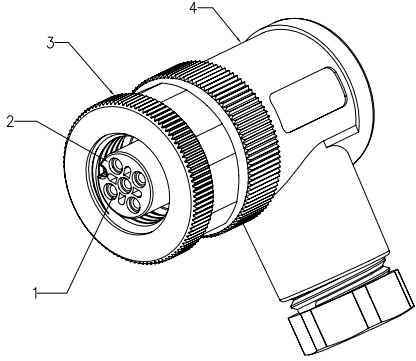
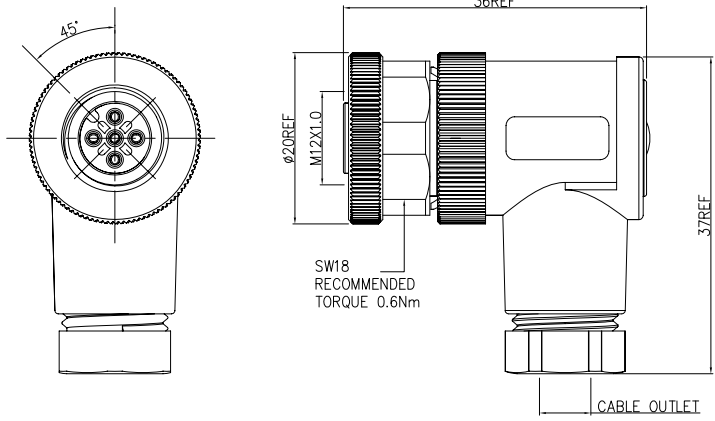


REV	LOCATIONS	DESCRIPTION	DATE	REVISER	APPD
0		New Release	24/APR		FRANK



- NOTES:
- MATERIAL:
    - No.1: CONTACT-BRONZE
    - No.2: HOUSING-PA/BLACK
    - No.3: NUT-BRASS
    - No.4: HOUSING BODY-PBT+GF
  - CONTACT FINISH:
    - GOLD OVER NICKEL OR SILVER OVER NICKEL
  - CABLE WIRES:
    - 18AWG/0.75mm<sup>2</sup> Max.FOR 2-5PINS
    - 20AWG/0.50mm<sup>2</sup> Max.FOR 8PINS
  - ALL DIMENSIONS ARE FOR NOMINAL REFERENCE ONLY UNLESS OTHERWISE STATED
  - CABLE OUTLET: PG7(CABLE FEED)4-6MM,PG9(CABLE FEED)6-8MM
  - PACKING: 1PC IN A BAG
  - ALL PRODUCT MUST COMPLIANCE WITH ROHS AND REACH.

TECHNICAL DATA	FCQ12004-A02P22XBK000	FCQ12004-A03P22XBK000	FCQ12004-A04P22XBK000	FCQ12004-A05P22XBK000	FCQ12004-A08P22XBK000
FEMALE INSERT(MATING SIDE)					
RATED VOLTAGE	250V	250V	250V	60V	30V
RATED CURRENT	4A	4A	4A	4A	2A
POLLUTION DEGREE	3	3	3	3	3
OVERVOLTAGE CATEGORY	II	II	II	II	II
MATERIAL GROUP	II	II	II	II	II
CONTACT RESISTANCE	≤8mΩ	≤8mΩ	≤8mΩ	≤8mΩ	≤8mΩ
INSULATION RESISTANCE	>100MΩ	>100MΩ	>100MΩ	>100MΩ	>100MΩ
DEGREE OF PROTECTION	IP67	IP67	IP67	IP67	IP67
OPERATION TEMPERATURE	-40~85°C	-40~85°C	-40~85°C	-40~85°C	-40~85°C

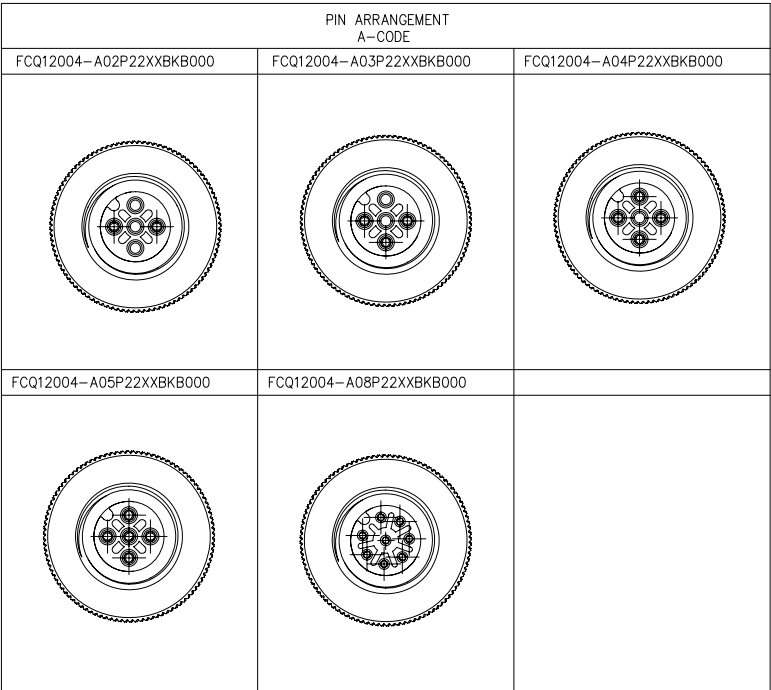
Ordering Information

FCQ 12 004 - A XX X X X X XX X XXX

1   Category FCQ-Quick Contact Header	2   Series Number 12-M12	3   Distinction No. 004	4   Coded A-A CODED	5   Circuits 02-2Circuits 03-3Circuits 04-4Circuits 05-5Circuits 08-8Circuits	6   Type P-Plug	7   Coupling Nut Type 1-Plastic 2-Copper 3-Stainless Steel
8   Contact Type 1-Solder Type 2-Screw Type 3-Crimp Type 4-IDC Type	9   Contact Plating 1-Gold Plated 2-Silver Plated	10   Pressing Screw 1-PG7 2-PG9	11   Housing Color BK-Black	12   Packaging B-Bag M- reel L-Tube	13   Version Number 000,001...	

 THIRD ANGLE PROJECTION  DESIGN UNITS Inch (metric)  SCALE 2:1 SIZE A4	GENERAL TOLERANCES (UNLESS SPECIFIED)		APPROVE BY FRANK	DATE 21/APR/20	PART NO. FCQ12004-AXXP22XBK000	ITEM NO. FCQ12004	 Leader Of Industry  REV 0 SHEET NO. 1/2
	X.±.012(0.30)	X.±5'	CHECKED BY CHERRY	DATE 21/APR/20	TITLE M12 FEMALE A CODE,RA UNSHIELDED CONNECTOR SCREW TERMINAL		
	X.X±.008(0.20)	.X'±2'	DRAWN BY DANIEL	DATE 21/APR/20	THIS DRAWING CONTAINS INFORMATION THAT IS PROPRIETARY TO TXGA INDUSTRIAL ELECTRONICS(S,Z)CO.,LTD AND SHOULD NOT BE USED WITHOUT WRITTEN PERMISSION		
	X.XX±.006(0.15)	.XX'±1'					
	X.XXX±.004(0.10)	.XXX'±0.5'					

REV	LOCATIONS	DESCRIPTION	DATE	REVISER	APPD
0		New Release	24/APR		FRANK



FCQ12004-AXXP22XXBKB000

Contacts	P/N	CABLE OUTLET
2	FCQ12004-A02P2211BKB000	4-6MM
2	FCQ12004-A02P2212BKB000	6-8MM
3	FCQ12004-A03P2211BKB000	4-6MM
3	FCQ12004-A03P2212BKB000	6-8MM
4	FCQ12004-A04P2211BKB000	4-6MM
4	FCQ12004-A04P2212BKB000	6-8MM
5	FCQ12004-A05P2211BKB000	4-6MM
5	FCQ12004-A05P2212BKB000	6-8MM
8	FCQ12004-A08P2211BKB000	4-6MM
8	FCQ12004-A08P2212BKB000	6-8MM

 THIRD ANGLE PROJECTION	GENERAL TOLERANCES (UNLESS SPECIFIED)		APPROVE BY FRANK	DATE 21/APR/20	PART NO. FCQ12004-AXXP22XXBKB000	ITEM NO. FCQ12004	 Leader Of Industry	
	X.±.012(0.30)	X.±5'	CHECKED BY CHERRY	DATE 21/APR/20	TITLE M12 FEMALE A CODE,RA UNSHIELDED CONNECTOR SCREW TERMINAL			REV 0
	DESIGN UNITS Inch (metric)	X.X±.008(0.20)	.X±2'	DRAWN BY DANIEL	DATE 21/APR/20	THIS DRAWING CONTAINS INFORMATION THAT IS PROPRIETARY TO TXGA INDUSTRIAL ELECTRONICS(S,Z)CO.,LTD AND SHOULD NOT BE USED WITHOUT WRITTEN PERMISSION		SHEET NO. 2/2
	SCALE 2:1	SIZE A4	X.XX±.006(0.15)					
		X.XXX±.004(0.10)						

1 2 3 4 5 6 7 8

A B C D E F

1 2 3 4 5 6 7 8

A B C D E F

## X-ON Electronics

Largest Supplier of Electrical and Electronic Components

*Click to view similar products for [Standard Circular Connector](#) category:*

*Click to view products by [TXGA](#) manufacturer:*

Other Similar products are found below :

[C015](#) [10F006](#) [001](#) [1](#) [5M2530B10P](#) [600247N007](#) [600259N006](#) [600273N007](#) [600432N009](#) [6280-2PG-519](#) [6280-3PG-311](#) [6280-3SG-311](#)  
[6280-7SG-3DC](#) [6280-7SG-522](#) [6282-5PG-311](#) [6282-6PG-519](#) [6282-8SG-311](#) [6283-11](#) [6283-15](#) [6290](#) [6293](#) [6382-2PG-311](#) [6382-2PG-3DC](#)  
[6382-2SG-321](#) [6382-2SG-3DC](#) [6382-4SG-516](#) [67-03E20-37P](#) [681-PMG](#) [CXS3102A14S2P](#) [CXS3102A181S](#) [CXS3106A14S6S](#)  
[D38999/20FC8SA L/C](#) [MB12P-1](#) [MB12R-6](#) [7251-2PG-300](#) [7251-2SG-300](#) [7251-4PG-300](#) [7251-4SG-300](#) [7251-5PG-300](#) [7251-5SG-300](#)  
[7251-6SG-300](#) [7251-7PG-300](#) [7251-8PG-300](#) [7271-6SG-300](#) [7282-3PG-300-CH3](#) [73000005663](#) [75-190011-03P](#) [75-190216-08S](#) [75-190218-](#)  
[10P](#) [75-214636-52P](#) [75-474118-10P](#) [75-474211-03P](#) [75-474218-19S](#)