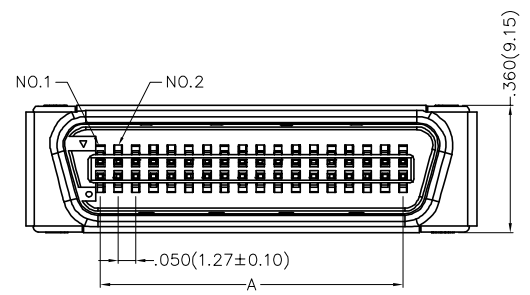
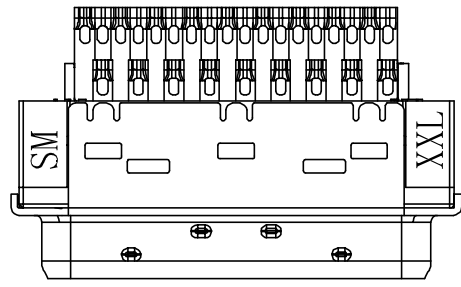
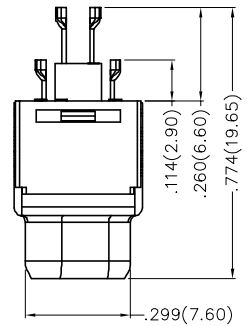
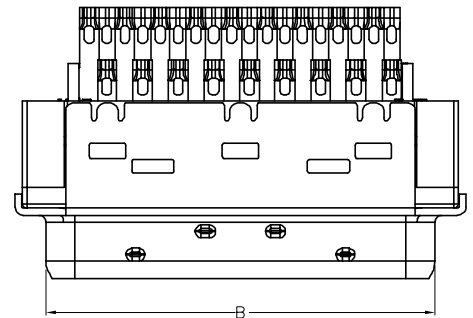
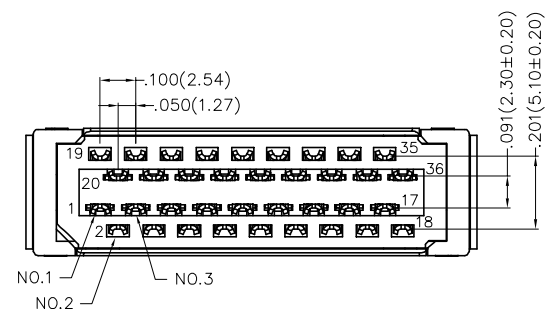


REV	LOCATIONS	DESCRIPTION	DATE	REVISER	APPD

SPECIFICATIONS

Electrical
 Current Rating: 1A AC(rms)/DC
 Voltage Rating: 40V AC(rms) 500V DC
 Contact Resistance: 35 mΩ Max
 Insulation Resistance: 200 MΩ Min
 Withstanding Voltage: 500V AC r.m.s
 Temperature Range-Operating: -25°C~+85°C

Material and Plating
 Housing: PBT (UL 94V-0), Black
 Contact: Phosphor Bronze/ Selective gold in contact area, tin on tail
 Cover: Copper Alloy/ Nickel plated
 Shell: SPCC/ Nickel plated



Ordering Information

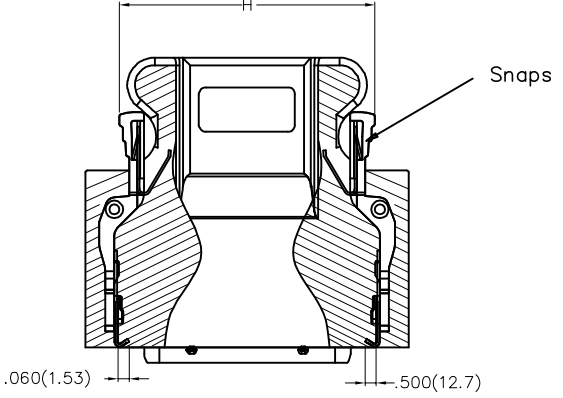
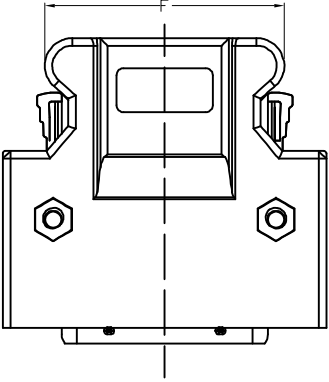
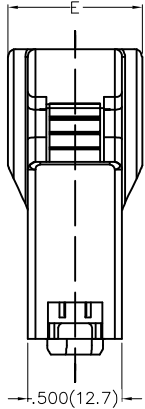
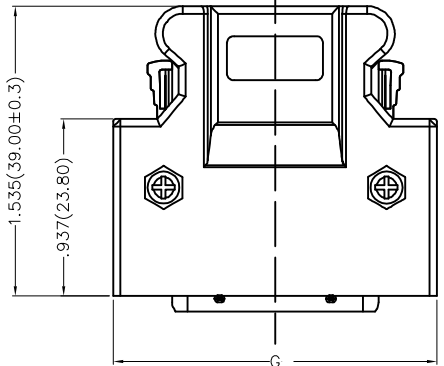
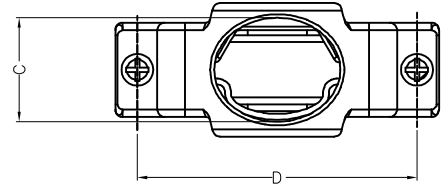
FCS XX 06 - M0 W S 3 XX K6 K
 1 2 3 4 5 6 7 8 9 10

1	Category FCS-SCSI	2	Circuits XX	3	Distinction No. 06	4	Type M0-Male	5	Assembly Layout W-Welding Type	6	Entry Angle S-180° Vertical
7	Plating 3-Selective gold in contact area, bright tin on tail		8	Thickness of Plating 00-Gold flash 03-3μ" Custom plate available		9	Color-Resin K6-Black		10	Packaging K-Tray	

 THIRD ANGLE PROJECTION DESIGN UNITS Inch (metric) SCALE 5:1 SIZE A4	GENERAL TOLERANCES (UNLESS SPECIFIED)		APPROVE BY FRANK	DATE 19/JUL/13	PART NO. FCSXX06-MOWS3XXK6K	ITEM NO. FCSXX06	 Leader Of Industry REV 0 SHEET NO. 1/2 THIS DRAWING CONTAINS INFORMATION THAT IS PROPRIETARY TO TXGA INDUSTRIAL ELECTRONICS(S.Z)CO.,LTD AND SHOULD NOT BE USED WITHOUT WRITTEN PERMISSION
	X.±.012(0.30)	X.±5°	CHECKED BY CHERRY	DATE 19/JUL/13	TITLE SCSI Connector Pitch 1.27mm 180° Vertical Male		
	X.XX±.008(0.20)	.X'±2'	DRAWN BY KEVIN	DATE 19/JUL/13			
	X.XX±.006(0.15)	.XX'±1'					
		X.XXX±.004(0.10)	.XXX'±0.5'				

REV	LOCATIONS	DESCRIPTION	DATE	REVISER	APPD

Material—Cover
 Plastic cover: PBT (UL 94V-0), Black
 Clamp: SPCC



Circuits (n)	Part No.	Dimensions(in/mm)							
		A	B	C	D	E	F	G	H
14	FCS1406-MOWS3XXK6K	.300(7.62)	.543(13.80)	.276(7.00)	.929(23.60)	.500(12.70)	.717(18.20)	1.161(29.50)	.801(20.34)
20	FCS2006-MOWS3XXK6K	.450(11.43)	.693(17.61)	.394(10.00)	1.079(27.40)	.551(14.00)	.868(22.05)	1.313(33.35)	.952(24.19)
26	FCS2606-MOWS3XXK6K	.600(15.24)	.843(21.42)	.394(10.00)	1.232(31.30)	.551(14.00)	1.018(25.86)	1.463(37.16)	1.102(28.00)
36	FCS3606-MOWS3XXK6KA	.850(21.59)	1.093(27.77)	.394(10.00)	1.481(37.61)	.709(18.00)	1.268(32.21)	1.713(43.51)	1.352(34.35)
	.551(14.00)								
50	FCS5006-MOWS3XXK6K	1.200(30.48)	1.443(36.66)	.551(14.00)	1.831(46.50)	.709(18.00)	1.618(41.10)	2.063(52.40)	1.702(43.24)

 THIRD ANGLE PROJECTION	GENERAL TOLERANCES (UNLESS SPECIFIED)		APPROVE BY	DATE	PART NO.	ITEM NO.	 Leader Of Industry	
	X.±.012(0.30)	X.±5°	FRANK	19/JUL/13	FCSXX06-MOWS3XXK6K	FCSXX06		
	DESIGN UNITS Inch (metric)	X.X±.008(0.20)	X.±2'	CHECKED BY	DATE	TITLE		
	SCALE	X.XX±.006(0.15)	.XX±1'	CHERRY	19/JUL/13	SCSI Connector Pitch 1.27mm 180° Vertical Male		
SIZE	X.XXX±.004(0.10)	.XXX±0.5°	DRAWN BY	DATE	THIS DRAWING CONTAINS INFORMATION THAT IS PROPRIETARY TO TXGA INDUSTRIAL ELECTRONICS(S.Z)CO.,LTD AND SHOULD NOT BE USED WITHOUT WRITTEN PERMISSION		REV 0	SHEET NO. 2/2
5:1	A4		KEVIN	19/JUL/13				

X-ON Electronics

Largest Supplier of Electrical and Electronic Components

Click to view similar products for [D-Sub Standard Connectors](#) category:

Click to view products by [TXGA](#) manufacturer:

Other Similar products are found below :

[015-0339-000](#) [015-0341-000](#) [015-0349-000](#) [015-0350-000](#) [015-8544-011](#) [015-8755-001](#) [017041-0005](#) [020419-0104](#) [609-25P](#) [609-9P](#) [CT0-24-10SC](#) [CT0-36-3PC](#) [CT0E20-8PS](#) [CT0F16S-1PS](#) [CT0TA16-11SXCA232](#) [CT1E20-19SS](#) [CT2-10SL-3SC](#) [CT2-14S-2PCA34](#) [CT2-18-11PCAU](#) [CT2-22-19SC](#) [CT2-36-5PC](#) [CT6-10SL-3SC](#) [CT6-10SL-4SC](#) [CT6-14S-2SC](#) [CT6-16-12SC](#) [CT6-18-10PSA206](#) [CT6-18-10PSA232](#) [CT6-18-11PXSA206](#) [CT6-18-11PXSA232](#) [CT6-22-10PS](#) [CT6-24-5PC](#) [CT6-9767-18-8-18-4SS](#) [CT6E14S-5SC](#) [CT6E14SA7SC](#) [CT6E20-14SS](#) [CT6E22-14PC](#) [CT6E22-14PS](#) [CT6E22-19PS](#) [CT6E22-22PS](#) [CT6E24-10SC](#) [CT6F16S-1SC](#) [CT6FA10SL-4PS](#) [CT6LA20-19PC](#) [CT6M20-19SS](#) [CT6NSB4-20-8SS](#) [CT6TC14S-6SCAU](#) [CT6TC14S-7PS](#) [6STD15SCT99S40X](#) [6STF09PCM05B70X](#) [D20420-80](#)