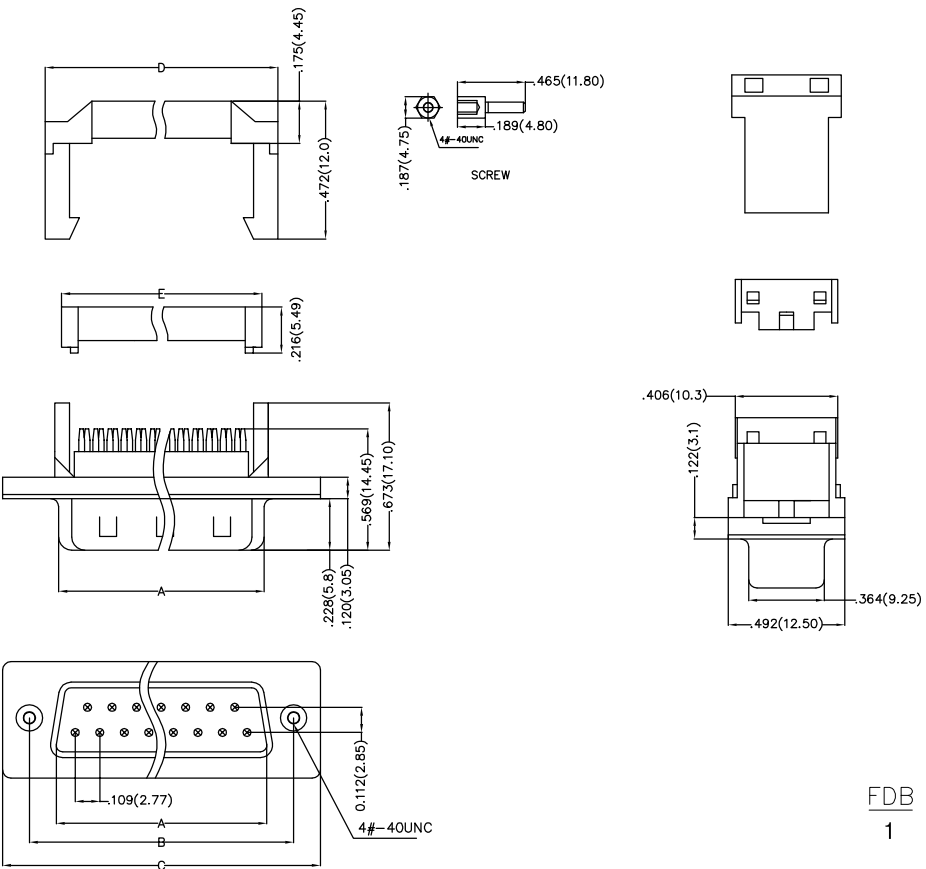


REV	LOCATIONS	DESCRIPTION	DATE	REVISER	APPD



Pin	Dimensions(in./mm)				
	A	B	C	D	E
9	0.669(17.00)	0.984(25.00)	1.216(30.80)	0.727(18.42)	0.591(15.01)
15	1.000(25.40)	1.311(33.31)	1.540(39.11)	1.029(26.14)	0.918(23.32)
25	1.534(38.96)	1.852(47.04)	2.088(53.04)	1.588(40.34)	1.475(37.47)
37	2.182(55.42)	2.500(63.50)	2.738(69.55)	2.226(56.54)	2.105(53.47)

Ordering Information

FDB B 01 - XX M0 S 3 XX XX K
 1 2 3 4 5 6 7 8 9 10

1	Series Name FDB- D-SUB	2	Assembly Layout B-Bump	3	Distinction No. 01	4	No. of pins 09,15,25,37	5	Type Male-M0
6	Entry Type S-Top Entry Type	7	Plating 3-Half Gold/Tin	8	Thickness of Plating Gold Plating-00 3u"-03..... Custom Plate Available	9	Plastic Colour K6-Black U1-Blue	10	Packaging K-PE Tray

SPECIFICATIONS

- Electrical
- 1.Current Rating: 3A AC(rms)/DC
 - 2.Voltage Rating: 250V AC(rms)/DC
 - 3.Contact Resistance: 25 mΩ Max
 - 4.Insulation Resistance: 1000 MΩ MIN
 - 5.Withstanding Voltage: 500V AC r.m.s
 - 6.Temperature Range-Operating: -55°C~+105°C

Material and Finish

- 1.Housing: PBT UL 94V-0
- 2.Contact: Copper Alloy/Gold Flash Plated On Contact Area Tin Plated On Solderails, Nickel Under Plated Over All/Gold Plated Options
- 3.Shell: Spcc/Nickel Plated Over All
- 4.Screws: Copper Alloy/Nickel Plated Over All

<p>THIRD ANGLE PROJECTION</p>	GENERAL TOLERANCES (UNLESS SPECIFIED)		APPROVE BY FRANK	DATE 28/JUN/13	PART NO. FDBB01-XXM0S3XXXK	ITEM NO. FDBB01	<p>Leader Of Industry</p>	
	DESIGN UNITS Inch (metric)	X.±.012(0.30)	X.±5'	CHECKED BY JACOB	DATE 28/JUN/13	TITLE D-SUB MALE BUMP TYPE CONN		
	SCALE 5:1	X.XX±.008(0.20)	.X'±2'	DRAWN BY CHERRY	DATE 28/JUN/13	THIS DRAWING CONTAINS INFORMATION THAT IS PROPRIETARY TO TXGA INDUSTRIAL ELECTRONICS(S.Z)CO.,LTD AND SHOULD NOT BE USED WITHOUT WRITTEN PERMISSION		
	SIZE A4	X.XX±.006(0.15)	.XX'±1'			REV 0		SHEET NO. 1/1

X-ON Electronics

Largest Supplier of Electrical and Electronic Components

Click to view similar products for [D-Sub Standard Connectors](#) category:

Click to view products by [TXGA](#) manufacturer:

Other Similar products are found below :

[015-0339-000](#) [015-0341-000](#) [015-0349-000](#) [015-0350-000](#) [015-8544-011](#) [015-8755-001](#) [017041-0005](#) [020419-0104](#) [609-25P](#) [609-9P](#)
[M24308/2-23Z](#) [CT0-24-10SC](#) [CT0-36-3PC](#) [CT0E20-8PS](#) [CT0F16S-1PS](#) [CT0TA16-11SXCA232](#) [CT1E20-19SS](#) [CT2-10SL-3SC](#) [CT2-14S-2PCA34](#) [CT2-18-11PCAU](#) [CT2-22-19SC](#) [CT2-36-5PC](#) [CT6-10SL-3SC](#) [CT6-10SL-4SC](#) [CT6-14S-2SC](#) [CT6-16-12SC](#) [CT6-18-10PSA206](#)
[CT6-18-10PSA232](#) [CT6-18-11PXSA206](#) [CT6-18-11PXSA232](#) [CT6-22-10PS](#) [CT6-24-5PC](#) [CT6-9767-18-8-18-4SS](#) [CT6E14S-5SC](#)
[CT6E14SA7SC](#) [CT6E20-14SS](#) [CT6E22-14PC](#) [CT6E22-14PS](#) [CT6E22-19PS](#) [CT6E22-22PS](#) [CT6E24-10SC](#) [CT6F16S-1SC](#) [CT6FA10SL-4PS](#)
[CT6LA20-19PC](#) [CT6M20-19SS](#) [CT6NSB4-20-8SS](#) [CT6TC14S-6SCAU](#) [CT6TC14S-7PS](#) [6STD15SCT99S40X](#) [6STF09PCM05B70X](#)