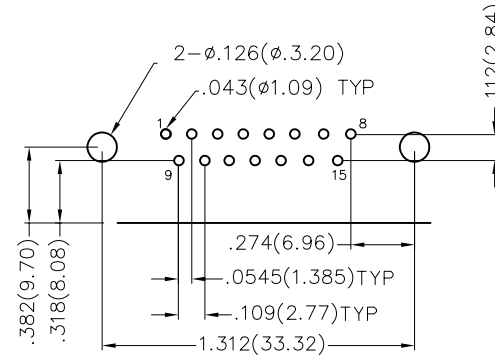
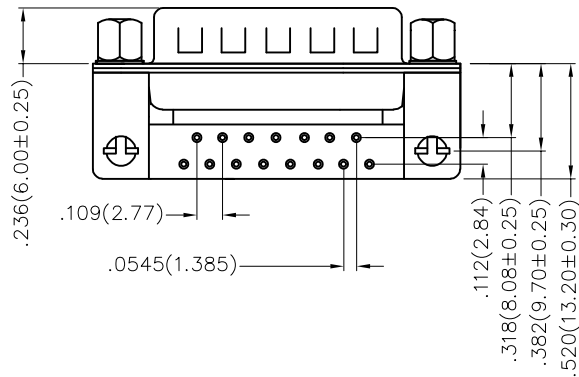
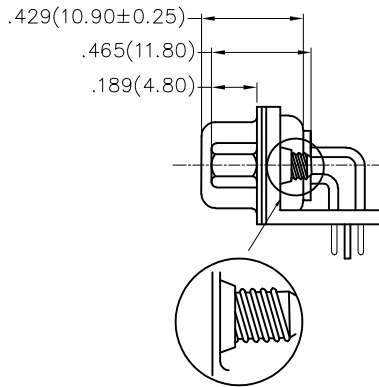
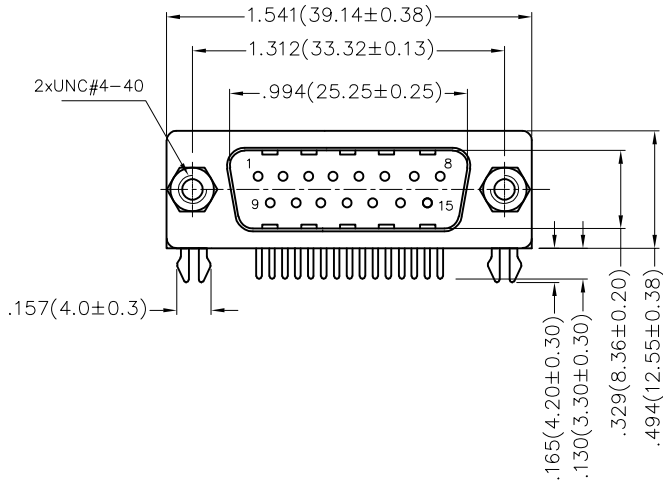


REV	LOCATIONS	DESCRIPTION	DATE	REVISER	APPD

A  
B  
C  
D  
E  
F

A  
B  
C  
D  
E  
F



Recommended P.C.Board Layout

Ordering Information

FDM 15 01 — M0 D B 1 XX XX X  
 1 2 3 4 5 6 7 8 9 10

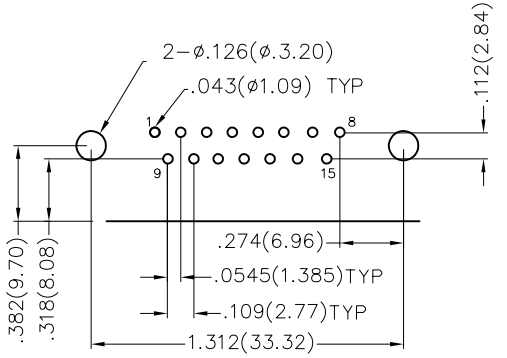
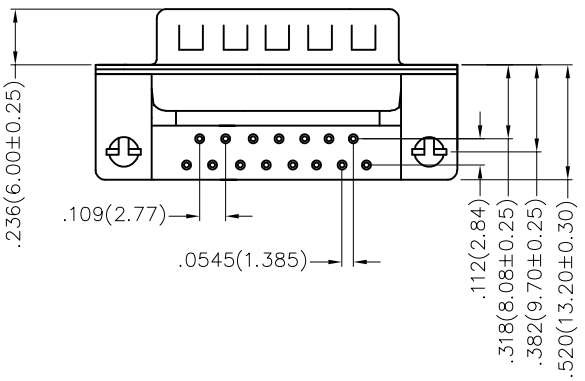
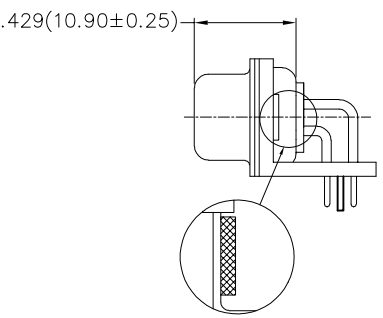
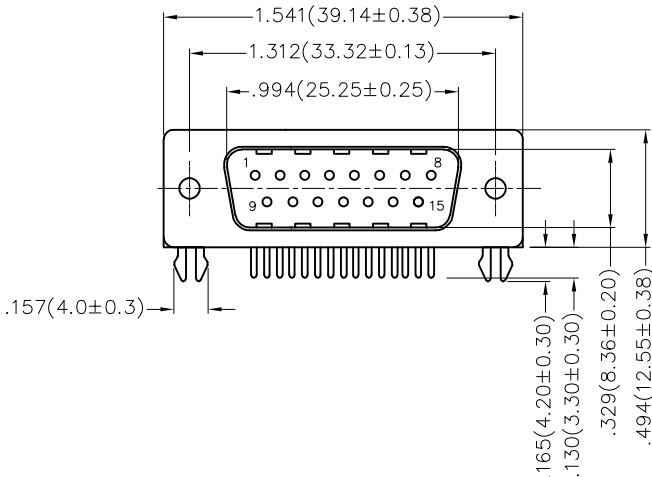
Materials And Finish  
 Shell: Spcc Material, Front Nickel Plated 80µ" Min  
 Back Shell: SPCC, Tin Plated 100µ" Min  
 Insulator: Glass Filled Thermoplastic, UL 94V-0  
 Contact Material: Brass /Gold Plated  
 Electrical Characteristic  
 Current Rating: 7.5A  
 Voltage Rating: 300V  
 Contact Resistance: 5mΩ Max  
 Dielectric Withstanding Voltage : 1000V AC r.m.s  
 Insulation Resistance: 5000 MΩ Min.  
 Temperature Range—Operating: -55°C ~ +105°C

1	Category	2	Circuits	3	Distinction No.	4	Type	5	Assembly Layout	6	Entry Angle
	FDM—Machined pin D—SUB connector		15		01		MO—Male		D—DIP		B—90° Angle
7	Plating	8	Thickness of Plating	9	Color—Resin	10	Packaging				
	1—Gold Plated		01—1µ" 03—3µ" Custom plate available		W1—White K6—Black		K—Tray L—Tube				

 THIRD ANGLE PROJECTION	GENERAL TOLERANCES (UNLESS SPECIFIED)		APPROVE BY FRANK	DATE 28/JUN/13	PART NO. FDM1501—MODB1XXXXX	ITEM NO. FDM1501—M0	 Leader Of Industry	
	X.±.012(0.30)	X.±5'	CHECKED BY JACOB	DATE 28/JUN/13	TITLE Machined pin D—SUB connector 90° Angle Male			REV 0
	DESIGN UNITS Inch (metric)	X.X±.008(0.20)	.X'±2'	DRAWN BY CHERRY	DATE 28/JUN/13	THIS DRAWING CONTAINS INFORMATION THAT IS PROPRIETARY TO TXGA INDUSTRIAL ELECTRONICS(S.Z)CO.,LTD AND SHOULD NOT BE USED WITHOUT WRITTEN PERMISSION		
	SCALE 5:1	SIZE A4	X.XX±.006(0.15)	.XX'±1'				

1 2 3 4 5 6 7 8

REV	LOCATIONS	DESCRIPTION	DATE	REVISER	APPD



Recommended P.C.Board Layout

Ordering Information

FDM 15 01 — M0 D B 1 XX XX X B  
 1 2 3 4 5 6 7 8 9 10 11

Materials And Finish  
 Shell: Spcc Material, Front Nickel Plated 80μ" Min  
 Back Shell: SPCC, Tin Plated 100μ" Min  
 Insulator: Glass Filled Thermoplastic, UL 94V-0  
 Contact Material: Brass /Gold Plated  
 Electrical Characteristic  
 Current Rating: 7.5A  
 Voltage Rating: 300V  
 Contact Resistance: 5mΩ Max  
 Dielectric Withstanding Voltage :1000V AC r.m.s  
 Insulation Resistance: 5000 MΩ Min.  
 Temperature Range-Operating: -55°C ~ +105°C

1	Category	2	Circuits	3	Distinction No.	4	Type	5	Assembly Layout	6	Entry Angle
	FDM-Machined pin D-SUB connector		15		01		MO-Male		D-DIP		B-90° Angle
7	Plating	8	Thickness of Plating	9	Color-Resin	10	Packaging	11	Distinction Type		
	1-Gold Plated		01-1μ" 03-3μ" Custom plate available		W1-White K6-Black		K-Tray L-Tube		B-B Type		

 THIRD ANGLE PROJECTION DESIGN UNITS Inch (metric) SCALE 5:1 SIZE A4	GENERAL TOLERANCES (UNLESS SPECIFIED)		APPROVE BY	DATE	PART NO.	ITEM NO.	 Leader Of Industry REV 0 SHEET NO. 1/1 THIS DRAWING CONTAINS INFORMATION THAT IS PROPRIETARY TO TXGA INDUSTRIAL ELECTRONICS(S.Z)CO.,LTD AND SHOULD NOT BE USED WITHOUT WRITTEN PERMISSION
	X.±.012(0.30)	X.±5'	FRANK	28/JUN/13	FDM1501-MODB1XXXXXB	FDM1501-M0	
	X.X±.008(0.20)	.X'±2'	CHECKED BY	DATE	TITLE		
	X.XX±.006(0.15)	.XX'±1'	JACOB	28/JUN/13	Machined pin D-SUB connector 90° Angle Male		
	X.XXX±.004(0.10)	.XXX'±0.5'	DRAWN BY	DATE			
			CHERRY	28/JUN/13			

REV	LOCATIONS	DESCRIPTION	DATE	REVISER	APPD

A

B

C

D

E

F

A

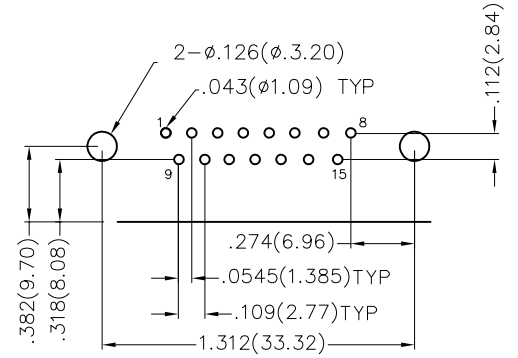
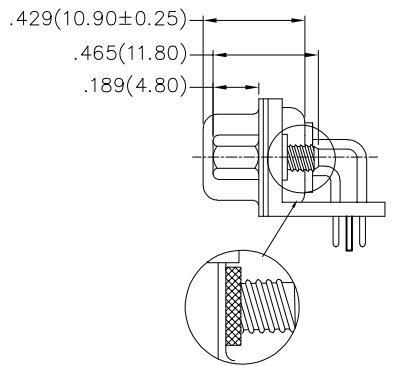
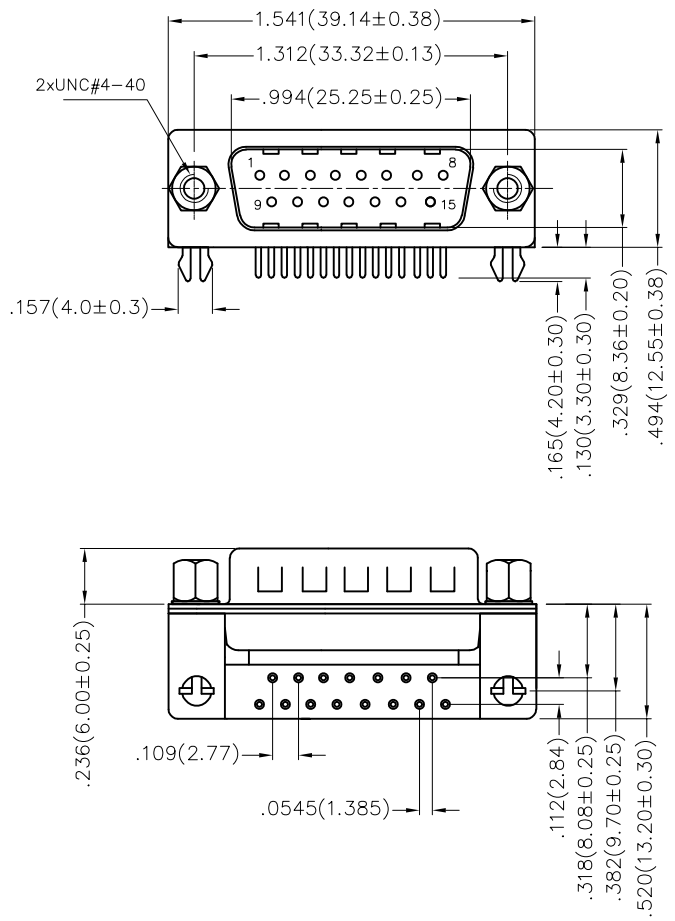
B

C

D

E

F



Recommended P.C.Board Layout

### Ordering Information

FDM 15 01 — M0 D B 1 XX XX X C  
 1 2 3 4 5 6 7 8 9 10 11

**Materials And Finish**  
 Shell: Spcc Material, Front Nickel Plated 80μ" Min  
 Back Shell: SPCC, Tin Plated 100μ" Min  
 Insulator: Glass Filled Thermoplastic, UL 94V-0  
 Contact Material: Brass /Gold Plated  
**Electrical Characteristic**  
 Current Rating: 7.5A  
 Voltage Rating: 300V  
 Contact Resistance: 5mΩ Max  
 Dielectric Withstanding Voltage :1000V AC r.m.s  
 Insulation Resistance: 5000 MΩ Min.  
 Temperature Range—Operating: -55°C ~ +105°C

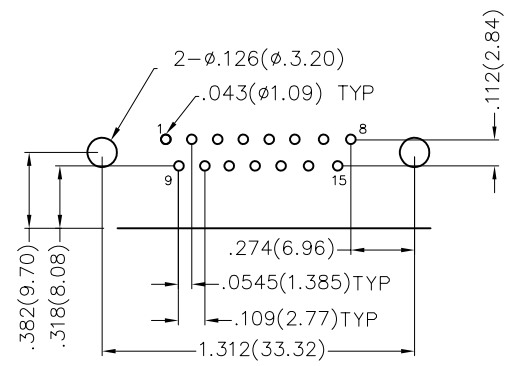
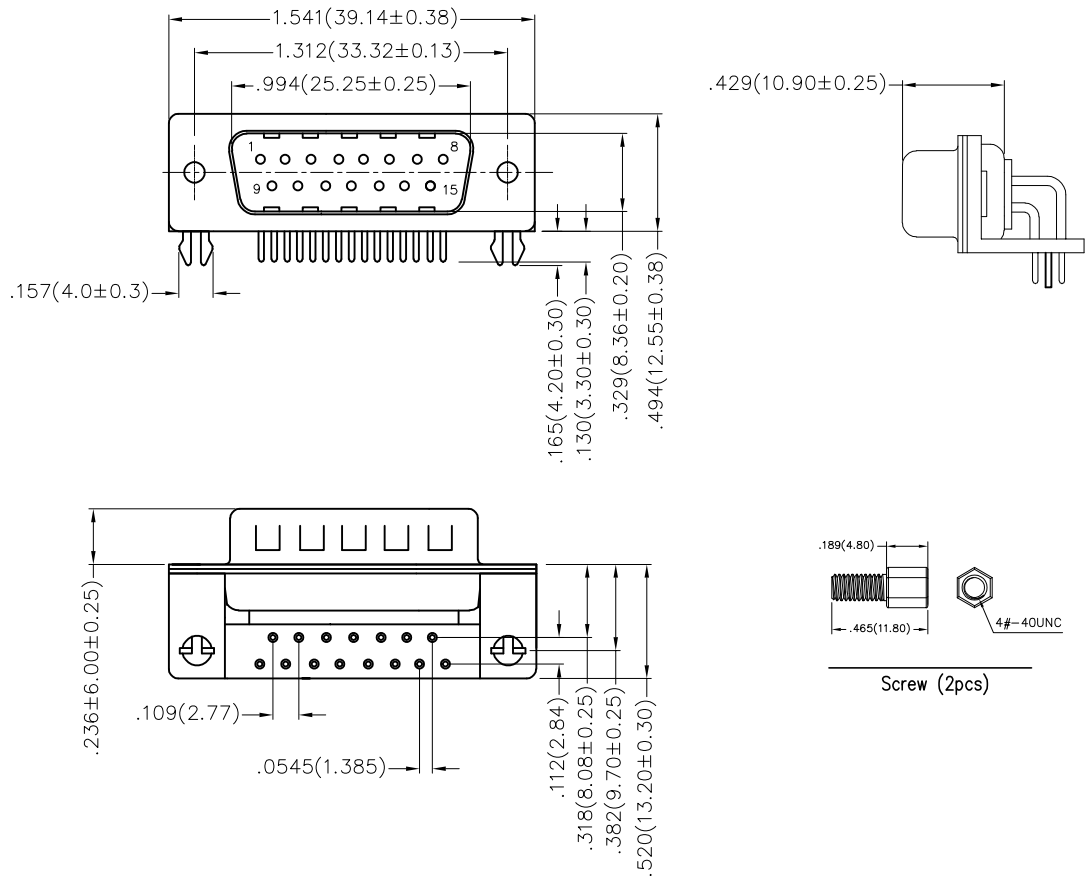
1	Category	2	Circuits	3	Distinction No.	4	Type	5	Assembly Layout	6	Entry Angle
	FDM—Machined pin D—SUB connector		15		01		MO—Male		D—DIP		B—90° Angle
7	Plating	8	Thickness of Plating	9	Color—Resin	10	Packaging	11	Distinction Type		
	1—Gold Plated		01—1μ" 03—3μ" Custom plate available		W1—White K6—Black		K—Tray L—Tube		C—C Type		

 THIRD ANGLE PROJECTION	GENERAL TOLERANCES (UNLESS SPECIFIED)		APPROVE BY	DATE	PART NO.	ITEM NO.	 Leader Of Industry
	X.±.012(0.30)	X.±5'	FRANK	28/JUN/13	FDM1501—MODB1XXXXXC	FDM1501—M0	
DESIGN UNITS Inch (metric)	X.X±.008(0.20)	.X'±2'	CHECKED BY	DATE	TITLE		
SCALE	X.XX±.006(0.15)	.XX'±1'	JACOB	28/JUN/13	Machined pin D—SUB connector 90° Angle Male		REV 0
SIZE	X.XXX±.004(0.10)	.XXX'±0.5'	DRAWN BY	DATE	THIS DRAWING CONTAINS INFORMATION THAT IS PROPRIETARY TO TXGA INDUSTRIAL ELECTRONICS(S.Z)CO.,LTD AND SHOULD NOT BE USED WITHOUT WRITTEN PERMISSION		SHEET NO. 1/1
5:1			CHERRY	28/JUN/13			

REV	LOCATIONS	DESCRIPTION	DATE	REVISER	APPD

A  
B  
C  
D  
E  
F

A  
B  
C  
D  
E  
F



Recommended P.C. Board Layout

Ordering Information

FDM 15 01 - M0 D B 1 XX XX X D  
1 2 3 4 5 6 7 8 9 10 11

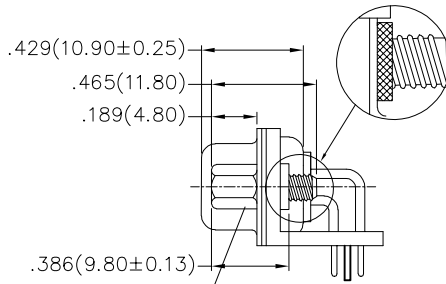
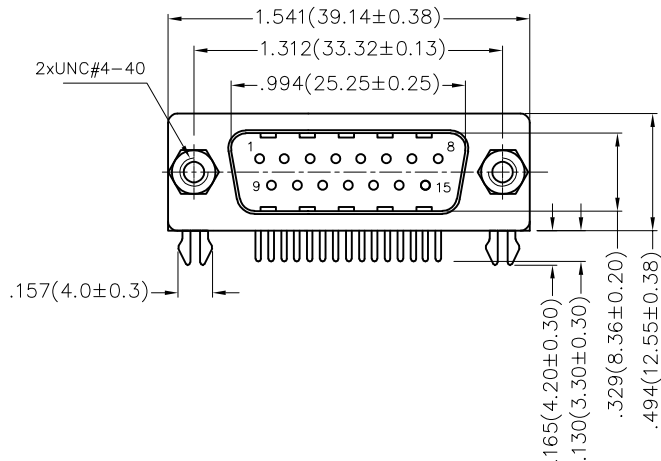
Materials And Finish  
 Shell: Spcc Material, Front Nickel Plated 80 $\mu$ " Min  
 Back Shell: SPCC, Tin Plated 100 $\mu$ " Min  
 Insulator: Glass Filled Thermoplastic, UL 94V-0  
 Contact Material: Brass /Gold Plated  
 Electrical Characteristic  
 Current Rating: 7.5A  
 Voltage Rating: 300V  
 Contact Resistance: 5m $\Omega$  Max  
 Dielectric Withstanding Voltage : 1000V AC r.m.s  
 Insulation Resistance: 5000 M $\Omega$  Min.  
 Temperature Range-Operating: -55 $^{\circ}$ C ~ +105 $^{\circ}$ C

1	Category	2	Circuits	3	Distinction No.	4	Type	5	Assembly Layout	6	Entry Angle
	FDM-Machined pin D-SUB connector		15		01		MO-Male		D-DIP		B-90° Angle
7	Plating	8	Thickness of Plating	9	Color-Resin	10	Packaging	11	Distinction Type		
	1-Gold Plated		01-1 $\mu$ " 03-3 $\mu$ " Custom plate available		W1-White K6-Black		K-Tray L-Tube		D-D Type		

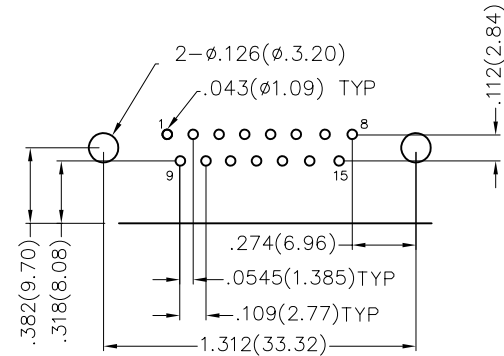
<p>THIRD ANGLE PROJECTION</p>	GENERAL TOLERANCES (UNLESS SPECIFIED)		APPROVE BY	DATE	PART NO.	ITEM NO.	<p>Leader Of Industry</p>	
	X.±.012(0.30)	X.±5'	FRANK	28/JUN/13	FDM1501-MODB1XXXXXD	FDM1501-M0		
	DESIGN UNITS Inch (metric)	X.X±.008(0.20)	X.'±2'	CHECKED BY	DATE	TITLE		
	SCALE	X.XX±.006(0.15)	.XX'±1'	JACOB	28/JUN/13	Machined pin D-SUB connector 90° Angle Male		
SIZE	X.XXX±.004(0.10)	.XXX'±0.5'	DRAWN BY	DATE	THIS DRAWING CONTAINS INFORMATION THAT IS PROPRIETARY TO TXGA INDUSTRIAL ELECTRONICS(S.Z)CO.,LTD AND SHOULD NOT BE USED WITHOUT WRITTEN PERMISSION		REV 0	SHEET NO. 1/1
5:1			CHERRY	28/JUN/13				

1 2 3 4 5 6 7 8

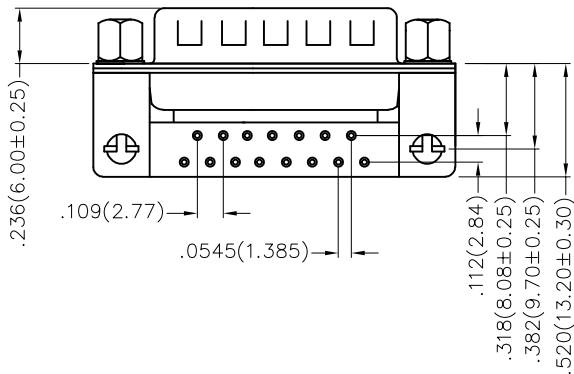
REV	LOCATIONS	DESCRIPTION	DATE	REVISER	APPD



\* Notes:  
Screws (Part No.: R-6AB-01A)  
Salt spray: 48H  
Torque force: 6kgf



Recommended P.C. Board Layout




Ordering Information

FDM 15 01 - M0 D B 1 XX XX X E  
1 2 3 4 5 6 7 8 9 10 11

Materials And Finish  
Shell: Spcc Material, Front Nickel Plated 80µ" Min  
Back Shell: SPCC, Tin Plated 100µ" Min  
Insulator: Glass Filled Thermoplastic, UL 94V-0  
Contact Material: Brass /Gold Plated  
Electrical Characteristic  
Current Rating: 7.5A  
Voltage Rating: 300V  
Contact Resistance: 5mΩ Max  
Dielectric Withstanding Voltage :1000V AC r.m.s  
Insulation Resistance: 5000 MΩ Min.  
Temperature Range-Operating: -55°C ~ +105°C

1	Category	2	Circuits	3	Distinction No.	4	Type	5	Assembly Layout	6	Entry Angle
	FDM-Machined pin D-SUB connector		15		01		MO-Male		D-DIP		B-90° Angle
7	Plating	8	Thickness of Plating	9	Color-Resin	10	Packaging	11	Distinction Type		
	1-Gold Plated		01-1µ" 03-3µ" Custom plate available		W1-White K6-Black		K-Tray L-Tube		E-E Type		

THIRD ANGLE PROJECTION	GENERAL TOLERANCES (UNLESS SPECIFIED)		APPROVE BY	DATE	PART NO.	ITEM NO.	 Leader Of Industry
	X.±.012(0.30)	X.±5'	FRANK	28/JUN/13	FDM1501-MODB1XXXXXE	FDM1501-M0	
DESIGN UNITS Inch (metric)	X.X±.008(0.20)	.X'±2'	CHECKED BY	DATE	TITLE		
SCALE	X.XX±.006(0.15)	.XX'±1'	JACOB	28/JUN/13	Machined pin D-SUB connector 90° Angle Male		REV 0 SHEET NO. 1/1
SIZE	X.XXX±.004(0.10)	.XXX'±0.5'	DRAWN BY	DATE	THIS DRAWING CONTAINS INFORMATION THAT IS PROPRIETARY TO TXGA INDUSTRIAL ELECTRONICS(S.Z)CO.,LTD AND SHOULD NOT BE USED WITHOUT WRITTEN PERMISSION		
5:1			CHERRY	28/JUN/13			

## X-ON Electronics

Largest Supplier of Electrical and Electronic Components

*Click to view similar products for [D-Sub Standard Connectors](#) category:*

*Click to view products by [TXGA](#) manufacturer:*

Other Similar products are found below :

[015-0339-000](#) [015-0341-000](#) [015-0349-000](#) [015-0350-000](#) [015-8544-011](#) [015-8755-001](#) [017041-0005](#) [020419-0104](#) [609-25P](#) [609-9P](#) [CT0-24-10SC](#) [CT0-36-3PC](#) [CT0E20-8PS](#) [CT0F16S-1PS](#) [CT0TA16-11SXCA232](#) [CT1E20-19SS](#) [CT2-10SL-3SC](#) [CT2-14S-2PCA34](#) [CT2-18-11PCAU](#) [CT2-22-19SC](#) [CT2-36-5PC](#) [CT6-10SL-3SC](#) [CT6-10SL-4SC](#) [CT6-14S-2SC](#) [CT6-16-12SC](#) [CT6-18-10PSA206](#) [CT6-18-10PSA232](#) [CT6-18-11PXSA206](#) [CT6-18-11PXSA232](#) [CT6-22-10PS](#) [CT6-24-5PC](#) [CT6-9767-18-8-18-4SS](#) [CT6E14S-5SC](#) [CT6E14SA7SC](#) [CT6E20-14SS](#) [CT6E22-14PC](#) [CT6E22-14PS](#) [CT6E22-19PS](#) [CT6E22-22PS](#) [CT6E24-10SC](#) [CT6F16S-1SC](#) [CT6FA10SL-4PS](#) [CT6LA20-19PC](#) [CT6M20-19SS](#) [CT6NSB4-20-8SS](#) [CT6TC14S-6SCAU](#) [CT6TC14S-7PS](#) [6STD15SCT99S40X](#) [6STF09PCM05B70X](#) [D20420-80](#)