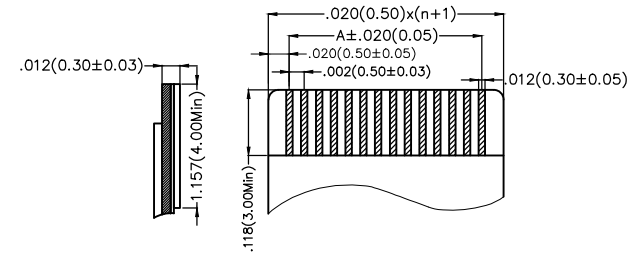
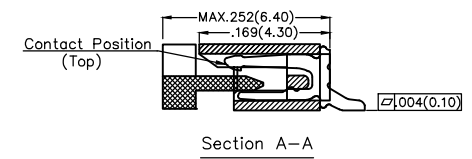
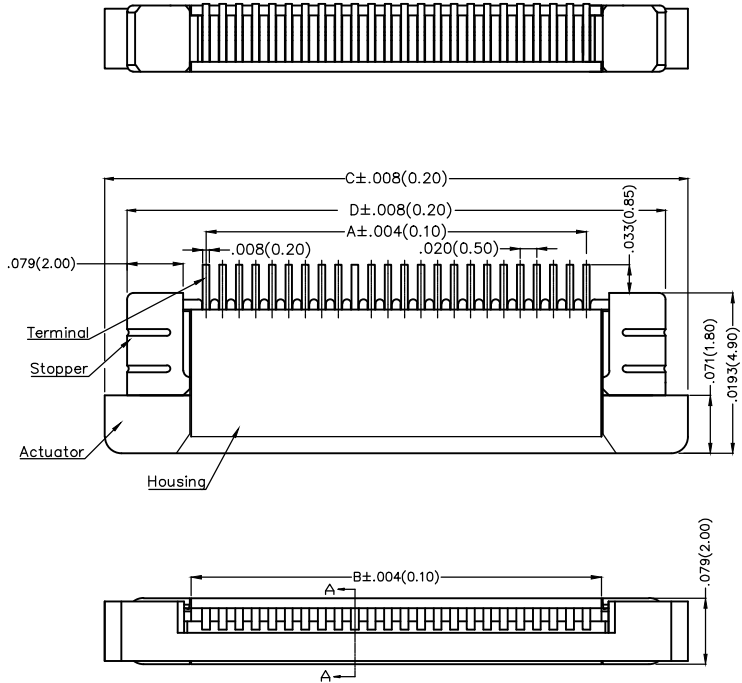


| REV | LOCATIONS | DESCRIPTION | DATE | REVISED | APPD |
|-----|-----------|-------------|------|---------|------|
|     |           |             |      |         |      |

**SPECIFICATIONS**

**Electrical**  
 Current Rating: 0.5A AC(rms)/DC  
 Voltage Rating: 50V AC(rms)/DC  
 Contact Resistance: 20 mΩ Max  
 Insulation Resistance: 500 MΩ MIN  
 Withstanding Voltage: 200V AC r.m.s  
 Temperature Range-Operating: -40°C~+85°C

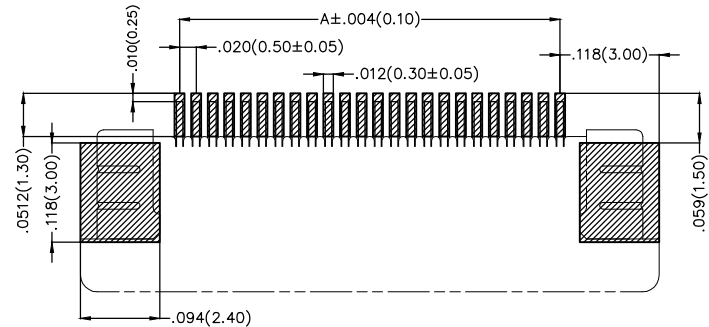
**Material and Plating**  
 Housing: Heat Resistant Polymer UL 94V-0  
 Actuator: Heat Resistant Polymer UL 94V-0  
 Contact: Phosphor Bronze/ Tin Plated  
 Stopper: Phosphor Bronze/ Tin Plated




**Ordering Information**

FFC 050 01 — XX S B A 1 X 4 W5 M  
 1 2 3 4 5 6 7 8 9 10 11 12

|                             |                                     |  |                             |   |                               |
|-----------------------------|-------------------------------------|--|-----------------------------|---|-------------------------------|
| 1 Category<br>FFC-FPC       | 2 Series Number<br>050-Pitch 0.50mm | 3 Distinction No.<br>01                    | 4 Circuits<br>XX            | 5 Assemble Layout<br>S-SMT                                | 6 Entry Angle<br>B- 90° Angle |
| 7 Contact Position<br>A-Top | 8 ZIF<br>1-ZIF                      | 9 Plating<br>2-Tin Plated<br>1-Gold Plated | 10 Material-Resin<br>4-PA9T | 11 Color-Resin<br>W5-Housing: Natural,<br>Actuator: Black | 12 Packaging<br>M-Reel        |



|                        |                                       |  |  |                     |  |   |   |
|------------------------|---------------------------------------|--|--|---------------------|--|---|---|
| THIRD ANGLE PROJECTION | GENERAL TOLERANCES (UNLESS SPECIFIED) |  | APPROVE BY<br>FRANK                      | DATE<br>18/JUN/13   | PART NO.<br>FFC05001-XXSBA1X4W5M   | ITEM NO.<br>FFC05001                                | <br>Leader Of Industry |
|                        | DESIGN UNITS<br>Inch (metric)         | X.X±.012(0.30)<br>X.XX±.008(0.20)<br>X.XX±.006(0.15)<br>X.XXX±.004(0.10) | X'±5'<br>.X'±2'<br>.XX'±1'<br>.XXX'±0.5' | CHECKED BY<br>JACOB | DATE<br>18/JUN/13  | TITLE<br>FPC/FFC connector 0.5mm<br>Top contact SMT |   |
| SCALE<br>5:1           | SIZE<br>A4                            | DRAWN BY<br>CHERRY   |  | DATE<br>18/JUN/13   | THIS DRAWING CONTAINS INFORMATION THAT IS PROPRIETARY TO TXGA INDUSTRIAL ELECTRONICS(S.Z)CO.,LTD AND SHOULD NOT BE USED WITHOUT WRITTEN PERMISSION |   |   |

1 2 3 4 5 6 7 8

| REV | LOCATIONS | DESCRIPTION | DATE | REVISED | APPD |
|-----|-----------|-------------|------|---------|------|
|     |           |             |      |         |      |

A

A

B

B

C

C

D

D



E

E

F

F

| Circuits (n) | Part No.             | Dimensions(in/mm) |             |             |             | Circuits (n) | Part No.             | Dimensions(in/mm) |             |              |             |
|--------------|----------------------|-------------------|-------------|-------------|-------------|--------------|----------------------|-------------------|-------------|--------------|-------------|
|              |                      | A                 | B           | C           | D           |              |                      | A                 | B           | C            | D           |
| 4            | FFC05001-04SBA1X4W5M | .059(1.50)        | .102(2.60)  | .295(7.50)  | .256(6.50)  | 20           | FFC05001-20SBA1X4W5M | .374(9.50)        | .417(10.60) | .610(15.50)  | .571(14.50) |
| 5            | FFC05001-05SBA1X4W5M | .079(2.00)        | .122(3.10)  | .315(8.00)  | .276(7.00)  | 21           | FFC05001-21SBA1X4W5M | .394(10.00)       | .437(11.10) | .630(16.00)  | .591(15.00) |
| 6            | FFC05001-06SBA1X4W5M | .098(2.50)        | .142(3.60)  | .335(8.50)  | .295(7.50)  | 22           | FFC05001-22SBA1X4W5M | .413(10.50)       | .457(11.60) | .650(16.50)  | .610(15.50) |
| 7            | FFC05001-07SBA1X4W5M | .118(3.00)        | .161(4.10)  | .354(9.00)  | .315(8.00)  | 24           | FFC05001-24SBA1X4W5M | .453(11.50)       | .496(12.60) | .690(17.50)  | .650(16.50) |
| 8            | FFC05001-08SBA1X4W5M | .138(3.50)        | .171(4.60)  | .374(9.50)  | .335(8.50)  | 25           | FFC05001-25SBA1X4W5M | .472(12.00)       | .516(13.10) | .709(18.00)  | .689(17.00) |
| 9            | FFC05001-09SBA1X4W5M | .157(4.00)        | .201(5.10)  | .394(10.00) | .354(9.00)  | 26           | FFC05001-26SBA1X4W5M | .492(12.50)       | .535(13.60) | .729(18.50)  | .689(17.50) |
| 10           | FFC05001-10SBA1X4W5M | .177(4.50)        | .221(5.60)  | .413(10.50) | .374(9.50)  | 27           | FFC05001-27SBA1X4W5M | .512(13.00)       | .555(14.10) | .748(19.00)  | .709(18.00) |
| 11           | FFC05001-11SBA1X4W5M | .197(5.00)        | .240(6.10)  | .433(11.00) | .394(10.00) | 28           | FFC05001-28SBA1X4W5M | .531(13.50)       | .575(14.60) | .768(19.50)  | .728(18.50) |
| 12           | FFC05001-12SBA1X4W5M | .217(5.50)        | .260(6.60)  | .452(11.50) | .413(10.50) | 29           | FFC05001-29SBA1X4W5M | .551(14.00)       | .595(15.10) | .787(20.00)  | .748(19.00) |
| 13           | FFC05001-13SBA1X4W5M | .236(6.00)        | .280(7.10)  | .472(12.00) | .433(11.00) | 30           | FFC05001-30SBA1X4W5M | .571(14.50)       | .614(15.60) | .807(20.50)  | .768(19.50) |
| 14           | FFC05001-14SBA1X4W5M | .256(6.50)        | .299(7.60)  | .492(12.50) | .453(11.50) | 32           | FFC05001-32SBA1X4W5M | .610(15.50)       | .654(16.60) | .846(21.50)  | .807(20.50) |
| 15           | FFC05001-15SBA1X4W5M | .276(7.00)        | .319(8.10)  | .512(13.00) | .472(12.00) | 33           | FFC05001-33SBA1X4W5M | .630(16.00)       | .673(17.10) | .866(22.00)  | .827(21.00) |
| 16           | FFC05001-16SBA1X4W5M | .295(7.50)        | .339(8.60)  | .531(13.50) | .492(12.50) | 34           | FFC05001-34SBA1X4W5M | .650(16.50)       | .693(17.60) | .886(22.50)  | .846(21.50) |
| 17           | FFC05001-17SBA1X4W5M | .315(8.00)        | .359(9.10)  | .551(14.00) | .512(13.00) | 35           | FFC05001-35SBA1X4W5M | .669(17.00)       | .713(18.10) | .905(23.00)  | .866(22.00) |
| 18           | FFC05001-18SBA1X4W5M | .335(8.50)        | .378(9.60)  | .571(14.50) | .531(13.50) | 36           | FFC05001-36SBA1X4W5M | .689(17.50)       | .732(18.60) | .925(23.50)  | .886(22.50) |
| 19           | FFC05001-19SBA1X4W5M | .354(9.00)        | .398(10.10) | .591(15.00) | .551(14.00) | 40           | FFC05001-40SBA1X4W5M | .768(19.50)       | .811(20.60) | 1.004(25.50) | .965(24.50) |

|   |  |                |                     |                    |   |  |   |               |
|---|--|----------------|---------------------|--------------------|---|--|---|---------------|
| <br>THIRD ANGLE<br>PROJECTION | GENERAL TOLERANCES<br>(UNLESS SPECIFIED) |                | APPROVE BY<br>FRANK | DATE<br>18/JUN/13  | PART NO.<br>FFC05001-XXSBA1X4W5M                    | ITEM NO.<br>FFC05001   | <br>Leader Of Industry |               |
|   | X.±.012(0.30)                            | X.±5'          | CHECKED BY<br>JACOB | DATE<br>18/JUN/13  | TITLE<br>FPC/FFC connector 0.5mm<br>Top contact SMT | REV 0  |   | SHEET NO. 2/5 |
|   | DESIGN UNITS<br>Inch (metric)            | X.X±.008(0.20) | .X±2'               | DRAWN BY<br>CHERRY | DATE<br>18/JUN/13                                   | THIS DRAWING CONTAINS INFORMATION THAT IS PROPRIETARY TO TXGA INDUSTRIAL ELECTRONICS(S.Z)CO.,LTD AND SHOULD NOT BE USED WITHOUT WRITTEN PERMISSION |   |               |
|   | SCALE<br>5:1                             | SIZE<br>A4     | X.XX±.006(0.15)     | .XX±1'             | X.XXX±.004(0.10)                                    | .XXX±0.5'  |   |               |

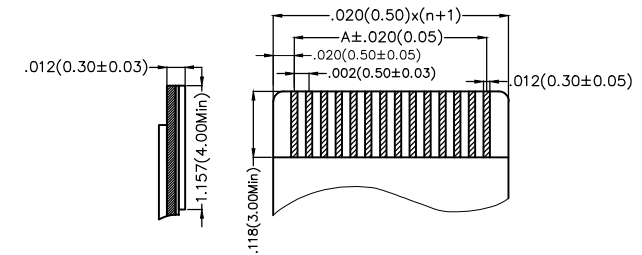
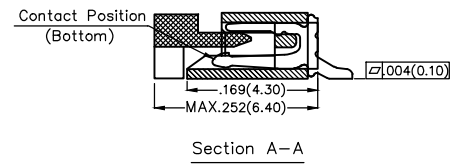
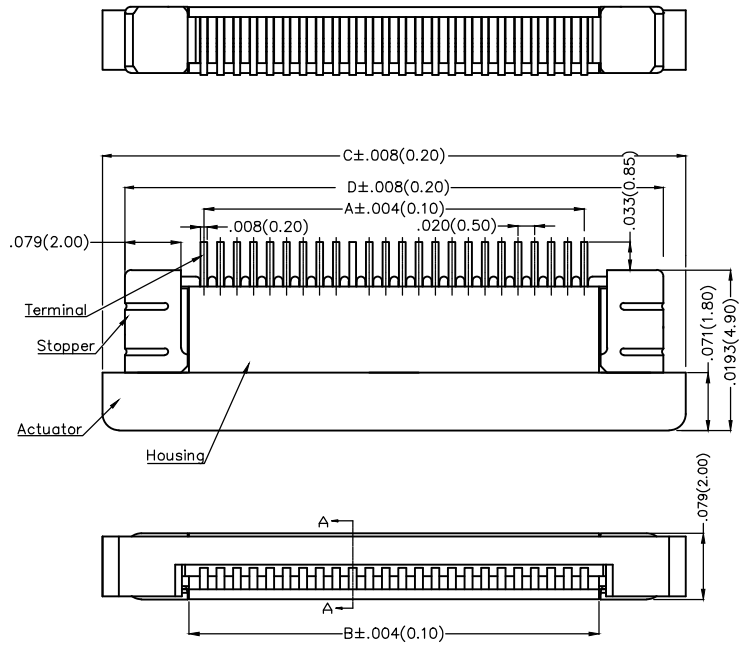
1 2 3 4 5 6 7 8

| REV | LOCATIONS | DESCRIPTION | DATE | REVISED | APPD |
|-----|-----------|-------------|------|---------|------|
|     |           |             |      |         |      |

**SPECIFICATIONS**

**Electrical**  
 Current Rating: 0.5A AC(rms)/DC  
 Voltage Rating: 50V AC(rms)/DC  
 Contact Resistance: 20 mΩ Max  
 Insulation Resistance: 500 MΩ MIN  
 Withstanding Voltage: 200V AC r.m.s  
 Temperature Range-Operating: -40°C~+85°C

**Material and Plating**  
 Housing: Heat Resistant Polymer UL 94V-0  
 Actuator: Heat Resistant Polymer UL 94V-0  
 Contact: Phosphor Bronze/ Tin Plated  
 Stopper: Phosphor Bronze/ Tin Plated

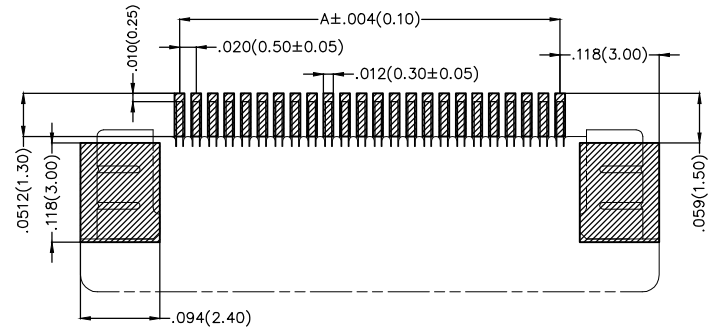


Applicable FFC Recommended Dimension

**Ordering Information**

FFC 050 01 — XX S B B 1 X 4 W5 M  
 1 2 3 4 5 6 7 8 9 10 11 12

|                                |                                     |  |                             |   |                               |
|--------------------------------|-------------------------------------|--|-----------------------------|---|-------------------------------|
| 1 Category<br>FFC-FPC          | 2 Series Number<br>050-Pitch 0.50mm | 3 Distinction No.<br>01                    | 4 Circuits<br>XX            | 5 Assemble Layout<br>S-SMT                                | 6 Entry Angle<br>B- 90° Angle |
| 7 Contact Position<br>B-Bottom | 8 ZIF<br>1-ZIF                      | 9 Plating<br>2-Tin Plated<br>1-Gold Plated | 10 Material-Resin<br>4-PA9T | 11 Color-Resin<br>W5-Housing: Natural,<br>Actuator: Black | 12 Packaging<br>M-Reel        |



Recommended P.C.Board Layout  
 General tolerance: ±0.05mm

|                            |                                       |                 |                     |                     |                                  |  |                        |
|----------------------------|---------------------------------------|-----------------|---------------------|---------------------|----------------------------------|--|------------------------|
| <br>THIRD ANGLE PROJECTION | GENERAL TOLERANCES (UNLESS SPECIFIED) |                 | APPROVE BY<br>FRANK | DATE<br>18/JUN/13   | PART NO.<br>FFC05001-XXSBB1X4W5M | ITEM NO.<br>FFC05001   | <br>Leader Of Industry |
|                            | DESIGN UNITS<br>Inch (metric)         | X.±.012(0.30)   | X.±5'               | CHECKED BY<br>JACOB | DATE<br>18/JUN/13                | TITLE<br>FPC/FFC connector 0.5mm<br>Bottom contact SMT   |                        |
| SCALE<br>5:1               | SIZE<br>A4                            | X.XX±.006(0.15) | .XX±1'              | DRAWN BY<br>CHERRY  | DATE<br>18/JUN/13                | THIS DRAWING CONTAINS INFORMATION THAT IS PROPRIETARY TO TXGA INDUSTRIAL ELECTRONICS(S.Z)CO.,LTD AND SHOULD NOT BE USED WITHOUT WRITTEN PERMISSION |                        |

1 2 3 4 5 6 7 8

| REV | LOCATIONS | DESCRIPTION | DATE | REVISER | APPD |
|-----|-----------|-------------|------|---------|------|
|     |           |             |      |         |      |

A

A

B

B

C

C

D

D



E

E

F

F

| Circuits (n) | Part No.             | Dimensions(in/mm) |             |             |             | Circuits (n) | Part No.             | Dimensions(in/mm) |             |              |             |
|--------------|----------------------|-------------------|-------------|-------------|-------------|--------------|----------------------|-------------------|-------------|--------------|-------------|
|              |                      | A                 | B           | C           | D           |              |                      | A                 | B           | C            | D           |
| 4            | FFC05001-04SBB1X4W5M | .059(1.50)        | .102(2.60)  | .295(7.50)  | .256(6.50)  | 20           | FFC05001-20SBB1X4W5M | .374(9.50)        | .417(10.60) | .610(15.50)  | .571(14.50) |
| 5            | FFC05001-05SBB1X4W5M | .079(2.00)        | .122(3.10)  | .315(8.00)  | .276(7.00)  | 21           | FFC05001-21SBB1X4W5M | .394(10.00)       | .437(11.10) | .630(16.00)  | .591(15.00) |
| 6            | FFC05001-06SBB1X4W5M | .098(2.50)        | .142(3.60)  | .335(8.50)  | .295(7.50)  | 22           | FFC05001-22SBB1X4W5M | .413(10.50)       | .457(11.60) | .650(16.50)  | .610(15.50) |
| 7            | FFC05001-07SBB1X4W5M | .118(3.00)        | .161(4.10)  | .354(9.00)  | .315(8.00)  | 24           | FFC05001-24SBB1X4W5M | .453(11.50)       | .496(12.60) | .690(17.50)  | .650(16.50) |
| 8            | FFC05001-08SBB1X4W5M | .138(3.50)        | .171(4.60)  | .374(9.50)  | .335(8.50)  | 25           | FFC05001-25SBB1X4W5M | .472(12.00)       | .516(13.10) | .709(18.00)  | .689(17.00) |
| 9            | FFC05001-09SBB1X4W5M | .157(4.00)        | .201(5.10)  | .394(10.00) | .354(9.00)  | 26           | FFC05001-26SBB1X4W5M | .492(12.50)       | .535(13.60) | .729(18.50)  | .689(17.50) |
| 10           | FFC05001-10SBB1X4W5M | .177(4.50)        | .221(5.60)  | .413(10.50) | .374(9.50)  | 27           | FFC05001-27SBB1X4W5M | .512(13.00)       | .555(14.10) | .748(19.00)  | .709(18.00) |
| 11           | FFC05001-11SBB1X4W5M | .197(5.00)        | .240(6.10)  | .433(11.00) | .394(10.00) | 28           | FFC05001-28SBA1X4W5M | .531(13.50)       | .575(14.60) | .768(19.50)  | .728(18.50) |
| 12           | FFC05001-12SBB1X4W5M | .217(5.50)        | .260(6.60)  | .452(11.50) | .413(10.50) | 29           | FFC05001-29SBA1X4W5M | .551(14.00)       | .595(15.10) | .787(20.00)  | .748(19.00) |
| 13           | FFC05001-13SBB1X4W5M | .236(6.00)        | .280(7.10)  | .472(12.00) | .433(11.00) | 30           | FFC05001-30SBB1X4W5M | .571(14.50)       | .614(15.60) | .807(20.50)  | .768(19.50) |
| 14           | FFC05001-14SBB1X4W5M | .256(6.50)        | .299(7.60)  | .492(12.50) | .453(11.50) | 32           | FFC05001-32SBB1X4W5M | .610(15.50)       | .654(16.60) | .846(21.50)  | .807(20.50) |
| 15           | FFC05001-15SBB1X4W5M | .276(7.00)        | .319(8.10)  | .512(13.00) | .472(12.00) | 33           | FFC05001-33SBB1X4W5M | .630(16.00)       | .673(17.10) | .866(22.00)  | .827(21.00) |
| 16           | FFC05001-16SBB1X4W5M | .295(7.50)        | .339(8.60)  | .531(13.50) | .492(12.50) | 34           | FFC05001-34SBB1X4W5M | .650(16.50)       | .693(17.60) | .886(22.50)  | .846(21.50) |
| 17           | FFC05001-17SBB1X4W5M | .315(8.00)        | .359(9.10)  | .551(14.00) | .512(13.00) | 35           | FFC05001-35SBB1X4W5M | .669(17.00)       | .713(18.10) | .905(23.00)  | .866(22.00) |
| 18           | FFC05001-18SBB1X4W5M | .335(8.50)        | .378(9.60)  | .571(14.50) | .531(13.50) | 36           | FFC05001-36SBB1X4W5M | .689(17.50)       | .732(18.60) | .925(23.50)  | .886(22.50) |
| 19           | FFC05001-19SBB1X4W5M | .354(9.00)        | .398(10.10) | .591(15.00) | .551(14.00) | 40           | FFC05001-40SBB1X4W5M | .768(19.50)       | .811(20.60) | 1.004(25.50) | .965(24.50) |

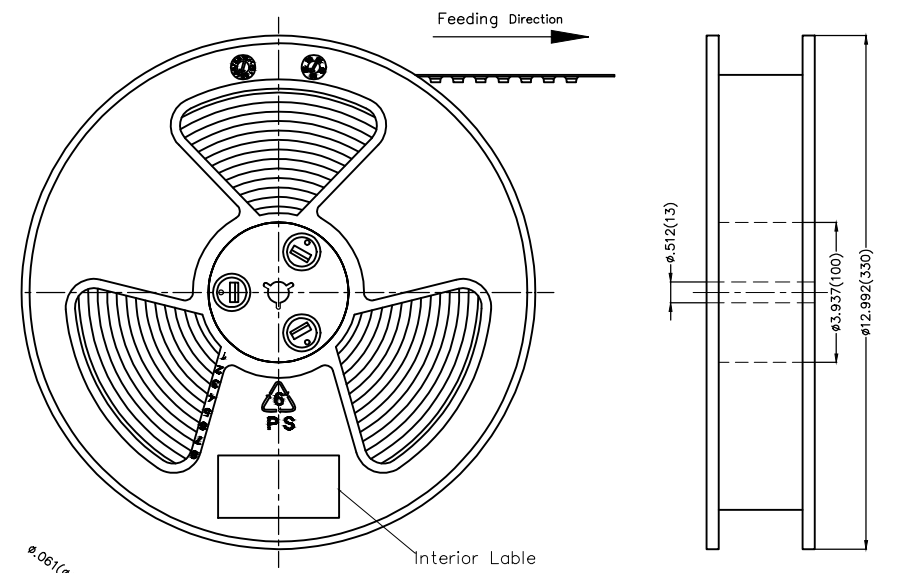
|   |  |                |                     |                    |  |  |   |               |
|---|--|----------------|---------------------|--------------------|--|--|---|---------------|
| <br>THIRD ANGLE<br>PROJECTION | GENERAL TOLERANCES<br>(UNLESS SPECIFIED) |                | APPROVE BY<br>FRANK | DATE<br>18/JUN/13  | PART NO.<br>FFC05001-XXSBB1X4W5M                       | ITEM NO.<br>FFC05001   | <br>Leader Of Industry |               |
|   | X.±.012(0.30)                            | X.±5'          | CHECKED BY<br>JACOB | DATE<br>18/JUN/13  | TITLE<br>FPC/FFC connector 0.5mm<br>Bottom contact SMT | REV 0  |   | SHEET NO. 4/5 |
|   | DESIGN UNITS<br>Inch (metric)            | X.X±.008(0.20) | .X±2'               | DRAWN BY<br>CHERRY | DATE<br>18/JUN/13                                      | THIS DRAWING CONTAINS INFORMATION THAT IS PROPRIETARY TO TXGA INDUSTRIAL ELECTRONICS(S.Z)CO.,LTD AND SHOULD NOT BE USED WITHOUT WRITTEN PERMISSION |   |               |
|   | SCALE<br>5:1                             | SIZE<br>A4     | X.XX±.006(0.15)     | .XX±1'             | X.XXX±.004(0.10)                                       | .XXX±0.5'  |   |               |

1 2 3 4 5 6 7 8

1 2 3 4 5 6 7 8

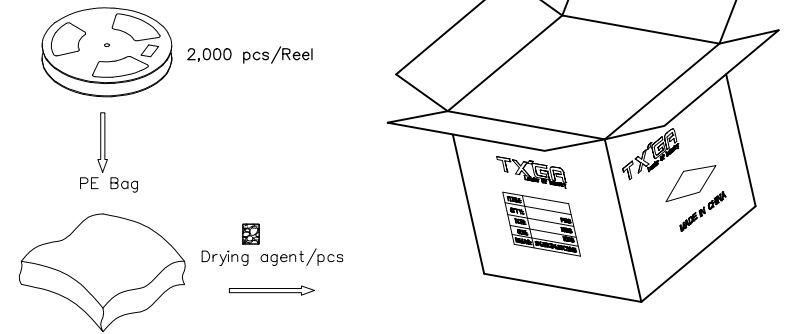
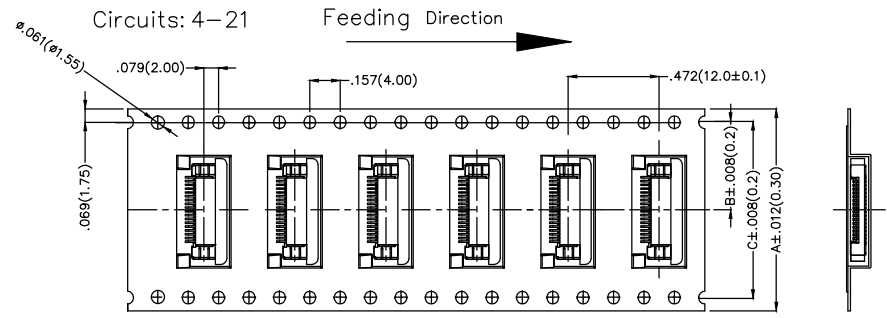
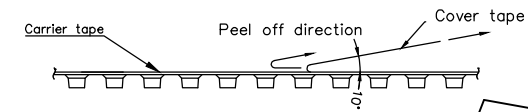
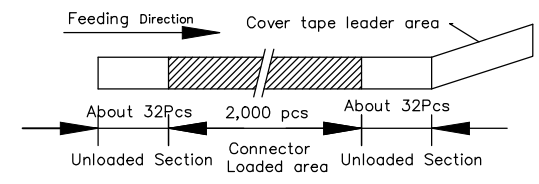
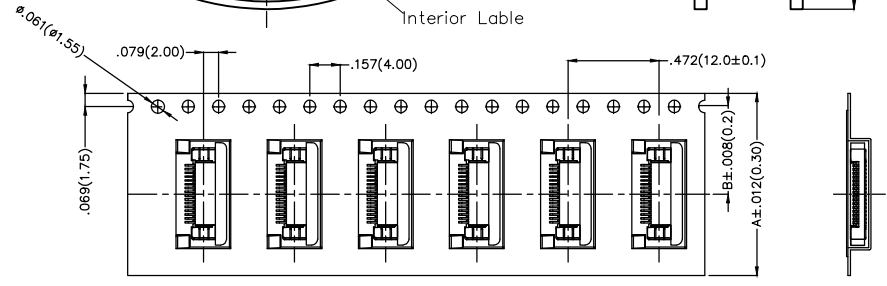
| REV | LOCATIONS | DESCRIPTION | DATE | REVISER | APPD |
|-----|-----------|-------------|------|---------|------|
|     |           |             |      |         |      |

A  
B  
C  
D  
E  
F



- Note:
- 10 sprocket hole cumulative tolerance  $\pm 0.2$
  - Carrier camber is within 1.0mm in 250mm
  - Material: White Conductive polystyrene Alloy 100% recyclable
  - All dimensions meet EIA-481-3 requirements
  - Peel off force of cover tape & carrier tape: 20g~130g(0.2N~1.3N)
  - Component load per 13" reel: 2,000 pcs

| Circuits (n) | Dimensions(in/mm) |             |              |
|--------------|-------------------|-------------|--------------|
|              | A                 | B           | C            |
| 4            | .630(16.0)        | .295(7.5)   | —            |
| 5~21         | .945(24.0)        | .453(11.5)  | —            |
| 22~32        | 1.260(32.0)       | .561(14.25) | 1.033(28.50) |
| 33~40        | 1.732(44.0)       | .797(20.25) | 1.594(40.50) |



|   |                                       |                 |                     |                   |  |                      |                        |
|---|---------------------------------------|-----------------|---------------------|-------------------|--|----------------------|------------------------|
| <br>THIRD ANGLE PROJECTION<br>DESIGN UNITS<br>Inch (metric)<br>SCALE<br>5:1<br>SIZE<br>A4 | GENERAL TOLERANCES (UNLESS SPECIFIED) |                 | APPROVE BY<br>FRANK | DATE<br>18/JUN/13 | PART NO.<br>FFC05001-XXSBX1X4W5M   | ITEM NO.<br>FFC05001 | <br>Leader Of Industry |
|   | X. $\pm$ .012(0.30)                   | X. $\pm$ 5'     | CHECKED BY<br>JACOB | DATE<br>18/JUN/13 | TITLE<br>FPC/FFC connector 0.5mm SMT   |                      |                        |
|   | X.X $\pm$ .008(0.20)                  | .X $\pm$ 2'     | DRAWN BY<br>CHERRY  | DATE<br>18/JUN/13 | THIS DRAWING CONTAINS INFORMATION THAT IS PROPRIETARY TO TXGA INDUSTRIAL ELECTRONICS(S.Z)CO.,LTD AND SHOULD NOT BE USED WITHOUT WRITTEN PERMISSION |                      | SHEET NO. 5/5          |
|   | X.XX $\pm$ .006(0.15)                 | .XX $\pm$ 1'    |                     |                   |  |                      |                        |
|   | X.XXX $\pm$ .004(0.10)                | .XXX $\pm$ 0.5' |                     |                   |  |                      |                        |

1 2 3 4 5 6 7 8

## X-ON Electronics

Largest Supplier of Electrical and Electronic Components

*Click to view similar products for [FFC & FPC Connectors](#) category:*

*Click to view products by [TXGA](#) manufacturer:*

Other Similar products are found below :

[HFW11R-1STE1H1LF](#) [FH29B-100S-0.2SHW\(99\)](#) [FA5S008HP1](#) [FH29B-120S-0.2SHW\(99\)](#) [FH29B-80S-0.2SHW\(99\)](#) [FHS-16](#) [FPH-2022G](#)  
[52610-1075](#) [52610-1275](#) [52610-1934](#) [XF3M\(1\)-1415-1B-R100](#) [501864-3091-TR225](#) [0525594033](#) [086210010340800](#) [086222026001800](#)  
[52271-2869-CUT-TAPE](#) [62674-201121DLF](#) [62684-36210E9ALF](#) [52610-1675](#) [52746-1671-TR250](#) [10051922-2810EHLF](#) [6-520415-9](#)  
[BD021-09A-A1-0350-0200-0550-LD](#) [SFV6R-1STE9HLF](#) [XF3M-2915-1B-R100](#) [1658549-1](#) [62674-221121ALF](#) [46214008010800](#)  
[046298003000883](#) [151660622](#) [842-816-2630-035](#) [AYF530665TA](#) [AYF351525](#) [046296011930846+](#) [AYF352325A](#) [046254020000800+](#)  
[FH19C-13S-0.5SH\(99\)](#) [FH39J-51S-0.3SHW\(99\)](#) [AYF355125A](#) [AYF530365TA](#) [FH29B-44S-0.2SHW\(99\)](#) [SFW5R-2STAE9LF](#) [AYF351125A](#)  
[AYF350725A](#) [62684-502100AHLF](#) [FH39-61S-0.3SHW\(99\)](#) [AYF414035A](#) [10064555-172520HLF](#) [AYF212335A](#) [504754-2500](#)