

REV	LOCATIONS	DESCRIPTION	DATE	REVISER	APPD

SPECIFICATIONS

Electrical  
 Current Rating: 0.5A AC(rms)/DC  
 Voltage Rating: 50V AC(rms)/DC  
 Contact Resistance: 20 mΩ Max  
 Insulation Resistance: 500 MΩ MIN  
 Withstanding Voltage: 200V AC r.m.s  
 Temperature Range-Operating: -25°C~+85°C  
 Material and Plating  
 Housing: PA6T UL 94V-0  
 Actuator: PA6T UL 94V-0  
 Contact: Phosphor Bronze/ Tin Plated  
 Stopper: Phosphor Bronze/ Tin Plated

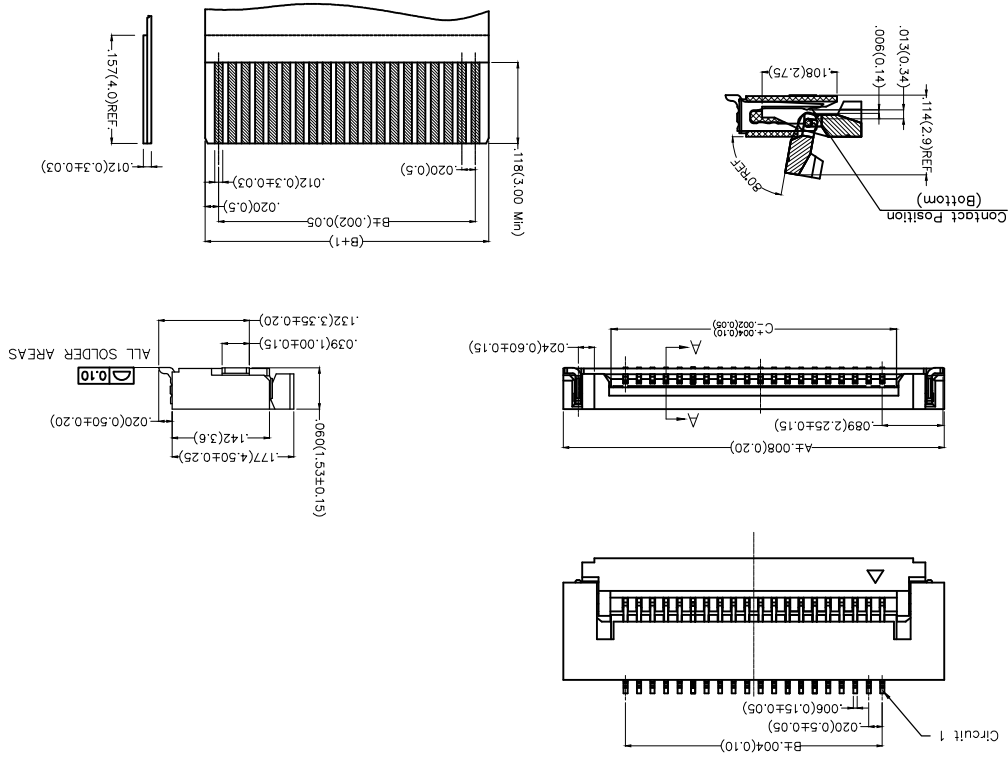
Circuits	Part No.	Dimensions(in/mm)		
		A	B	C
4	FFC05020-04SBB124W5M	.240(6.10)	.059(1.50)	.101(2.57)
5	FFC05020-05SBB124W5M	.260(6.60)	.079(2.00)	.121(3.07)
6	FFC05020-06SBB124W5M	.280(7.10)	.098(2.50)	.141(3.57)
7	FFC05020-07SBB124W5M	.299(7.60)	.118(3.00)	.160(4.07)
8	FFC05020-08SBB124W5M	.319(8.10)	.138(3.50)	.180(4.57)
9	FFC05020-09SBB124W5M	.339(8.60)	.157(4.00)	.200(5.07)
10	FFC05020-10SBB124W5M	.358(9.10)	.177(4.50)	.219(5.57)
11	FFC05020-11SBB124W5M	.378(9.60)	.197(5.00)	.239(6.07)
12	FFC05020-12SBB124W5M	.398(10.10)	.217(5.50)	.259(6.57)
13	FFC05020-13SBB124W5M	.417(10.60)	.236(6.00)	.278(7.07)
14	FFC05020-14SBB124W5M	.437(11.10)	.256(6.50)	.298(7.57)
15	FFC05020-15SBB124W5M	.457(11.60)	.276(7.00)	.318(8.07)
16	FFC05020-16SBB124W5M	.476(12.10)	.295(7.50)	.337(8.57)
17	FFC05020-17SBB124W5M	.496(12.60)	.315(8.00)	.357(9.07)
18	FFC05020-18SBB124W5M	.516(13.10)	.335(8.50)	.377(9.57)
19	FFC05020-19SBB124W5M	.535(13.60)	.354(9.00)	.396(10.07)
20	FFC05020-20SBB124W5M	.555(14.10)	.374(9.50)	.416(10.57)
21	FFC05020-21SBB124W5M	.575(14.60)	.394(10.00)	.436(11.07)
22	FFC05020-22SBB124W5M	.594(15.10)	.413(10.50)	.456(11.57)

Ordering Information

FFC 050 20 - XX S B B 1 2 4 W 5 M  
 1 2 3 4 5 6 7 8 9 10 11 12

1 Category 2 Series Number 3 Distinction No. 4 Circuits 5 Assemble Layout 6 Entry Angle  
 7 Contact Position 8 ZIF 9 Plating 10 Material-Resin 11 Color-Resin 12 M-Reel

Applicable FFC Recommended Dimension



THIRD ANGLE	DESIGN UNITS	SCALE	SIZE	GENERAL TOLERANCES	APPROVE BY	DATE	PART NO.	ITEM NO.
☉	Inch (metric)	1:1	A4	(UNLESS SPECIFIED)	FRANK	18/JUN/13	FFC05020-XXSBB124W5M	FFC05020
	X.±.012(0.30)	X.X±.008(0.20)	X.X±.006(0.15)	X.X±.004(0.10)	JACOB	18/JUN/13	Bottom contact SMT	
	X.±.012(0.30)	X.X±.008(0.20)	X.X±.006(0.15)	X.X±.004(0.10)	CHERRY	18/JUN/13	FPC/FFC connector 0.5mm	

DATE	APPROVE BY	GENERAL TOLERANCES	THIRD ANGLE	DESIGN UNITS	SCALE	SIZE
18/JUN/13	FRANK	(UNLESS SPECIFIED)	☉	Inch (metric)	1:1	A4
18/JUN/13	JACOB	X.±.012(0.30)		X.X±.008(0.20)	X.X±.006(0.15)	X.X±.004(0.10)
18/JUN/13	CHERRY	X.±.012(0.30)		X.X±.008(0.20)	X.X±.006(0.15)	X.X±.004(0.10)

DATE	APPROVE BY	GENERAL TOLERANCES	THIRD ANGLE	DESIGN UNITS	SCALE	SIZE
18/JUN/13	FRANK	(UNLESS SPECIFIED)	☉	Inch (metric)	1:1	A4
18/JUN/13	JACOB	X.±.012(0.30)		X.X±.008(0.20)	X.X±.006(0.15)	X.X±.004(0.10)
18/JUN/13	CHERRY	X.±.012(0.30)		X.X±.008(0.20)	X.X±.006(0.15)	X.X±.004(0.10)

DATE	APPROVE BY	GENERAL TOLERANCES	THIRD ANGLE	DESIGN UNITS	SCALE	SIZE
18/JUN/13	FRANK	(UNLESS SPECIFIED)	☉	Inch (metric)	1:1	A4
18/JUN/13	JACOB	X.±.012(0.30)		X.X±.008(0.20)	X.X±.006(0.15)	X.X±.004(0.10)
18/JUN/13	CHERRY	X.±.012(0.30)		X.X±.008(0.20)	X.X±.006(0.15)	X.X±.004(0.10)

DATE	APPROVE BY	GENERAL TOLERANCES	THIRD ANGLE	DESIGN UNITS	SCALE	SIZE
18/JUN/13	FRANK	(UNLESS SPECIFIED)	☉	Inch (metric)	1:1	A4
18/JUN/13	JACOB	X.±.012(0.30)		X.X±.008(0.20)	X.X±.006(0.15)	X.X±.004(0.10)
18/JUN/13	CHERRY	X.±.012(0.30)		X.X±.008(0.20)	X.X±.006(0.15)	X.X±.004(0.10)

DATE	APPROVE BY	GENERAL TOLERANCES	THIRD ANGLE	DESIGN UNITS	SCALE	SIZE
18/JUN/13	FRANK	(UNLESS SPECIFIED)	☉	Inch (metric)	1:1	A4
18/JUN/13	JACOB	X.±.012(0.30)		X.X±.008(0.20)	X.X±.006(0.15)	X.X±.004(0.10)
18/JUN/13	CHERRY	X.±.012(0.30)		X.X±.008(0.20)	X.X±.006(0.15)	X.X±.004(0.10)

DATE	APPROVE BY	GENERAL TOLERANCES	THIRD ANGLE	DESIGN UNITS	SCALE	SIZE
18/JUN/13	FRANK	(UNLESS SPECIFIED)	☉	Inch (metric)	1:1	A4
18/JUN/13	JACOB	X.±.012(0.30)		X.X±.008(0.20)	X.X±.006(0.15)	X.X±.004(0.10)
18/JUN/13	CHERRY	X.±.012(0.30)		X.X±.008(0.20)	X.X±.006(0.15)	X.X±.004(0.10)

DATE	APPROVE BY	GENERAL TOLERANCES	THIRD ANGLE	DESIGN UNITS	SCALE	SIZE
18/JUN/13	FRANK	(UNLESS SPECIFIED)	☉	Inch (metric)	1:1	A4
18/JUN/13	JACOB	X.±.012(0.30)		X.X±.008(0.20)	X.X±.006(0.15)	X.X±.004(0.10)
18/JUN/13	CHERRY	X.±.012(0.30)		X.X±.008(0.20)	X.X±.006(0.15)	X.X±.004(0.10)

DATE	APPROVE BY	GENERAL TOLERANCES	THIRD ANGLE	DESIGN UNITS	SCALE	SIZE
18/JUN/13	FRANK	(UNLESS SPECIFIED)	☉	Inch (metric)	1:1	A4
18/JUN/13	JACOB	X.±.012(0.30)		X.X±.008(0.20)	X.X±.006(0.15)	X.X±.004(0.10)
18/JUN/13	CHERRY	X.±.012(0.30)		X.X±.008(0.20)	X.X±.006(0.15)	X.X±.004(0.10)

DATE	APPROVE BY	GENERAL TOLERANCES	THIRD ANGLE	DESIGN UNITS	SCALE	SIZE
18/JUN/13	FRANK	(UNLESS SPECIFIED)	☉	Inch (metric)	1:1	A4
18/JUN/13	JACOB	X.±.012(0.30)		X.X±.008(0.20)	X.X±.006(0.15)	X.X±.004(0.10)
18/JUN/13	CHERRY	X.±.012(0.30)		X.X±.008(0.20)	X.X±.006(0.15)	X.X±.004(0.10)

DATE	APPROVE BY	GENERAL TOLERANCES	THIRD ANGLE	DESIGN UNITS	SCALE	SIZE
18/JUN/13	FRANK	(UNLESS SPECIFIED)	☉	Inch (metric)	1:1	A4
18/JUN/13	JACOB	X.±.012(0.30)		X.X±.008(0.20)	X.X±.006(0.15)	X.X±.004(0.10)
18/JUN/13	CHERRY	X.±.012(0.30)		X.X±.008(0.20)	X.X±.006(0.15)	X.X±.004(0.10)

DATE	APPROVE BY	GENERAL TOLERANCES	THIRD ANGLE	DESIGN UNITS	SCALE	SIZE
18/JUN/13	FRANK	(UNLESS SPECIFIED)	☉	Inch (metric)	1:1	A4
18/JUN/13	JACOB	X.±.012(0.30)		X.X±.008(0.20)	X.X±.006(0.15)	X.X±.004(0.10)
18/JUN/13	CHERRY	X.±.012(0.30)		X.X±.008(0.20)	X.X±.006(0.15)	X.X±.004(0.10)

DATE	APPROVE BY	GENERAL TOLERANCES	THIRD ANGLE	DESIGN UNITS	SCALE	SIZE
18/JUN/13	FRANK	(UNLESS SPECIFIED)	☉	Inch (metric)	1:1	A4
18/JUN/13	JACOB	X.±.012(0.30)		X.X±.008(0.20)	X.X±.006(0.15)	X.X±.004(0.10)
18/JUN/13	CHERRY	X.±.012(0.30)		X.X±.008(0.20)	X.X±.006(0.15)	X.X±.004(0.10)

DATE	APPROVE BY	GENERAL TOLERANCES	THIRD ANGLE	DESIGN UNITS	SCALE	SIZE
18/JUN/13	FRANK	(UNLESS SPECIFIED)	☉	Inch (metric)	1:1	A4
18/JUN/13	JACOB	X.±.012(0.30)		X.X±.008(0.20)	X.X±.006(0.15)	X.X±.004(0.10)
18/JUN/13	CHERRY	X.±.012(0.30)		X.X±.008(0.20)	X.X±.006(0.15)	X.X±.004(0.10)

DATE	APPROVE BY	GENERAL TOLERANCES	THIRD ANGLE	DESIGN UNITS	SCALE	SIZE
18/JUN/13	FRANK	(UNLESS SPECIFIED)	☉	Inch (metric)	1:1	A4
18/JUN/13	JACOB	X.±.012(0.30)		X.X±.008(0.20)	X.X±.006(0.15)	X.X±.004(0.10)
18/JUN/13	CHERRY	X.±.012(0.30)		X.X±.008(0.20)	X.X±.006(0.15)	X.X±.004(0.10)

DATE	APPROVE BY	GENERAL TOLERANCES	THIRD ANGLE	DESIGN UNITS	SCALE	SIZE
18/JUN/13	FRANK	(UNLESS SPECIFIED)	☉	Inch (metric)	1:1	A4
18/JUN/13	JACOB	X.±.012(0.30)		X.X±.008(0.20)	X.X±.006(0.15)	X.X±.004(0.10)
18/JUN/13	CHERRY	X.±.012(0.30)		X.X±.008(0.20)	X.X±.006(0.15)	X.X±.004(0.10)

DATE	APPROVE BY	GENERAL TOLERANCES	THIRD ANGLE	DESIGN UNITS	SCALE	SIZE
18/JUN/13	FRANK	(UNLESS SPECIFIED)	☉	Inch (metric)	1:1	A4
18/JUN/13	JACOB	X.±.012(0.30)		X.X±.008(0.20)	X.X±.006(0.15)	X.X±.004(0.10)
18/JUN/13	CHERRY	X.±.012(0.30)		X.X±.008(0.20)	X.X±.006(0.15)	X.X±.004(0.10)

DATE	APPROVE BY	GENERAL TOLERANCES	THIRD ANGLE	DESIGN UNITS	SCALE	SIZE
18/JUN/13	FRANK	(UNLESS SPECIFIED)	☉	Inch (metric)	1:1	A4
18/JUN/13	JACOB	X.±.012(0.30)		X.X±.008(0.20)	X.X±.006(0.15)	X.X±.004(0.10)
18/JUN/13	CHERRY	X.±.012(0.30)		X.X±.008(0.20)	X.X±.006(0.15)	X.X±.004(0.10)

DATE	APPROVE BY	GENERAL TOLERANCES	THIRD ANGLE	DESIGN UNITS	SCALE	SIZE
18/JUN/13	FRANK	(UNLESS SPECIFIED)	☉	Inch (metric)	1:1	A4
18/JUN/13	JACOB	X.±.012(0.30)		X.X±.008(0.20)	X.X±.006(0.15)	X.X±.004(0.10)
18/JUN/13	CHERRY	X.±.012(0.30)		X.X±.008(0.20)	X.X±.006(0.15)	X.X±.004(0.10)

DATE	APPROVE BY	GENERAL TOLERANCES	THIRD ANGLE	DESIGN UNITS	SCALE	SIZE
18/JUN/13	FRANK	(UNLESS SPECIFIED)	☉	Inch (metric)	1:1	A4
18/JUN/13	JACOB	X.±.012(0.30)		X.X±.008(0.20)	X.X±.006(0.15)	X.X±.004(0.10)
18/JUN/13	CHERRY	X.±.012(0.30)		X.X±.008(0.20)	X.X±.006(0.15)	X.X±.004(0.10)

DATE	APPROVE BY	GENERAL TOLERANCES	THIRD ANGLE	DESIGN UNITS	SCALE	SIZE
18/JUN/13	FRANK	(UNLESS SPECIFIED)	☉	Inch (metric)	1:1	A4
18/JUN/13	JACOB	X.±.012(0.30)		X.X±.008(0.20)	X.X±.006(0.15)	X.X±.004(0.10)
18/JUN/13	CHERRY	X.±.012(0.30)		X.X±.008(0.20)	X.X±.006(0.15)	X.X±.004(0.10)

DATE	APPROVE BY	GENERAL TOLERANCES	THIRD ANGLE	DESIGN UNITS	SCALE	SIZE
18/JUN/13	FRANK	(UNLESS SPECIFIED)	☉	Inch (metric)	1:1	A4
18/JUN/13	JACOB	X.±.012(0.30)		X.X±.008(0.20)	X.X±.006(0.15)	X.X±.004(0.10)
18/JUN/13	CHERRY	X.±.012(0.30)		X.X±.008(0.20)	X.X±.006(0.15)	X.X±.004(0.10)

DATE	APPROVE BY	GENERAL TOLERANCES	THIRD ANGLE	DESIGN UNITS	SCALE	SIZE
18/JUN/13	FRANK	(UNLESS SPECIFIED)	☉	Inch (metric)	1:1	A4
18/JUN/13	JACOB	X.±.012(0.30)		X.X±.008(0.20)	X.X±.006(0.15)	X.X±.004(0.10)
18/JUN/13	CHERRY	X.±.012(0.30)		X.X±.008(0.20)	X.X±.006(0.15)	X.X±.004(0.10)

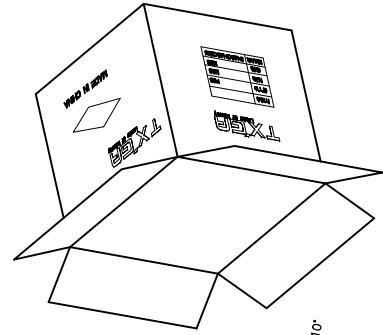
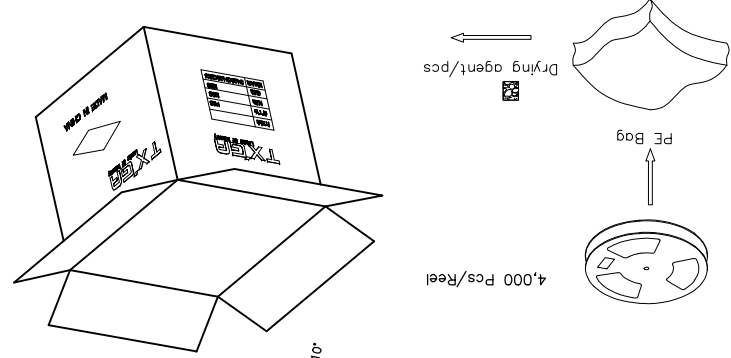
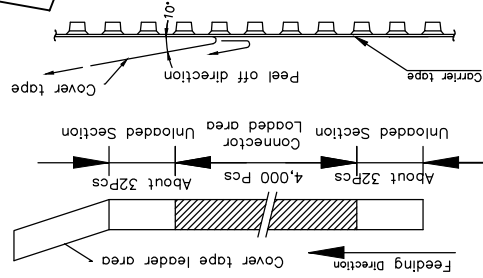
DATE	APPROVE BY	GENERAL TOLERANCES	THIRD ANGLE	DESIGN UNITS	SCALE	SIZE
18/JUN/13	FRANK	(UNLESS SPECIFIED)	☉	Inch (metric)	1:1	A4
18/JUN/13	JACOB	X.±.012(0.30)		X.X±.008(0.20)	X.X±.006(0.15)	X.X±.004(0.10)
18/JUN/13	CHERRY	X.±.012(0.30)		X.X±.008(0.20)	X.X±.006(0.15)	X.X±.004(0.10)

REV	LOCATIONS	DESCRIPTION	DATE	REVISER	APPD

Note:

- 10 sprocket hole cumulative tolerance±0.2
- Carrier comb is within 1.0mm in 250mm
- Material: White Conductive polystyrene Alloy 100% recyclable
- All dimensions meet EIA-481-3 requirements
- Peel off force of cover tape&carrier tape: 20g~130g(0.2N~1.3N)
- Component load per 13" reel: 4,000 pcs

Circuits	Dimensions(in/mm)	
(n)	A	B
4~8	.630(16.0)	.295(7.50)
9~24	.945(24.0)	.453(11.50)
25~36	1.260(32.0)	.561(14.25)
37~55	1.732(44.0)	.797(20.25)
50~55	1.732(44.0)	.797(20.25)
56~60	2.205(56.0)	1.033(26.25)

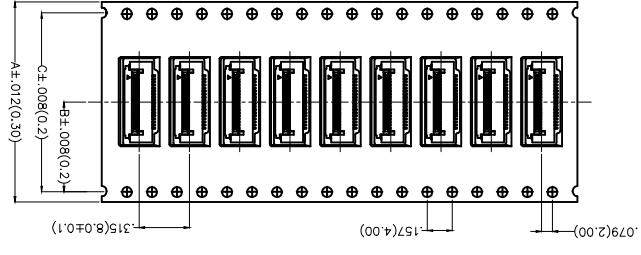
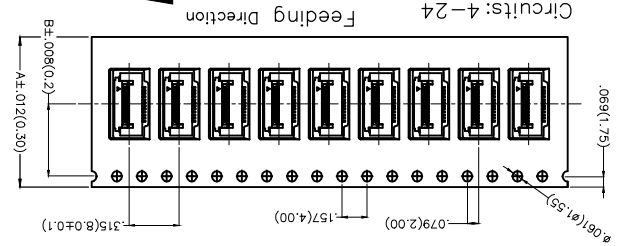
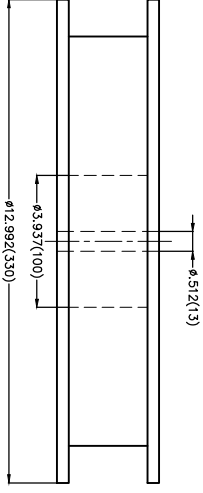
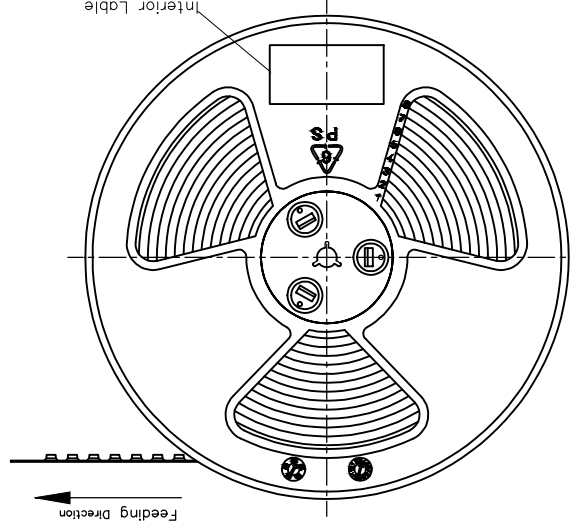


THIRD ANGLE		DESIGN UNITS	SCALE	GENERAL TOLERANCES (UNLESS SPECIFIED)		DATE	APPROVE BY	DATE	PART NO.	ITEM NO.
		Inch (metric)	5:1 A4	X.XX±.004(0.10)	.XXX±0.5	18/JUN/13	FRANK	18/JUN/13	FFC05020-XXSBB124WSM	FFC05020
				X.XX±.006(0.15)	.XX±.1	18/JUN/13	JACOB	18/JUN/13	FPC/FCC connector 0.5mm	
				X.XX±.008(0.20)	.X±.2	18/JUN/13	CHERRY	18/JUN/13	Bottom contact SMT	



THIS DRAWING CONTAINS INFORMATION THAT IS PROPRIETARY TO TXGA INDUSTRIAL ELECTRONICS(S)ZCO.,LTD AND SHOULD NOT BE USED WITHOUT WRITTEN PERMISSION

REV 0 SHEET NO. 2/2




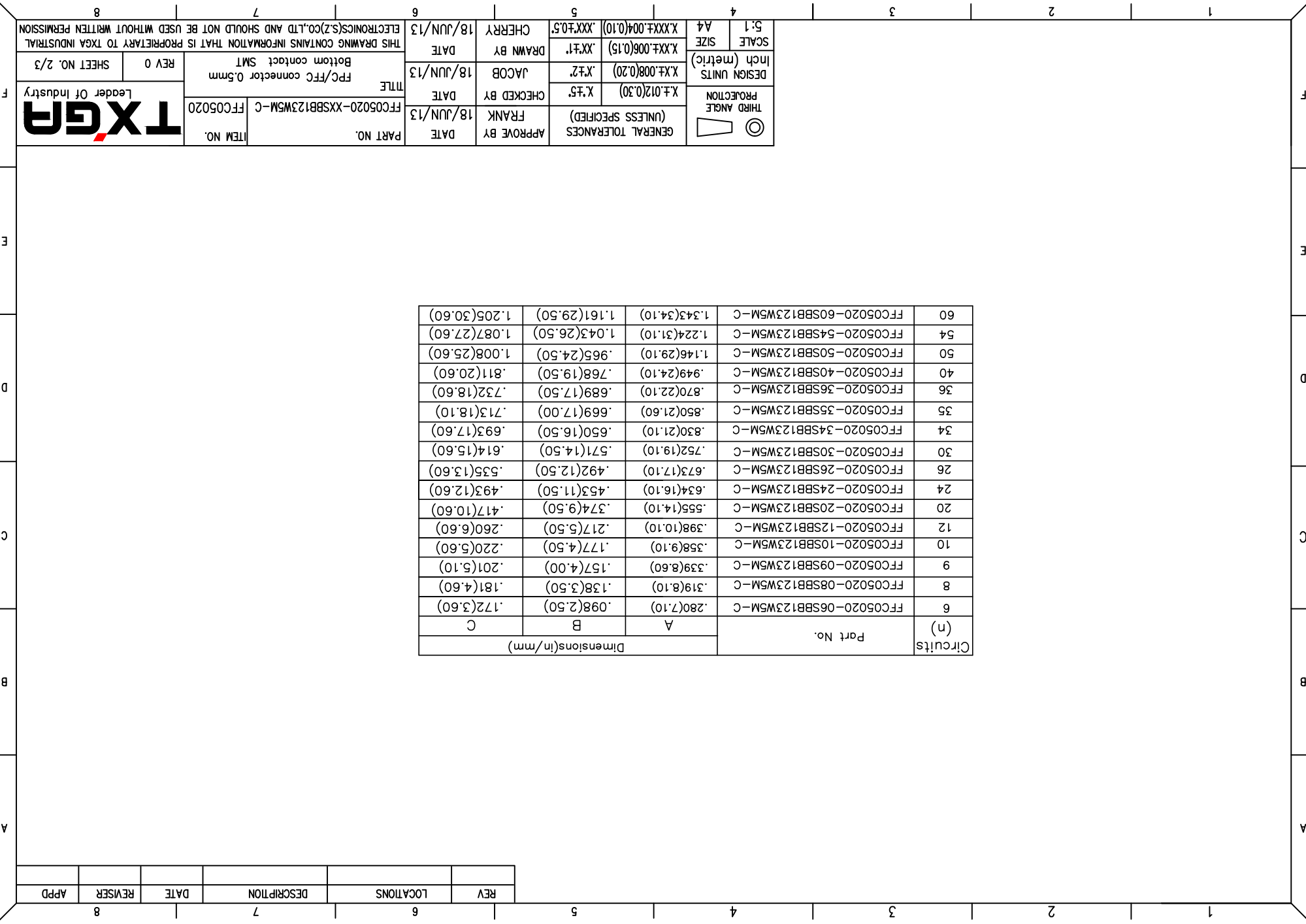
A B C D E F



REV	LOCATIONS	DESCRIPTION	DATE	REVISER	APPD

Circuits (n)	Part No.	Dimensions(in/mm)		
		A	B	C
6	FFC05020-06SBB123W5M-C	.280(7.10)	.098(2.50)	.172(3.60)
8	FFC05020-08SBB123W5M-C	.319(8.10)	.138(3.50)	.181(4.60)
9	FFC05020-09SBB123W5M-C	.339(8.60)	.157(4.00)	.201(5.10)
10	FFC05020-10SBB123W5M-C	.358(9.10)	.177(4.50)	.220(5.60)
12	FFC05020-12SBB123W5M-C	.398(10.10)	.217(5.50)	.260(6.60)
20	FFC05020-20SBB123W5M-C	.555(14.10)	.374(9.50)	.417(10.60)
24	FFC05020-24SBB123W5M-C	.634(16.10)	.453(11.50)	.493(12.60)
26	FFC05020-26SBB123W5M-C	.673(17.10)	.492(12.50)	.535(13.60)
30	FFC05020-30SBB123W5M-C	.752(19.10)	.571(14.50)	.614(15.60)
34	FFC05020-34SBB123W5M-C	.830(21.10)	.650(16.50)	.693(17.60)
35	FFC05020-35SBB123W5M-C	.850(21.60)	.669(17.00)	.713(18.10)
36	FFC05020-36SBB123W5M-C	.870(22.10)	.689(17.50)	.732(18.60)
40	FFC05020-40SBB123W5M-C	.949(24.10)	.768(19.50)	.811(20.60)
50	FFC05020-50SBB123W5M-C	1.146(29.10)	.965(24.50)	1.008(25.60)
54	FFC05020-54SBB123W5M-C	1.224(31.10)	1.043(26.50)	1.087(27.60)
60	FFC05020-60SBB123W5M-C	1.343(34.10)	1.161(29.50)	1.205(30.60)

 THIRD ANGLE PROJECTION		DESIGN UNITS Inch (metric)	SCALE 5:1 A4	GENERAL TOLERANCES (UNLESS SPECIFIED)	DATE 18/JUN/13	APPROVE BY FRANK	PART NO. FFC05020-XXSBB123W5M-C	ITEM NO.
X.±.012(0.30) X.±.008(0.20) X.±.006(0.15) X.XXX.004(0.10)		X.±.7 X.±.2 .XX.1	X.±.7 X.±.2 .XX.1	X.±.7 X.±.2 .XX.1	DATE 18/JUN/13	CHECKED BY JACOB	TITLE FPC/FPC connector 0.5mm Bottom contact SMT	REV 0 SHEET NO. 2/3
DRAWN BY CHERRY		DATE 18/JUN/13		THIS DRAWING CONTAINS INFORMATION THAT IS PROPRIETARY TO TXGA INDUSTRIAL ELECTRONICS(SZ)CO.,LTD AND SHOULD NOT BE USED WITHOUT WRITTEN PERMISSION		TXGA Leader Of Industry		

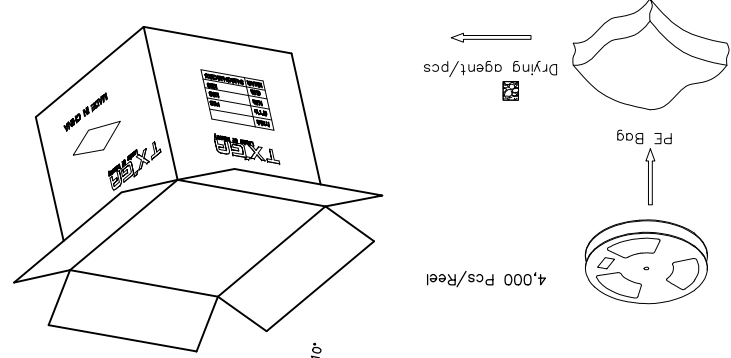
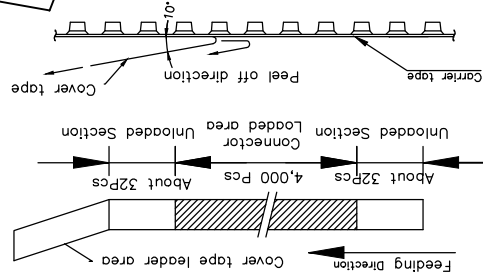


REV	LOCATIONS	DESCRIPTION	DATE	REVISER	APPD

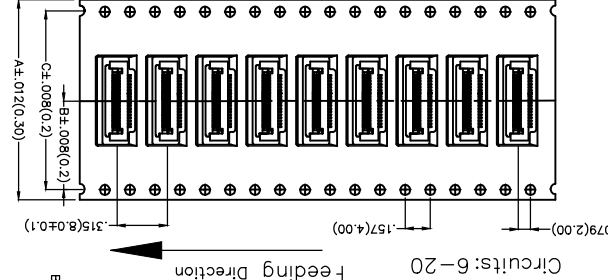
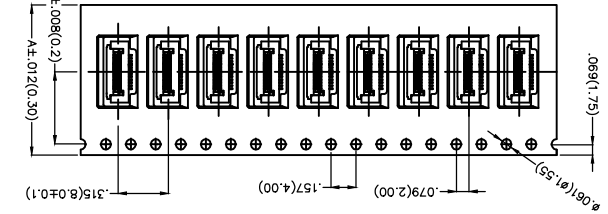
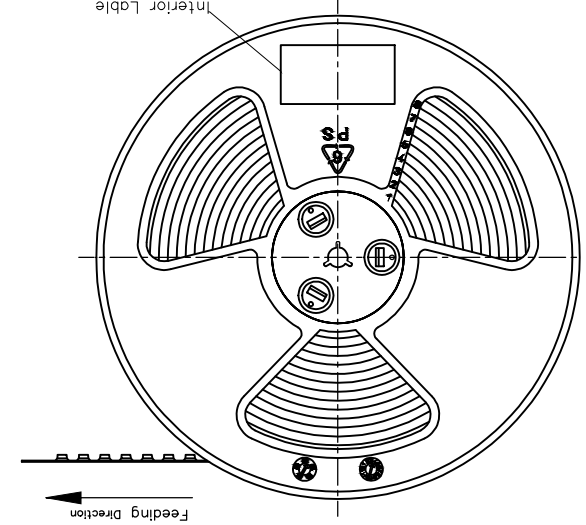
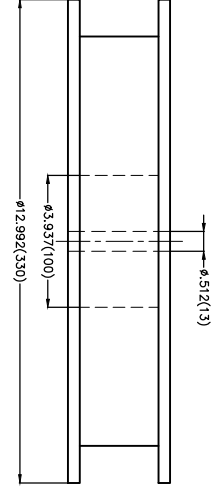
Note:

- 10 sprocket hole cumulative tolerance±0.2
- Carrier comb is within 1.0mm in 250mm
- Material: White Conductive polystyrene Alloy 100% recyclable
- All dimensions meet EIA-481-3 requirements
- Peel off force of cover tape&carrier tape: 20g~130g(0.2N~1.3N)
- Component load per 13" reel: 4,000 pcs

Circuits	Dimensions(in/mm)		
	A	B	C
6~20	.945(24.0)	.453(11.5)	—
22~30	1.260(32.0)	.561(14.25)	1.033(28.50)
34~50	1.732(44.0)	.797(20.25)	1.594(40.50)
54~60	2.205(56.0)	1.033(26.25)	2.067(52.50)



THIRD ANGLE		PROJECTION	DESIGN UNITS	SCALE	SIZE
			Inch (metric)	5:1	A4
GENERAL TOLERANCES (UNLESS SPECIFIED)		X.±.012(0.30)	X.±.008(0.20)	X.XX±.006(0.15)	X.XX±.004(0.10)
APPROVE BY	FRANK	DATE	18/JUN/13	CHECKED BY	JACOB
DATE	18/JUN/13	PART NO.	FFC05020-XXSBR123WSM-C	ITEM NO.	FFC05020
DRAWN BY		DATE	18/JUN/13	Bottom contact SMT	
CHERRY		DATE	18/JUN/13	FPC/FPC connector 0.5mm	
THIS DRAWING CONTAINS INFORMATION THAT IS PROPRIETARY TO TXGA INDUSTRIAL ELECTRONICS(SZ)CO.,LTD AND SHOULD NOT BE USED WITHOUT WRITTEN PERMISSION					



A B C D E F

A B C D E F

F

F

## X-ON Electronics

Largest Supplier of Electrical and Electronic Components

*Click to view similar products for [FFC & FPC Connectors](#) category:*

*Click to view products by [TXGA](#) manufacturer:*

Other Similar products are found below :

[HFW11R-1STE1H1LF](#) [FH29B-100S-0.2SHW\(99\)](#) [FA5S008HP1](#) [FH29B-120S-0.2SHW\(99\)](#) [FH29B-80S-0.2SHW\(99\)](#) [FHS-16](#) [FPH-2022G](#)  
[52610-1075](#) [52610-1275](#) [52610-1934](#) [XF3M\(1\)-1415-1B-R100](#) [501864-3091-TR225](#) [0525594033](#) [086210010340800](#) [086222026001800](#)  
[52271-2869-CUT-TAPE](#) [62674-201121DLF](#) [62684-36210E9ALF](#) [52610-1675](#) [52746-1671-TR250](#) [10051922-2810EHLF](#) [6-520415-9](#)  
[BD021-09A-A1-0350-0200-0550-LD](#) [SFV6R-1STE9HLF](#) [XF3M-2915-1B-R100](#) [1658549-1](#) [62674-221121ALF](#) [46214008010800](#)  
[046298003000883](#) [151660622](#) [842-816-2630-035](#) [AYF530665TA](#) [AYF351525](#) [046296011930846+](#) [AYF352325A](#) [046254020000800+](#)  
[FH19C-13S-0.5SH\(99\)](#) [FH39J-51S-0.3SHW\(99\)](#) [AYF355125A](#) [AYF530365TA](#) [FH29B-44S-0.2SHW\(99\)](#) [SFW5R-2STAE9LF](#) [AYF351125A](#)  
[AYF350725A](#) [62684-502100AHLF](#) [FH39-61S-0.3SHW\(99\)](#) [AYF414035A](#) [10064555-172520HLF](#) [AYF212335A](#) [504754-2500](#)