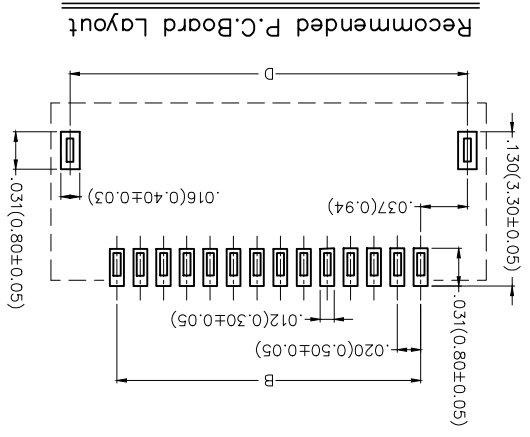
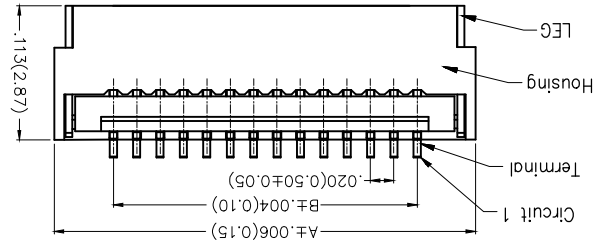
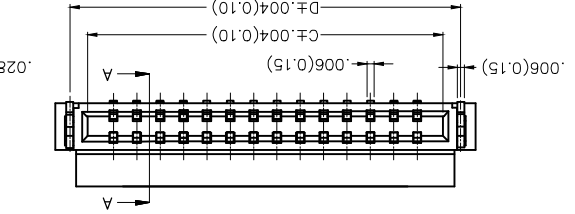
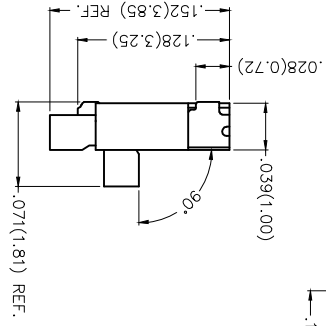
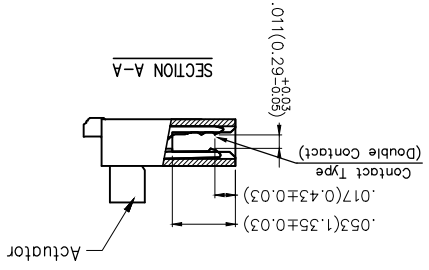
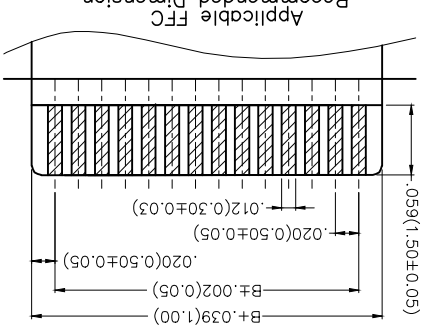


REV	LOCATIONS	DESCRIPTION	DATE	REVISER	APPD

Electrical
SPECIFICATIONS
 Current Rating: 0.5A AC(rms)/DC
 Voltage Rating: 25V AC(rms)/DC
 Contact Resistance: 50 mΩ Max
 Insulation Resistance: 500 MΩ MIN
 Withstanding Voltage: 200V AC r.m.s
 Temperature Range—Operating: -25°C~+85°C
 Material And Plating
 Housing: Thermoplastic UL94V-0/Natural
 Actuator: Thermoplastic UL94V-0/Black
 Contact: Copper Alloy/Gold plated/Gold in contact
 area, matte tin on tail
 LEG: Copper Alloy/Tin plated



1	Category	1 FFC-FPC	2	Series Number	2 050-Pitch0.50mm
3	Distinction No.	4 XX	3	Circuits	5
4	Assemble Layout	6	Entry Angle	8	B- 90° Angle
5	Material-Resin	11	Color-Resin	12	M-Reel Packaging
6	Material-Resin	10	3-LCP	11	W5-Housing:Natural, Actuator:Black
7	Contact Type	7	D-Double Contact	8	1-ZIF
8	Plating	9	1-Gold plated	10	3-Gold in contact area, matte tin on tail

FFC 050 35 - XX 5
 1 2 3 4 5 6 7 8 9 10 11 12
 W5 M

Ordering Information

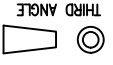
1	GENERAL TOLERANCES (UNLESS SPECIFIED)	APPROVE BY	DATE	PART NO.	ITEM NO.
2	THIRD ANGLE PROJECTION	FRANK	18/JUN/13	FFC05035-XXSBD1X3W5M	FFC05035
3	DESIGN UNITS Inch (metric)	CHECKED BY	DATE	TITLE	REV 0
4	SCALE 5:1	CHERRY	18/JUN/13	FPC/FCC connector 0.5mm Double contact SMT	SHEET NO. 1/3
5	SIZE A4	DRAWN BY	DATE	THIS DRAWING CONTAINS INFORMATION THAT IS PROPRIETARY TO TXGA INDUSTRIAL ELECTRONICS(Z)CO.,LTD AND SHOULD NOT BE USED WITHOUT WRITTEN PERMISSION	
6	X.XX±.004(0.10)	KATE	18/JUN/13	Leader Of Industry	
7	X.XX±.006(0.15)			TXGA	
8	X.XX±.008(0.20)				
9	X.XX±.012(0.30)				

REV	LOCATIONS	DESCRIPTION	DATE	REVISER	APPD

Circuits (n)	Part No.	Dimensions(in/mm)		
		A	B	C
4	FFC05035-04SBD13W5M	.157(4.00)	.059(1.50)	.102(2.60)
6	FFC05035-06SBD13W5M	.197(5.00)	.098(2.50)	.142(3.60)
8	FFC05035-08SBD13W5M	.236(6.00)	.138(3.50)	.181(4.60)
10	FFC05035-10SBD13W5M	.276(7.00)	.177(4.50)	.220(5.60)
12	FFC05035-12SBD13W5M	.315(8.00)	.217(5.50)	.260(6.60)
14	FFC05035-14SBD13W5M	.354(9.00)	.256(6.50)	.299(7.60)
15	FFC05035-15SBD13W5M	.374(9.50)	.276(7.00)	.319(8.10)
16	FFC05035-16SBD13W5M	.394(10.00)	.295(7.50)	.339(8.60)
18	FFC05035-18SBD13W5M	.433(11.00)	.335(8.50)	.378(9.60)
20	FFC05035-20SBD13W5M	.472(12.00)	.374(9.50)	.417(10.60)
24	FFC05035-24SBD13W5M	.551(14.00)	.453(11.50)	.496(12.60)
26	FFC05035-26SBD13W5M	.591(15.00)	.492(12.50)	.535(13.60)
30	FFC05035-30SBD13W5M	.669(17.00)	.571(14.50)	.614(15.60)
34	FFC05035-34SBD13W5M	.748(19.00)	.650(16.50)	.693(17.60)
40	FFC05035-40SBD13W5M	.866(22.00)	.768(19.50)	.811(20.60)

Note: Gold in contact area, matte tin on tail

Circuits (n)	Part No.	Dimensions(in/mm)		
		A	B	C
4	FFC05035-04SBD13W5M	.157(4.00)	.059(1.50)	.102(2.60)
6	FFC05035-06SBD13W5M	.197(5.00)	.098(2.50)	.142(3.60)
8	FFC05035-08SBD13W5M	.236(6.00)	.138(3.50)	.181(4.60)
10	FFC05035-10SBD13W5M	.276(7.00)	.177(4.50)	.220(5.60)
12	FFC05035-12SBD13W5M	.315(8.00)	.217(5.50)	.260(6.60)
14	FFC05035-14SBD13W5M	.354(9.00)	.256(6.50)	.299(7.60)
15	FFC05035-15SBD13W5M	.374(9.50)	.276(7.00)	.319(8.10)
16	FFC05035-16SBD13W5M	.394(10.00)	.295(7.50)	.339(8.60)
18	FFC05035-18SBD13W5M	.433(11.00)	.335(8.50)	.378(9.60)
20	FFC05035-20SBD13W5M	.472(12.00)	.374(9.50)	.417(10.60)
24	FFC05035-24SBD13W5M	.551(14.00)	.453(11.50)	.496(12.60)
26	FFC05035-26SBD13W5M	.591(15.00)	.492(12.50)	.535(13.60)
30	FFC05035-30SBD13W5M	.669(17.00)	.571(14.50)	.614(15.60)
34	FFC05035-34SBD13W5M	.748(19.00)	.650(16.50)	.693(17.60)
40	FFC05035-40SBD13W5M	.866(22.00)	.768(19.50)	.811(20.60)

 THIRD ANGLE PROJECTION	DESIGN UNITS Inch (metric)	X.XX±.008(0.20) X.XX±.006(0.15) X.XX±.004(0.10)	X.XX±.012(0.30) X.XX±.010(0.25) X.XX±.008(0.20)	GENERAL TOLERANCES (UNLESS SPECIFIED)	APPROVE BY FRANK	DATE 18/JUN/13	PART NO. FFC05035-XXSBD13W5M	TITLE FFC/FCC connector 0.5mm Double contact SMT	REV 0 SHEET NO. 2/3	THIS DRAWING CONTAINS INFORMATION THAT IS PROPRIETARY TO TXGA INDUSTRIAL ELECTRONICS(Z)CO.,LTD AND SHOULD NOT BE USED WITHOUT WRITTEN PERMISSION
	SCALE SIZE A4	X.XX±.008(0.20) X.XX±.006(0.15) X.XX±.004(0.10)	X.XX±.012(0.30) X.XX±.010(0.25) X.XX±.008(0.20)	DRAWN BY KATE	CHECKED BY CHERRY	DATE 18/JUN/13	ITEM NO. FFC05035	Leader Of Industry TXGA		

1 2 3 4 5 6 7 8

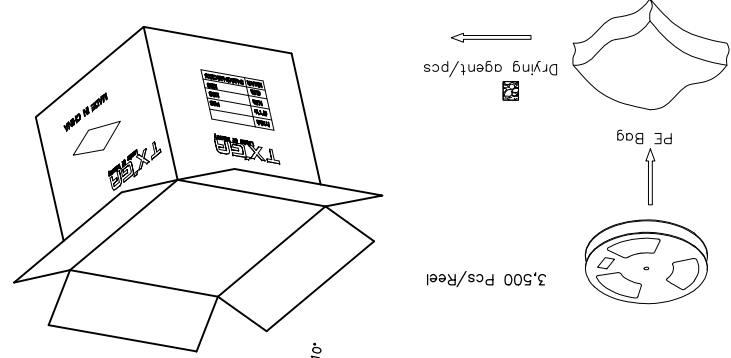
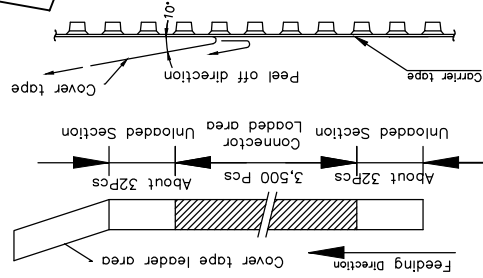
A B C D E F

REV	LOCATIONS	DESCRIPTION	DATE	REVISER	APPD

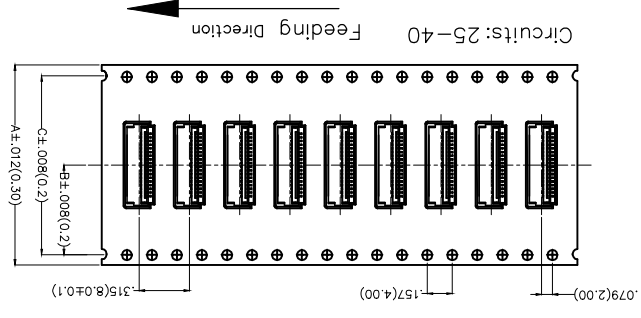
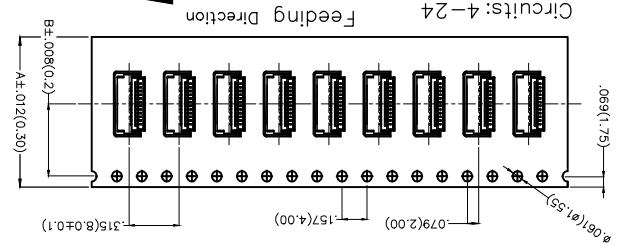
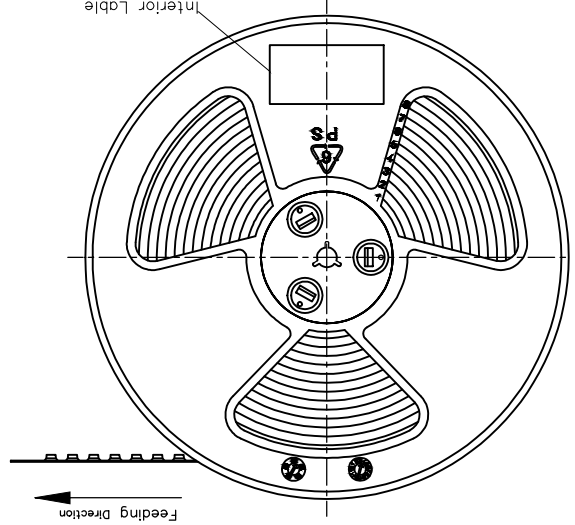
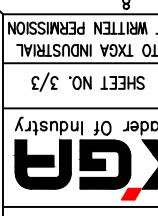
Note:

- 10 sprocket hole cumulative tolerance±0.2
- Carrier comb is within 1.0mm in 250mm
- Material: White Conductive polystyrene Alloy 100% recyclable
- All dimensions meet EIA-481-3 requirements
- Peel off force of cover tape&carrier tape: 20g~130g(0.2N~1.3N)
- Component load per 13" reel: 3,500 pcs
- Minimum Order Quantity:
- Gold in contact area, matte tin on tail: 3,500 pcs

Circuits	(n)		
	A	B	C
4~8	630(16.0)	295(7.50)	—
9~24	.945(24.0)	.453(11.50)	—
25~36	1.260(32.0)	.561(14.25)	1.122(28.50)
37~40	1.732(44.0)	.797(20.25)	1.594(40.50)



THIRD ANGLE		DESIGN UNITS		SCALE	
	(UNLESS SPECIFIED)	X.±.012(0.30)	X.±.008(0.20)	5:1	A4
APPROVE BY	DATE	CHECKED BY	DATE	DRAWN BY	DATE
FRANK	18/JUN/13	JACOB	18/JUN/13	CHEERRY	18/JUN/13
GENERAL TOLERANCES	PART NO.	FFC05035-XXSBD1X3WM	ITEM NO.	THIS DRAWING CONTAINS INFORMATION THAT IS PROPRIETARY TO TXGA INDUSTRIAL ELECTRONICS(SZ)CO.,LTD AND SHOULD NOT BE USED WITHOUT WRITTEN PERMISSION	
				REV 0	SHEET NO. 3/3



X-ON Electronics

Largest Supplier of Electrical and Electronic Components

Click to view similar products for [FFC & FPC Connectors](#) category:

Click to view products by [TXGA](#) manufacturer:

Other Similar products are found below :

[HFW11R-1STE1H1LF](#) [FH29B-100S-0.2SHW\(99\)](#) [FA5S008HP1](#) [FH29B-120S-0.2SHW\(99\)](#) [FH29B-80S-0.2SHW\(99\)](#) [FHS-16](#) [FPH-2022G](#)
[52610-1075](#) [52610-1275](#) [52610-1934](#) [XF3M\(1\)-1415-1B-R100](#) [501864-3091-TR225](#) [0525594033](#) [086210010340800](#) [086222026001800](#)
[52271-2869-CUT-TAPE](#) [62674-201121DLF](#) [62684-36210E9ALF](#) [52610-1675](#) [52746-1671-TR250](#) [10051922-2810EHLF](#) [6-520415-9](#)
[BD021-09A-A1-0350-0200-0550-LD](#) [SFV6R-1STE9HLF](#) [XF3M-2915-1B-R100](#) [1658549-1](#) [62674-221121ALF](#) [46214008010800](#)
[046298003000883](#) [151660622](#) [842-816-2630-035](#) [AYF530665TA](#) [AYF351525](#) [046296011930846+](#) [AYF352325A](#) [046254020000800+](#)
[FH19C-13S-0.5SH\(99\)](#) [FH39J-51S-0.3SHW\(99\)](#) [AYF355125A](#) [AYF530365TA](#) [FH29B-44S-0.2SHW\(99\)](#) [SFW5R-2STAE9LF](#) [AYF351125A](#)
[AYF350725A](#) [62684-502100AHLF](#) [FH39-61S-0.3SHW\(99\)](#) [AYF414035A](#) [10064555-172520HLF](#) [AYF212335A](#) [504754-2500](#)