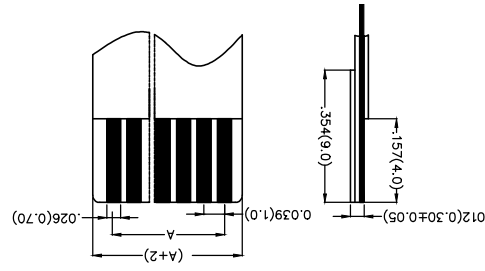
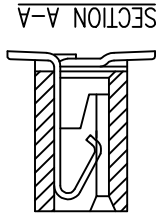
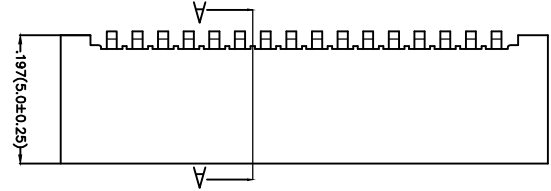
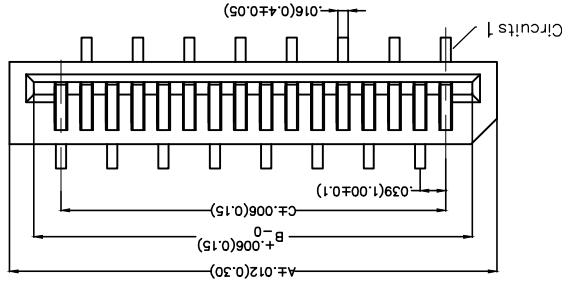
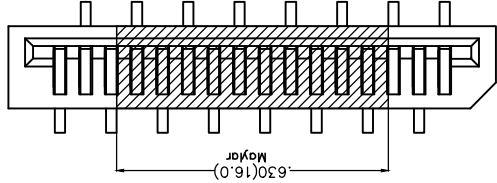


REV	LOCATIONS	DESCRIPTION	DATE	REVISER	APPD

**SPECIFICATIONS**

**Electrical**

Current Rating: 1A AC(rms)/DC  
Voltage Rating: 50V AC(rms)/DC  
Contact Resistance: 20 mΩ Max  
Insulation Resistance: 800 MΩ MIN  
Withstanding Voltage: 500V AC r.m.s  
Temperature Range—Operating: -40°C~+85°C  
Material and Plating  
Housing: PA6T UL 94V-0  
Actuator: Heat Resistant Polymer UL 94V-0  
Terminal: Copper Alloy /Tin-Plated

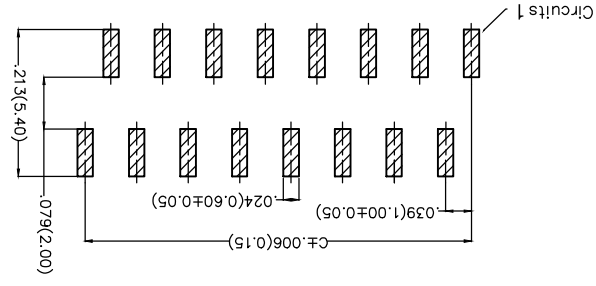


**Ordering Information**

FFC 100 31 — XX S 5 S 6 A 2 2 9 10 4 W5 M  
1 2 3 4 5 6 7 8 9 10 11 12

1	Category	2	Series Number	3	Distinction No.	4	Circuits	5	Assemble Layout	6	Entry Angle
7	Contact Position	8	ZIF	9	2-Tin Plated All	10	Material-Resin	11	Color-Resin	12	M-Reel

**A-Positive Needle Recommended P.C.Board Layout**



THIRD ANGLE PROJECTION	DESIGN UNITS Inch (metric)	SCALE	5:1
		SIZE	A4
GENERAL TOLERANCES (UNLESS SPECIFIED)	APPROVE BY	DATE	5/JUL/13
		FRANK	
PART NO.	ITEM NO.	FFC10031-XXSSA224W5M	FFC10031
		TITLE	
DATE	5/JUL/13	DATE	5/JUL/13
CHECKED BY	CHERRY	DATE	5/JUL/13
DRAWN BY	JACOB	DATE	5/JUL/13
DESIGN UNITS	X±.012(0.30)	SCALE	5:1
X±.008(0.20)	X±.006(0.15)	SIZE	A4
X±.004(0.10)	XXX±.05	THIRD ANGLE PROJECTION	

THIS DRAWING CONTAINS INFORMATION THAT IS PROPRIETARY TO TXGA INDUSTRIAL ELECTRONICS(SZ)CO.,LTD AND SHOULD NOT BE USED WITHOUT WRITTEN PERMISSION


REV 0 SHEET NO. 1/5

Leader Of Industry

**TXGA**

REV	LOCATIONS	DESCRIPTION	DATE	REVISER	APPD

Circuits (n)	Part No.	Dimensions(in/mm)			Circuits (n)	Part No.	Dimensions(in/mm)		
		A	B	C			A	B	C
4	FFC10031-04SSA224W5M	.276(7.00)	.201(5.10)	.118(3.00)	23	FFC10031-23SSA224W5M	1.028(26.00)	.949(24.10)	.866(22.00)
5	FFC10031-05SSA224W5M	.315(8.00)	.240(6.10)	.157(4.00)	24	FFC10031-24SSA224W5M	1.063(27.00)	.992(25.10)	.906(23.00)
6	FFC10031-06SSA224W5M	.354(9.00)	.280(7.10)	.197(5.00)	25	FFC10031-25SSA224W5M	1.102(28.00)	1.032(26.10)	.945(24.00)
7	FFC10031-07SSA224W5M	.394(10.00)	.319(8.10)	.236(6.00)	26	FFC10031-26SSA224W5M	1.141(29.00)	1.067(27.10)	.988(25.00)
8	FFC10031-08SSA224W5M	.433(11.00)	.358(9.10)	.276(7.00)	27	FFC10031-27SSA224W5M	1.181(30.00)	1.106(28.10)	1.028(26.00)
9	FFC10031-09SSA224W5M	.472(12.00)	.398(10.10)	.315(8.00)	28	FFC10031-28SSA224W5M	1.220(31.00)	1.145(29.10)	1.063(27.00)
10	FFC10031-10SSA224W5M	.512(13.00)	.437(11.10)	.354(9.00)	29	FFC10031-29SSA224W5M	1.256(32.00)	1.185(30.10)	1.102(28.00)
11	FFC10031-11SSA224W5M	.551(14.00)	.476(12.10)	.394(10.00)	30	FFC10031-30SSA224W5M	1.299(33.00)	1.224(31.10)	1.141(29.00)
12	FFC10031-12SSA224W5M	.591(15.00)	.516(13.10)	.433(11.00)	31	FFC10031-31SSA224W5M	1.338(34.00)	1.260(32.10)	1.181(30.00)
13	FFC10031-13SSA224W5M	.630(16.00)	.555(14.10)	.472(12.00)	32	FFC10031-32SSA224W5M	1.378(35.00)	1.302(33.10)	1.220(31.00)
14	FFC10031-14SSA224W5M	.669(17.00)	.595(15.10)	.512(13.00)	33	FFC10031-33SSA224W5M	1.417(36.00)	1.342(34.10)	1.256(32.00)
15	FFC10031-15SSA224W5M	.708(18.00)	.634(16.10)	.551(14.00)	34	FFC10031-34SSA224W5M	1.456(37.00)	1.382(35.10)	1.299(33.00)
16	FFC10031-16SSA224W5M	.748(19.00)	.673(17.10)	.591(15.00)	35	FFC10031-35SSA224W5M	1.496(38.00)	1.421(36.10)	1.338(34.00)
17	FFC10031-17SSA224W5M	.787(20.00)	.712(18.10)	.630(16.00)	36	FFC10031-36SSA224W5M	1.535(39.00)	1.460(37.10)	1.378(35.00)
18	FFC10031-18SSA224W5M	.827(21.00)	.752(19.10)	.669(17.00)	37	FFC10031-37SSA224W5M	1.575(40.00)	1.500(38.10)	1.417(36.00)
19	FFC10031-19SSA224W5M	.866(22.00)	.791(20.10)	.708(18.00)	38	FFC10031-38SSA224W5M	1.614(41.00)	1.539(39.10)	1.456(37.00)
20	FFC10031-20SSA224W5M	.906(23.00)	.831(21.10)	.748(19.00)	39	FFC10031-39SSA224W5M	1.654(42.00)	1.579(40.10)	1.496(38.00)
21	FFC10031-21SSA224W5M	.945(24.00)	.870(22.10)	.787(20.00)	40	FFC10031-40SSA224W5M	1.693(43.00)	1.618(41.10)	1.535(39.00)
22	FFC10031-22SSA224W5M	.988(25.00)	.910(23.10)	.827(21.00)					

THIRD ANGLE PROJECTION 	DESIGN UNITS Inch (metric)	X.XX±.006(0.15)	X.XX±.008(0.20)	X.XX±.012(0.30)	X.XX±.015	X.XX±.020	X.XX±.025	X.XX±.030	X.XX±.040(0.10)	X.XX±.050	X.XX±.075	X.XX±.100
	SCALE SIZE	A4	A4	A4	A4	A4	A4	A4	A4	A4	A4	A4
GENERAL TOLERANCES (UNLESS SPECIFIED)	APPROVE BY	DATE	CHECKED BY	DATE	DRAWN BY	DATE	THIS DRAWING CONTAINS INFORMATION THAT IS PROPRIETARY TO TXGA INDUSTRIAL ELECTRONICS(Z)CO.,LTD AND SHOULD NOT BE USED WITHOUT WRITTEN PERMISSION					
FRANK	5/JUL/13	5/JUL/13	CHERRY	5/JUL/13	JACOB	5/JUL/13						
PART NO.	ITEM NO.	TITLE										
FFC10031-XSSA224W5M	FFC10031	FFC .039'(1.00mm) SMT										
		REV 0										
		SHEET NO. 2/5										



Leader Of Industry

8  
7  
6  
5  
4  
3  
2  
1

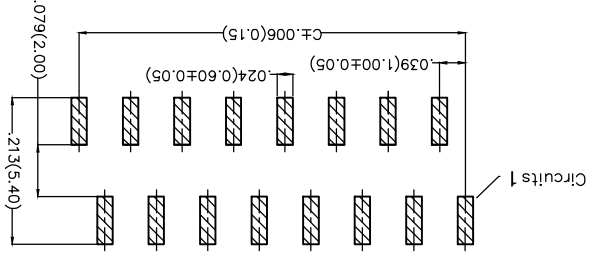
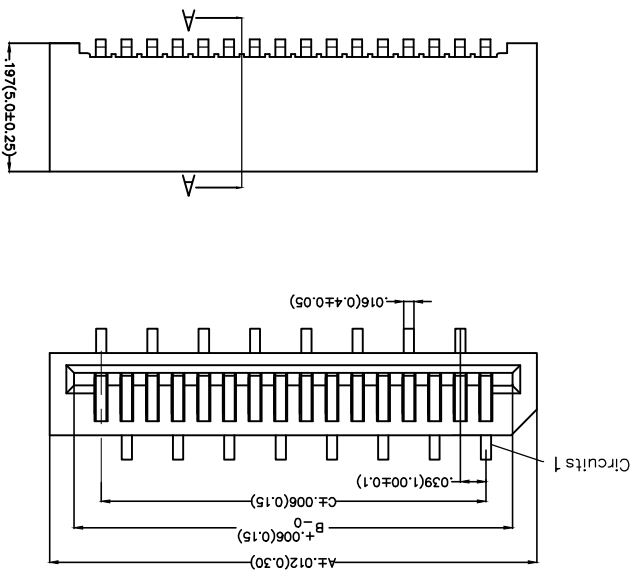
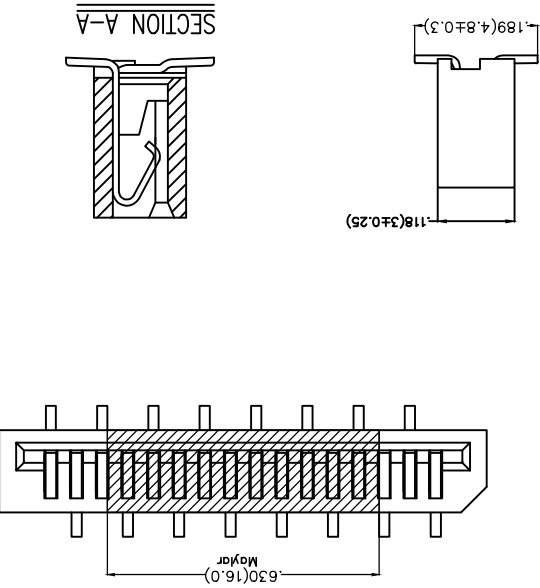
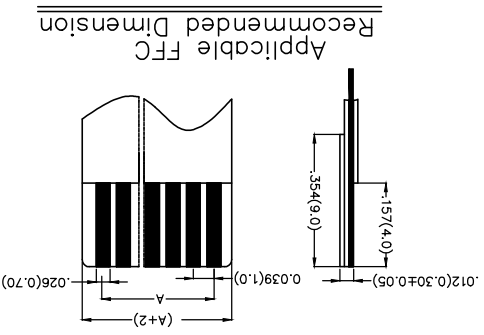
F  
E  
D  
C  
B  
A

REV	LOCATIONS	DESCRIPTION	DATE	REVISER	APPD

**SPECIFICATIONS**

**Electrical**

Current Rating: 1A AC(rms)/DC  
Voltage Rating: 50V AC(rms)/DC  
Contact Resistance: 20 mΩ Max  
Insulation Resistance: 800 MΩ MIN  
Withstanding Voltage: 500V AC r.m.s.  
Temperature Range—Operating: -40°C~+85°C  
Material and Plating  
Housing: PA6T UL 94V-0  
Actuator: Heat Resistant Polymer UL 94V-0  
Terminal: Copper Alloy /Tin-Plated



**B-Versa Needle**

**Recommended P.C. Board Layout**

THIRD ANGLE PROJECTION	DESIGN UNITS	X ±.012(0.30)
	Inch (metric)	X.X ±.008(0.20)
SCALE	SIZE	X.XX ±.006(0.15)
5:1	A4	X.XXX ±.004(0.10)

GENERAL TOLERANCES (UNLESS SPECIFIED)	APPROVE BY	DATE
X ±.012(0.30)	FRANK	5/JUL/13
X.X ±.008(0.20)	CHECKED BY	DATE
X.XX ±.01	CHERRY	5/JUL/13
X.XXX ±.004(0.10)	DRAWN BY	DATE
X.XXX ±.005	JACOB	5/JUL/13

PART NO.	ITEM NO.	REV 0	SHEET NO. 3/5
FFC10031-XXSSB224W5M	FFC10031		
TITLE		FPC .039" (1.00mm) SMT	
THIS DRAWING CONTAINS INFORMATION THAT IS PROPRIETARY TO TXGA INDUSTRIAL ELECTRONICS(SZ)CO.,LTD AND SHOULD NOT BE USED WITHOUT WRITTEN PERMISSION			


**Ordering Information**

1	FFC	100	31	—	XX	S	5	S	4	W5	M
2	Series Number	3	Distinction No.	4	Circuits	5	Assemble Layout	6	Entry Angle	12	M-Reel
3	100-1.0mm Pitch	31	XX	5	S-SMT	11	Color-Resin	12	S-Vertical		
4	Category	2	FFC-FPC	3	FFC-FPC	6	Material-Resin	11	Color-Natural		
5	Contact Position	8	B-Versa Needle	9	ZIF	2	Material-Resin	10	4-LCP		
6	2-Non ZIF	9	2-Tin Plated All	10	Plating	11	Material-Resin	12	2-Tin Plated All		



REV	LOCATIONS	DESCRIPTION	DATE	REVISER	APPD

Circuits (n)	Part No.	Dimensions(in/mm)		
		A	B	C
4	FFC10031-04SSB224W5M	.276(7.00)	.201(5.10)	.118(3.00)
5	FFC10031-05SSB224W5M	.315(8.00)	.240(6.10)	.157(4.00)
6	FFC10031-06SSB224W5M	.354(9.00)	.280(7.10)	.197(5.00)
7	FFC10031-07SSB224W5M	.394(10.00)	.319(8.10)	.236(6.00)
8	FFC10031-08SSB224W5M	.433(11.00)	.358(9.10)	.276(7.00)
9	FFC10031-09SSB224W5M	.472(12.00)	.398(10.10)	.315(8.00)
10	FFC10031-10SSB224W5M	.512(13.00)	.437(11.10)	.354(9.00)
11	FFC10031-11SSB224W5M	.551(14.00)	.476(12.10)	.394(10.00)
12	FFC10031-12SSB224W5M	.591(15.00)	.516(13.10)	.433(11.00)
13	FFC10031-13SSB224W5M	.630(16.00)	.555(14.10)	.472(12.00)
14	FFC10031-14SSB224W5M	.669(17.00)	.595(15.10)	.512(13.00)
15	FFC10031-15SSB224W5M	.708(18.00)	.634(16.10)	.551(14.00)
16	FFC10031-16SSB224W5M	.748(19.00)	.673(17.10)	.591(15.00)
17	FFC10031-17SSB224W5M	.787(20.00)	.712(18.10)	.630(16.00)
18	FFC10031-18SSB224W5M	.827(21.00)	.752(19.10)	.669(17.00)
19	FFC10031-19SSB224W5M	.866(22.00)	.791(20.10)	.708(18.00)
20	FFC10031-20SSB224W5M	.906(23.00)	.831(21.10)	.748(19.00)
21	FFC10031-21SSB224W5M	.945(24.00)	.870(22.10)	.787(20.00)
22	FFC10031-22SSB224W5M	.988(25.00)	.910(23.10)	.827(21.00)
23	FFC10031-23SSB224W5M	1.028(26.00)	.949(24.10)	.866(22.00)
24	FFC10031-24SSB224W5M	1.063(27.00)	.992(25.10)	.906(23.00)
25	FFC10031-25SSB224W5M	1.102(28.00)	1.032(26.10)	.945(24.00)
26	FFC10031-26SSB224W5M	1.141(29.00)	1.067(27.10)	.988(25.00)
27	FFC10031-27SSB224W5M	1.181(30.00)	1.106(28.10)	1.028(26.00)
28	FFC10031-28SSB224W5M	1.220(31.00)	1.145(29.10)	1.063(27.00)
29	FFC10031-29SSB224W5M	1.256(32.00)	1.185(30.10)	1.102(28.00)
30	FFC10031-30SSB224W5M	1.299(33.00)	1.224(31.10)	1.141(29.00)
31	FFC10031-31SSB224W5M	1.338(34.00)	1.260(32.10)	1.181(30.00)
32	FFC10031-32SSB224W5M	1.378(35.00)	1.302(33.10)	1.220(31.00)
33	FFC10031-33SSB224W5M	1.417(36.00)	1.342(34.10)	1.256(32.00)
34	FFC10031-34SSB224W5M	1.456(37.00)	1.382(35.10)	1.299(33.00)
35	FFC10031-34SSB224W5M	1.496(38.00)	1.421(36.10)	1.338(34.00)
36	FFC10031-36SSB224W5M	1.535(39.00)	1.460(37.10)	1.378(35.00)
37	FFC10031-37SSB224W5M	1.575(40.00)	1.500(38.10)	1.417(36.00)
38	FFC10031-38SSB224W5M	1.614(41.00)	1.539(39.10)	1.456(37.00)
39	FFC10031-39SSB224W5M	1.654(42.00)	1.579(40.10)	1.496(38.00)
40	FFC10031-40SSB224W5M	1.693(43.00)	1.618(41.10)	1.535(39.00)

THIRD ANGLE PROJECTION 	DESIGN UNITS Inch (metric)	X ±.012(0.30)	X ±.012(0.30)	X ±.008(0.20)	X ±.008(0.20)
	SCALE SIZE	A4	A4	X.XX ±.006(0.15)	X.XX ±.006(0.15)
GENERAL TOLERANCES (UNLESS SPECIFIED)	APPROVE BY	DATE	CHECKED BY	DATE	DRAWN BY
	FRANK	5/JUL/13	CHERRY	5/JUL/13	JACOB
	PART NO.	ITEM NO.	TITLE		
	FFC10031-XXSSB224W5M	FFC10031	FPC .039' (1.00mm) SMT		
		REV 0	SHEET NO. 4/5		
			THIS DRAWING CONTAINS INFORMATION THAT IS PROPRIETARY TO TXGA INDUSTRIAL ELECTRONICS(Z)CO.,LTD AND SHOULD NOT BE USED WITHOUT WRITTEN PERMISSION		



8

7

6

5

4

3

2

1

A

B

C

D

E

F

F

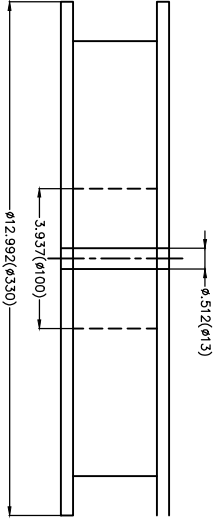
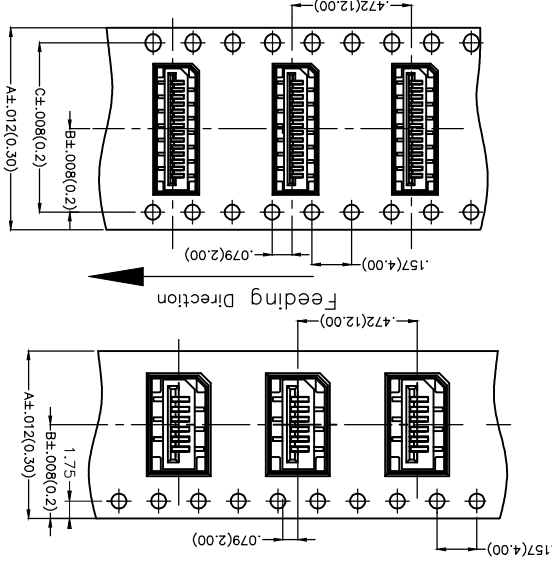
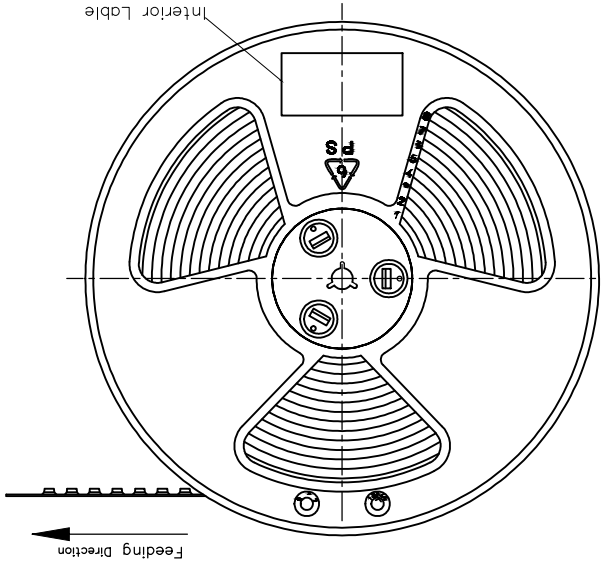
E

C

D

E

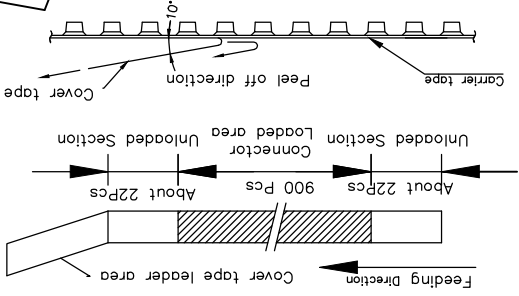
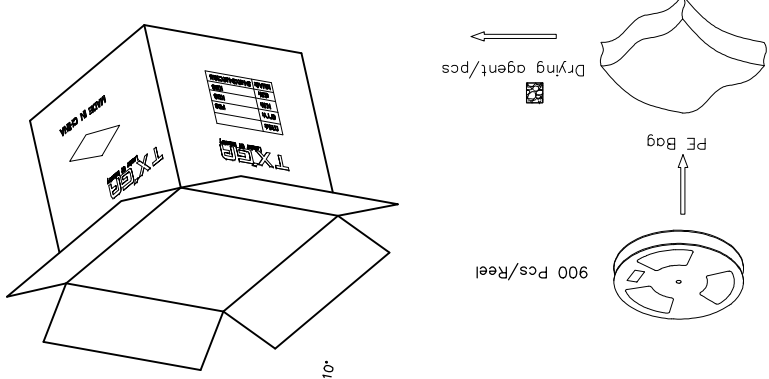
F



THIRD ANGLE PROJECTION	DESIGN UNITS	SCALE	SIZE
	Inch (metric)	5:1	A4
			XXXX±.004(0.10)
			XX±.006(0.15)
			XX±.1

GENERAL TOLERANCES (UNLESS SPECIFIED)	CHECKED BY	DATE	APPROVE BY
X±.012(0.30)	FRANK	18/JUN/13	
	JACOB	18/JUN/13	
	DATE	18/JUN/13	
	DRAWN BY	CHERRY	

PART NO.	ITEM NO.	TITLE	REV 0	SHEET NO. 5/5
FFC10031-XXSSX224W5M	FFC10031	FPC .039' (1.00mm) SMT		
DATE	APPROVE BY	DATE	REV 0	SHEET NO. 5/5
18/JUN/13	FRANK	18/JUN/13		
DATE	CHECKED BY	DATE	REV 0	SHEET NO. 5/5
18/JUN/13	JACOB	18/JUN/13		
DATE	DRAWN BY	DATE	REV 0	SHEET NO. 5/5
18/JUN/13	CHERRY	18/JUN/13		



Circuits (n)	Dimensions (in/mm)		
	A	B	C
4	.630(16.0)	.295(7.50)	—
5~12	.945(24.0)	.453(11.5)	
13~16	1.260(32.0)	.561(14.25)	1.033(28.50)
17~28	1.732(44.0)	.797(20.25)	1.594(40.50)
29~40	2.240(56.0)	1.033(26.25)	2.067(52.50)

- Note:
- 10 sprocket hole cumulative tolerance ±0.2
  - Carrier camber is within 1.0mm in 250mm
  - Material: White Conductive polystyrene Alloy 100% recyclable
  - All dimensions meet EIA-481-3 requirements
  - Peel off force of cover tape & carrier tape: 20g ~ 130g (0.2N ~ 1.3N)
  - Component load per 13" reel: 900 pcs

REV	LOCATIONS	DESCRIPTION	DATE	REVISER	APPD

## X-ON Electronics

Largest Supplier of Electrical and Electronic Components

*Click to view similar products for [FFC & FPC Connectors](#) category:*

*Click to view products by [TXGA](#) manufacturer:*

Other Similar products are found below :

[HFW11R-1STE1H1LF](#) [FH29B-100S-0.2SHW\(99\)](#) [FA5S008HP1](#) [FH29B-120S-0.2SHW\(99\)](#) [FH29B-80S-0.2SHW\(99\)](#) [FHS-16](#) [FPH-2022G](#)  
[52610-1075](#) [52610-1275](#) [52610-1934](#) [XF3M\(1\)-1415-1B-R100](#) [501864-3091-TR225](#) [0525594033](#) [086210010340800](#) [086222026001800](#)  
[52271-2869-CUT-TAPE](#) [62674-201121DLF](#) [62684-36210E9ALF](#) [52610-1675](#) [52746-1671-TR250](#) [10051922-2810EHLF](#) [6-520415-9](#)  
[BD021-09A-A1-0350-0200-0550-LD](#) [SFV6R-1STE9HLF](#) [XF3M-2915-1B-R100](#) [1658549-1](#) [62674-221121ALF](#) [46214008010800](#)  
[046298003000883](#) [151660622](#) [842-816-2630-035](#) [AYF530665TA](#) [AYF351525](#) [046296011930846+](#) [AYF352325A](#) [046254020000800+](#)  
[FH19C-13S-0.5SH\(99\)](#) [FH39J-51S-0.3SHW\(99\)](#) [AYF355125A](#) [AYF530365TA](#) [FH29B-44S-0.2SHW\(99\)](#) [SFW5R-2STAE9LF](#) [AYF351125A](#)  
[AYF350725A](#) [62684-502100AHLF](#) [FH39-61S-0.3SHW\(99\)](#) [AYF414035A](#) [10064555-172520HLF](#) [AYF212335A](#) [504754-2500](#)