

REV	LOCATIONS	DESCRIPTION	DATE	REVISER	APPD
1	△	Dimensions change	03/JAN/20	KATE	CHERRY

SPECIFICATIONS

Electrical

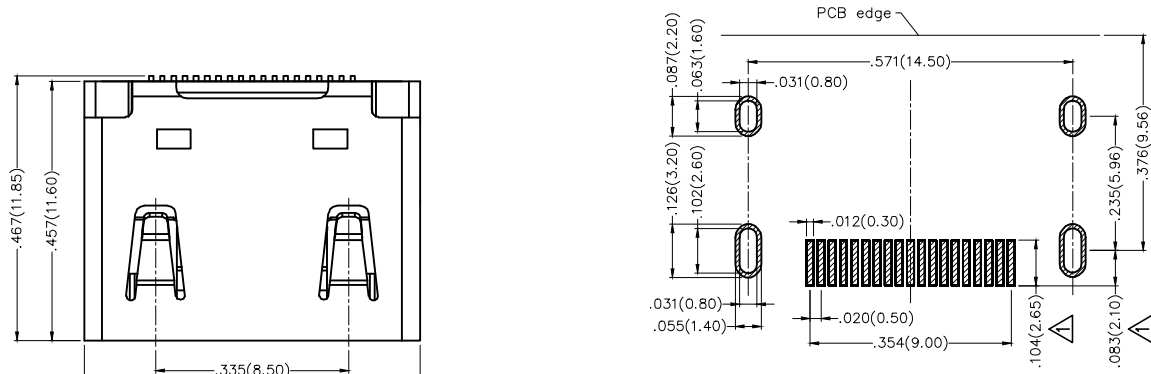
Current Rating: 0.5A AC(rms)/DC
Voltage Rating: 40V AC(rms)/DC
Contact Resistance: 10 mΩ Max
Insulation Resistance: 100 MΩ Min
Withstanding Voltage: 500V AC r.m.s
Temperature Range—Operating: -40°C~+105°C

Mechanical

Insertion Force: 4.5kgf Max.
Withdrawal Force: 1.0~4.0kgf

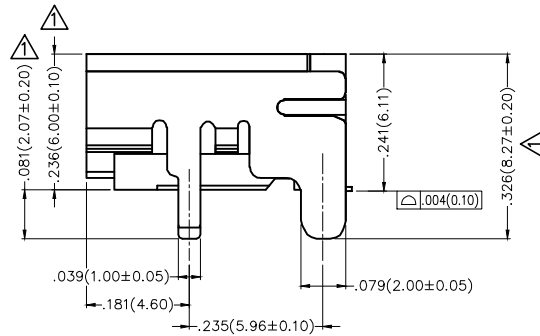
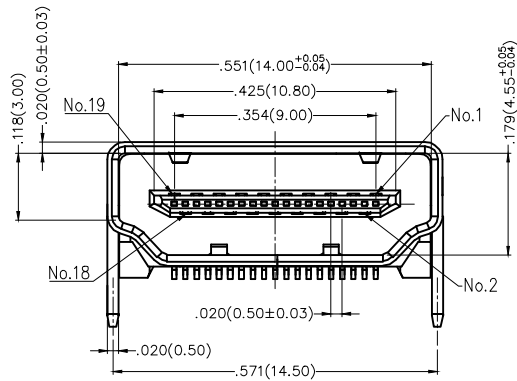
Material and Finish

Housing: LCP (UL 94V-0) Black
Contact: Brass/ Gold in contact area, matte tin on tail
Shell: Brass/ Nickel plated



Recommended P.C.Board Layout

General tolerances: ±.002(0.05)



Circuits	Signal assignment	Circuits	Signal assignment
1	TMDS Data2+	2	TMDS Data2 Shield
3	TMDS Data2-	4	TMDS Data1+
5	TMDS Data1 Shield	6	TMDS Data1-
7	TMDS Data0+	8	TMDS Data0 Shield
9	TMDS Data0-	10	TMDS Clock+
11	TMDS Clock Shield	12	TMDS Clock-
13	CEC	14	Reserved (N.C. on device)
15	SCL	16	SDA
17	DDC/CEC Ground	18	+5V Power
19	Hot Plug Detect		

 THIRD ANGLE PROJECTION	GENERAL TOLERANCES (UNLESS SPECIFIED)		APPROVE BY FRANK	DATE 09/OCT/16	PART NO. FHD22-FSB300K6M	ITEM NO. FHD22	 Leader Of Industry	
	DESIGN UNITS Inch (metric)	X.±.012(0.30) X.X±.008(0.20) X.XX±.006(0.15) X.XXX±.004(0.10)	X'±5' X'±2' .XX'±1' .XXX'±0.5'	CHECKED BY CHERRY	DATE 09/OCT/16	TITLE HDMI A/F 90° SMT		
SCALE 5:1	SIZE A4		DRAWN BY KATE	DATE 09/OCT/16	THIS DRAWING CONTAINS INFORMATION THAT IS PROPRIETARY TO TXGA INDUSTRIAL ELECTRONICS(S.Z)CO.,LTD AND SHOULD NOT BE USED WITHOUT WRITTEN PERMISSION		REV 1	SHEET NO. 1/1

X-ON Electronics

Largest Supplier of Electrical and Electronic Components

Click to view similar products for [HDMI, Displayport & DVI Connectors](#) category:

Click to view products by [TXGA](#) manufacturer:

Other Similar products are found below :

[30-1231](#) [30-528](#) [30-504](#) [30-519](#) [33DVIR-24S1B](#) [47648-2000](#) [2002-400](#) [TC142X](#) [769-103/021-000](#) [1932649-1](#) [CP30200GM3](#) [67881](#)
[HBLBH](#) [HBLBI](#) [HAFBG](#) [HAFBH](#) [HAGBF](#) [HAGBG](#) [HAGBJ](#) [HBLBJ](#) [AABIE](#) [AABIF](#) [AABIG](#) [AABIH](#) [AABIJ](#) [AABIK](#) [AACBE](#)
[AACBF](#) [AACBG](#) [ABIBF](#) [ABIBG](#) [ABIBH](#) [AACBH](#) [AACBI](#) [AACBJ](#) [AACBK](#) [AACBL](#) [AAIBD](#) [AAIBF](#) [AAIBI](#) [AANBJ](#) [AAQBG](#)
[AAQBH](#) [AAQBI](#) [AARBG](#) [AARBH](#) [AARBI](#) [AAXBD](#) [ABA AF](#) [ABBBF](#)