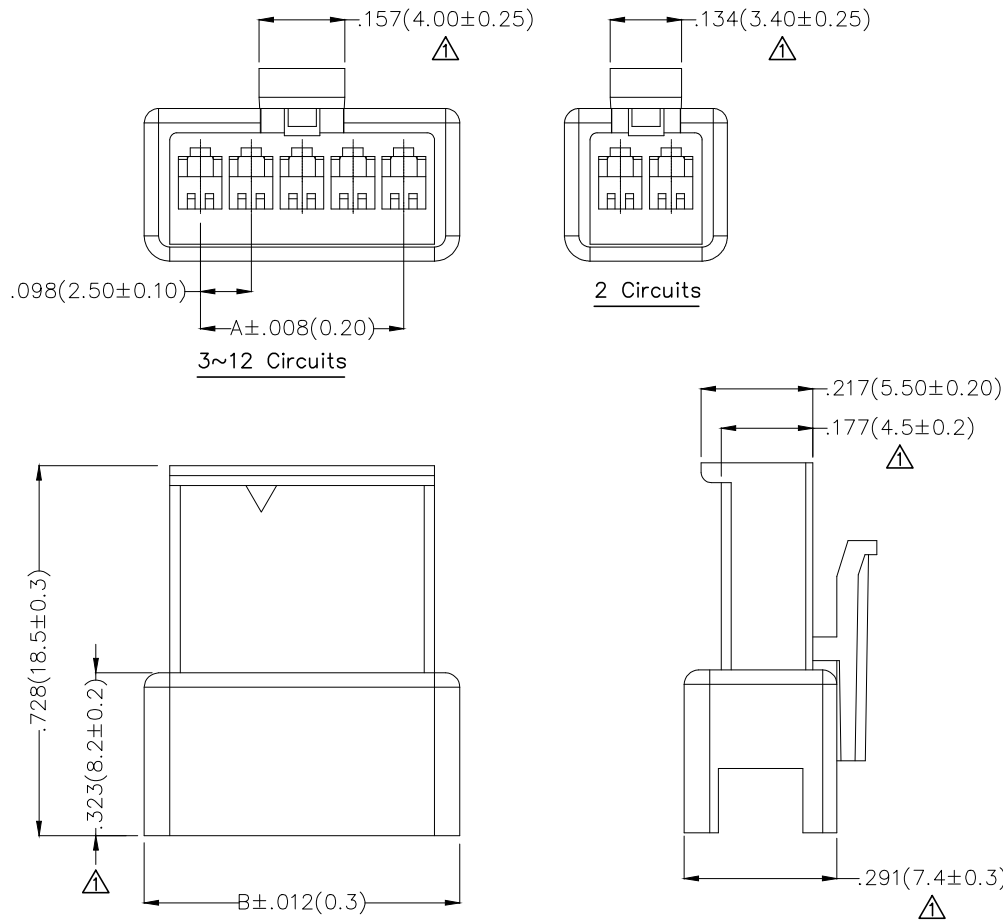


REV	LOCATIONS	DESCRIPTION	DATE	REVISER	APPD
1	△	Size changes	21/APR/21	KATE	JOHNNY

Electrical
 Temperature Range—Operating: $-25^{\circ}\text{C}\sim+85^{\circ}\text{C}$
 Material
 Housing: PA66 (UL 94V-0)
 Applicable Terminal: FT25010
 Mates With(Housing): FHG25010 Series



Circuits (n)	Part No.	Dimensions(in/mm)	
		A	B
2	FHG25011-S02F2K6B	.098(2.50)	.315(8.00)
3	FHG25011-S03F2K6B	.197(5.00)	.413(10.50)
4	FHG25011-S04F2K6B	.295(7.50)	.512(13.00)
5	FHG25011-S05F2K6B	.394(10.00)	.610(15.50)
6	FHG25011-S06F2K6B	.492(12.50)	.709(18.00)
7	FHG25011-S07F2K6B	.591(15.00)	.807(20.50)
8	FHG25011-S08F2K6B	.689(17.50)	.906(23.00)
9	FHG25011-S09F2K6B	.787(20.00)	1.004(25.50)
10	FHG25011-S10F2K6B	.886(22.50)	1.102(28.00)
12	FHG25011-S12F2K6B	1.083(27.50)	1.299(33.00)

Ordering Information

FHG 250 11 — S XX F 2 K6 B
 1 2 3 4 5 6 7 8 9

1	Category FHG—Housing	2	Series Number 250—Pitch 2.50mm	3	Distinction No. 11	4	Row Option S—Single row		
5	Circuits XX	6	Type F—Female	7	Material—Resin 2—PA66	8	Color—Resin K6—Black	9	Packaging B—PE Bag

 THIRD ANGLE PROJECTION	GENERAL TOLERANCES (UNLESS SPECIFIED)		APPROVE BY FRANK	DATE 25/JUL/13	PART NO. FHG25011-SXXF2K6B	ITEM NO. FHG25011	 Leader Of Industry	
	DESIGN UNITS Inch (metric)	X.±.012(0.30)	X.'±5'	CHECKED BY JACOB	DATE 25/JUL/13	TITLE Wire to Wire Pitch 2.50mm(Housing)		REV 1
	SCALE 5:1	X.X±.008(0.20)	.X'±2'	DRAWN BY CHERRY	DATE 25/JUL/13	THIS DRAWING CONTAINS INFORMATION THAT IS PROPRIETARY TO TXGA INDUSTRIAL ELECTRONICS(S.Z)CO.,LTD AND SHOULD NOT BE USED WITHOUT WRITTEN PERMISSION		
	SIZE A4	X.XX±.006(0.15)	.XX±1'					

X-ON Electronics

Largest Supplier of Electrical and Electronic Components

Click to view similar products for [Headers & Wire Housings](#) category:

Click to view products by [TXGA](#) manufacturer:

Other Similar products are found below :

[0015917161](#) [0022155065](#) [57102-F02-18ULF](#) [58102-G61-06LF](#) [582553-1](#) [01.001.5753.1](#) [0050291907](#) [02.125.8002.8](#) [609-3404](#) [61062-3](#)
[CSU011177004](#) [622-0430](#) [622-3653LF](#) [63453-116](#) [636-1030](#) [636-1427](#) [636-3427](#) [636-4007](#) [641938-9](#) [65495-038](#) [65692-001LF](#) [65781-018](#)
[65781-047](#) [65817-010LF](#) [65817-015LF](#) [67095-007LF](#) [67601157](#) [68631-112](#) [68645-018](#) [699319-000](#) [70.362.1628.0](#) [70-4210](#) [70-4226B](#) [70-](#)
[4853B](#) [71.350.2428.0](#) [733-134](#) [733-162](#) [760-3052](#) [MHR-64-VUAL](#) [80.063.4001.1](#) [800-90-001-10-001000](#) [801-43-002-10-013000](#)
[801-43-006-10-002000](#) [803-43-024-10-001000](#) [803-93-012-10-001000](#) [8-1437020-4](#) [819-22-004-30-001101](#) [820-22-006-30-001101](#)
[820-22-008-30-001101](#) [821-22-002-10-001101](#)