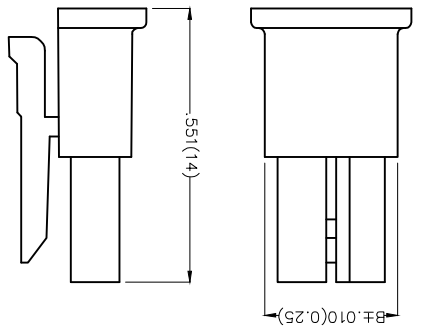
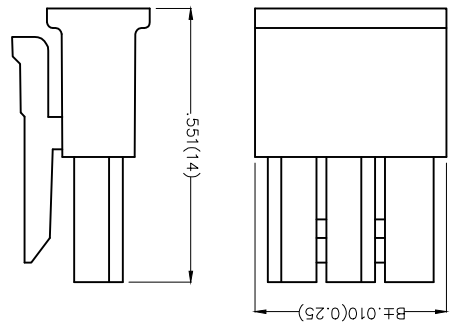
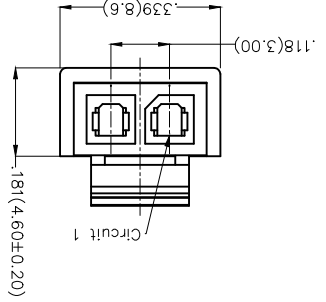
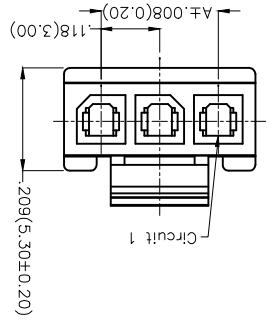
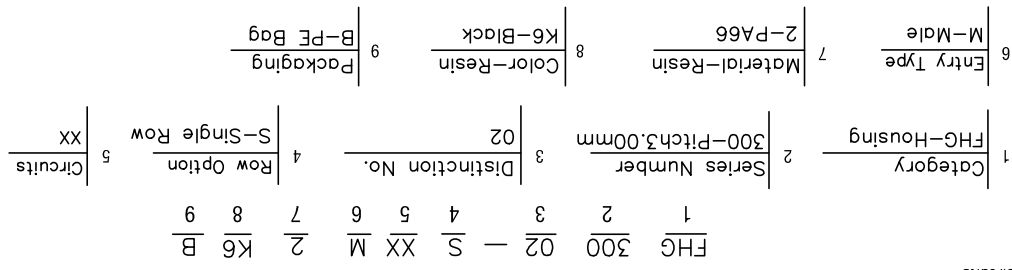


REV	LOCATIONS	DESCRIPTION	DATE	REVISER	APPD

Electrical  
 Temperature Range—Operating: -25°C~+85°C  
 Material  
 Housing: PA66 (UL 94V-0)  
 Applicable Terminal: FT30001  
 Mates With: FHG30004Series

Circuits (n)	Part No.		Circuits
	A	B	
2	FHG30002-S02M2K6B	.118(3.00)	.270(6.85)
3	FHG30002-S03M2K6B	.236(6.00)	.388(9.85)
4	FHG30002-S04M2K6B	.354(9.00)	.506(12.85)
5	FHG30002-S05M2K6B	.472(12.00)	.624(15.85)
6	FHG30002-S06M2K6B	.591(15.00)	.742(18.85)
7	FHG30002-S07M2K6B	.709(18.00)	.860(21.85)
8	FHG30002-S08M2K6B	.827(21.00)	.978(24.85)
9	FHG30002-S09M2K6B	.945(24.00)	1.096(27.85)
10	FHG30002-S10M2K6B	1.063(27.00)	1.215(30.85)
11	FHG30002-S11M2K6B	1.181(30.00)	1.333(33.85)
12	FHG30002-S12M2K6B	1.299(33.00)	1.451(36.85)

### Ordering Information



THIRD ANGLE PROJECTION	X.±.012(0.30)	X.±.7	X.±.5	DATE	25/JUN/13	APPROVE BY	FRANK	DATE	25/JUN/13	PART NO.	FHG30002-SXXM2K6B	ITEM NO.	FHG30002
DESIGN UNITS	X.±.008(0.20)	X.±.2	JACOB	DATE	25/JUN/13	CHECKED BY	JACOB	DATE	25/JUN/13	TITLE	Wire to Board Pitch 3.0mm(Housing)	REV 0	SHEET NO. 1/1
SCALE	5:1	A4	CHERRY	DATE	25/JUN/13	DRAWN BY	CHERRY	DATE	25/JUN/13	THIS DRAWING CONTAINS INFORMATION THAT IS PROPRIETARY TO TXGA INDUSTRIAL ELECTRONICS(SZ)CO.,LTD AND SHOULD NOT BE USED WITHOUT WRITTEN PERMISSION			



## X-ON Electronics

Largest Supplier of Electrical and Electronic Components

*Click to view similar products for [Headers & Wire Housings](#) category:*

*Click to view products by [TXGA](#) manufacturer:*

Other Similar products are found below :

[95000-104TRLF](#) [10135584-644402LF](#) [DF62W-EP2022PCA](#) [95000-106TRLF](#) [DF62W-2022SCA](#) [DF62W-EP2022PC](#) [2203348](#) [DF62W-2022SC](#) [1084018](#) [1029039](#) [1084017](#) [802-10-012-10-002000](#) [1112640](#) [1112639](#) [891-007-9SS-BST1T](#) [000-34000](#) [0008550134](#) [0009482033](#) [0009507031](#) [57102-F02-18ULF](#) [57102-S06-03LF](#) [57202-S52-04LF](#) [PCN6-15S-2.5E](#) [0039019024](#) [58102-G61-06LF](#) [582553-1](#) [0009485154](#) [0009508121](#) [0022285053](#) [0050291907](#) [018731A](#) [LY20-4P-DT1-P1E-BR](#) [02.125.8002.8](#) [60101931](#) [60598-1 \(Cut Strip\)](#) [M1625-3R/100](#) [61062-3](#) [61082-181009](#) [CSU011177004](#) [636-1427](#) [638009-1](#) [641938-9](#) [641991-4](#) [644168-1](#) [644827-2](#) [647662-1](#) [65039-019ELF](#) [65692-001LF](#) [65781-018](#) [65781-047](#)