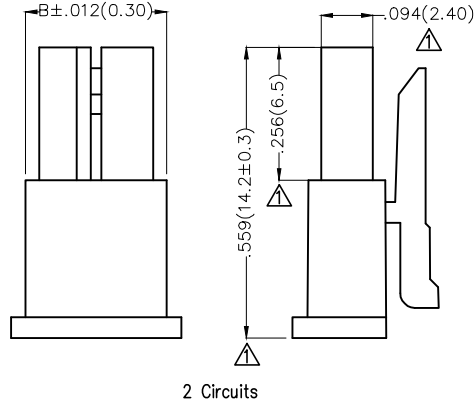
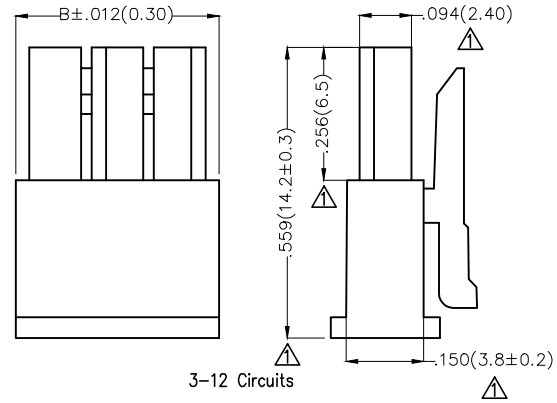
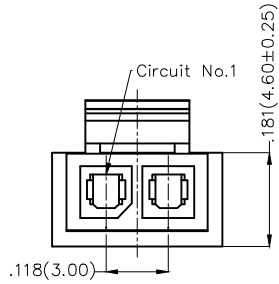
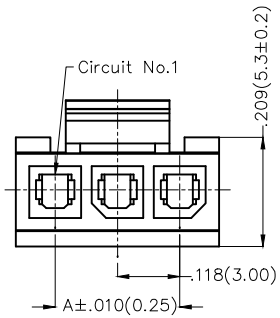


REV	LOCATIONS	DESCRIPTION	DATE	REVISER	APPD
1	△	Size changes	17/JUN/20	KATE	CHERRY

Electrical
 Temperature Range—Operating: -25°C~+85°C
 Material
 Housing: PA66(UL 94V-0)
 Applicable Terminal: FT30001
 Mates With: FHG30004 Series



Circuits (n)	Part No.	Dimensions(in/mm)	
		A	B △
2	FHG30002-S02M2K6B	.118(3.00)	.276(7.00)
3	FHG30002-S03M2K6B	.236(6.00)	.394(10.00)
4	FHG30002-S04M2K6B	.354(9.00)	.512(13.00)
5	FHG30002-S05M2K6B	.472(12.00)	.630(16.00)
6	FHG30002-S06M2K6B	.591(15.00)	.748(19.00)
7	FHG30002-S07M2K6B	.709(18.00)	.866(22.00)
8	FHG30002-S08M2K6B	.827(21.00)	.984(25.00)
9	FHG30002-S09M2K6B	.945(24.00)	1.102(28.00)
10	FHG30002-S10M2K6B	1.063(27.00)	1.220(31.00)
11	FHG30002-S11M2K6B	1.181(30.00)	1.339(34.00)
12	FHG30002-S12M2K6B	1.299(33.00)	1.457(37.00)

Ordering Information

FHG 300 02 — S XX M 2 K6 B
 1 2 3 4 5 6 7 8 9

1 Category FHG—Housing	2 Series Number 300—Pitch3.00mm	3 Distinction No. 02	4 Row Option S—Single Row	5 Circuits XX
6 Entry Type M—Male	7 Material—Resin 2—PA66	8 Color—Resin K6—Black	9 Packaging B—PE Bag	

 THIRD ANGLE PROJECTION	GENERAL TOLERANCES (UNLESS SPECIFIED)		APPROVE BY FRANK	DATE 25/JUN/13	PART NO. FHG30002-SXXM2K6B	ITEM NO. FHG30002	 Leader Of Industry		
	DESIGN UNITS Inch (metric)	X.±.012(0.30) X.X±.008(0.20) X.XX±.006(0.15) X.XXX±.004(0.10)	X.'±5' .X'±2' .XX'±1" .XXX'±0.5'	CHECKED BY JACOB	DATE 25/JUN/13	TITLE Wire to Board Pitch 3.0mm(Housing)		REV 1	SHEET NO. 1/1
	SCALE 5:1	SIZE A4		DRAWN BY CHERRY	DATE 25/JUN/13	THIS DRAWING CONTAINS INFORMATION THAT IS PROPRIETARY TO TXGA INDUSTRIAL ELECTRONICS(S.Z)CO.,LTD AND SHOULD NOT BE USED WITHOUT WRITTEN PERMISSION			

X-ON Electronics

Largest Supplier of Electrical and Electronic Components

Click to view similar products for [Headers & Wire Housings](#) category:

Click to view products by [TXGA](#) manufacturer:

Other Similar products are found below :

[0015917161](#) [0022155065](#) [57102-F02-18ULF](#) [58102-G61-06LF](#) [582553-1](#) [01.001.5753.1](#) [0050291907](#) [02.125.8002.8](#) [609-3404](#) [61062-3](#)
[CSU011177004](#) [622-0430](#) [622-3653LF](#) [63453-116](#) [636-1030](#) [636-1427](#) [636-3427](#) [636-4007](#) [641938-9](#) [65495-038](#) [65692-001LF](#) [65781-018](#)
[65781-047](#) [65817-010LF](#) [65817-015LF](#) [67095-007LF](#) [67601157](#) [68631-112](#) [68645-018](#) [699319-000](#) [70.362.1628.0](#) [70-4210](#) [70-4226B](#) [70-](#)
[4853B](#) [71.350.2428.0](#) [733-134](#) [733-162](#) [760-3052](#) [MHR-64-VUAL](#) [80.063.4001.1](#) [800-90-001-10-001000](#) [801-43-002-10-013000](#)
[801-43-006-10-002000](#) [803-43-024-10-001000](#) [803-93-012-10-001000](#) [8-1437020-4](#) [819-22-004-30-001101](#) [820-22-006-30-001101](#)
[820-22-008-30-001101](#) [821-22-002-10-001101](#)