

REV	LOCATIONS	DESCRIPTION	DATE	REVISER	APPD
1		Dimension: Change 1.4 into 2.5mm	28/NOV/17	KATE	VERNON
2		Structure optimization	04/MAR/19	KATE	ANDY

SPECIFICATIONS

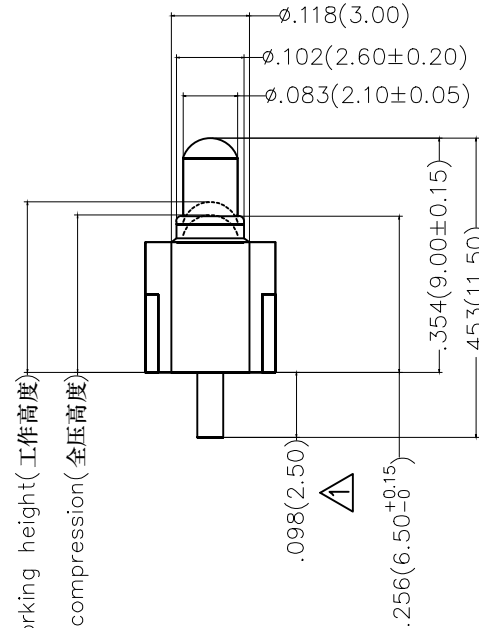
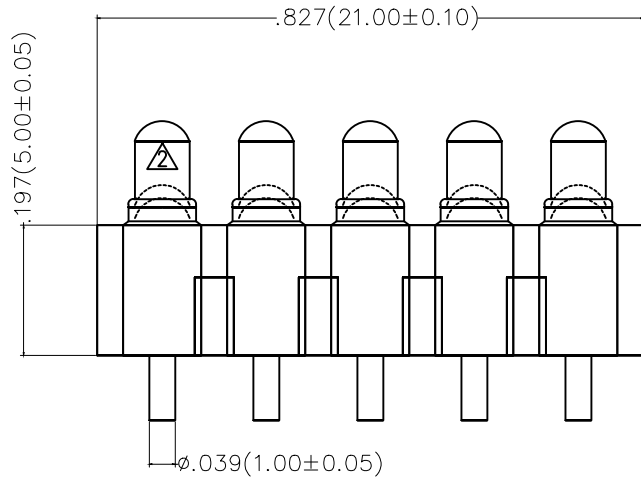
Electrical

Current Rating: 3A AC(rms)/DC  
Voltage Rating: 12V AC(rms)/DC  
Contact Resistance: 50 mΩ Max at normal working height  
Insulation Resistance: 100 MΩ Min  
Withstanding Voltage: 500V AC r.m.s  
Temperature Range-Operating: -40°C~+105°C  
Salt Spray: 24H

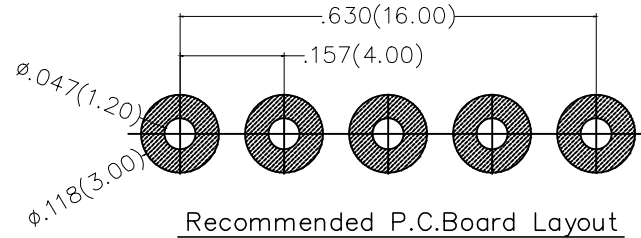
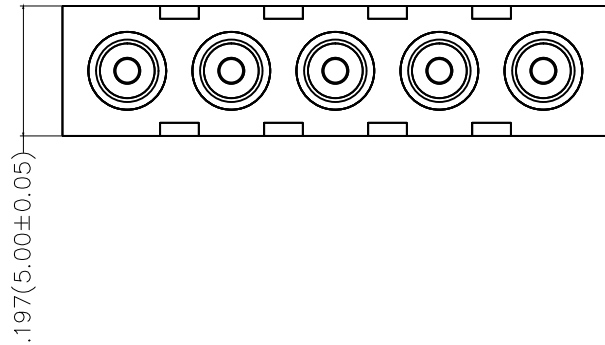
Spring force: 120g±20g at normal working height(1.5mm)  
Durability: 10,000 cycles(minimum)

Material and Plating

Housing: PA9T (UL94V-0) , Black  
Plunger: Brass/Gold Plated  
Barrel: Brass/Gold Plated  
Spring: Sus304/Gold Plated



.276(7.00) Working height(工作高度)  
.256(6.50) at Max. compression(全压高度)



Ordering Information

FBA 400 04 - S 05 S 1 XX 7 M  
1 2 3 4 5 6 7 8 9 10

1	Category FBA-Battery Holder	2	Series Number 400-Pitch4.00mm	3	Distinction No. 04	4	Row Option S-Single Row	5	Circuits 05
6	Entry Angle S-180° Vertical	7	Plating 1-Gold Plated	8	Thickness of Plating 00-Gold flash 01-1μ" 05-5μ" Custom plate available	9	Material-Resin 7-PA9T	10	Packaging M-Meel

 THIRD ANGLE PROJECTION	GENERAL TOLERANCES (UNLESS SPECIFIED)		APPROVE BY FRANK	DATE 29/SEP/17	PART NO. FPG40004-S05S1XX7M	ITEM NO. FPG40004	 Leader Of Industry	
	DESIGN UNITS Inch (metric)	X.±.012(0.30) X.X±.008(0.20) X.XX±.006(0.15) X.XXX±.004(0.10)	X.'±5' .X'±2' .XX'±1' .XXX'±0.5'	CHECKED BY CHERRY	DATE 29/SEP/17	TITLE Pogo Pin Connector Pitch 4.0mm 180° Vertical(DIP)		
SCALE 5:1	SIZE A4		DRAWN BY VERNON	DATE 29/SEP/17	THIS DRAWING CONTAINS INFORMATION THAT IS PROPRIETARY TO TXGA INDUSTRIAL ELECTRONICS(S.Z)CO.,LTD AND SHOULD NOT BE USED WITHOUT WRITTEN PERMISSION		REV 2	SHEET NO. 1/1

## X-ON Electronics

Largest Supplier of Electrical and Electronic Components

*Click to view similar products for [Coin Cell Battery Holders](#) category:*

*Click to view products by [TXGA](#) manufacturer:*

Other Similar products are found below :

[PDSN-11-D](#) [799-2007](#) [BH44AAB](#) [BH48DL](#) [BH8000](#) [MY-2430-01-R](#) [BS-16-B4AA006-R](#) [KH-CR1220-2](#) [BH-18650-A1AJ006](#) [BS-02-A1BK007](#) [BH-18650-A1AJ005](#) [BS-12-B3AA009-R](#) [BS-02-A1AK010-X](#) [BS-02-A1AJ010](#) [BS-03-A1AJ001](#) [MY-FJ-131-J-R](#) [MY-FJ-04-J-R](#) [BS-08-B2AA025](#) [BS-24-A1AJ017](#) [BH-18650-A5BJ001-2D](#) [BS-12-A1AJ002-Z](#) [BS-08-B2AA032](#) [MY-2032-04-R](#) [BS-12-B3AA011-R](#) [BS-621-B4AA001-R](#) [MY-ZJ-110](#) [MY-FJ-127-R](#) [BS-06-B4AA002-R](#) [MY-1220-04](#) [BH-AAA-A1AJ001](#) [BS-12-B3AA003-T](#) [MY-FJ-115II-R](#) [BS-06-B4AK001-R](#) [BH-18650-B1BA007](#) [MY-FJ-115II](#) [BH-AAA-B5AA001](#) [BE-13-017](#) [MY-2477-01](#) [BS-12-B3AA013](#) [BC-25-5PD-300](#) [BS-08-B2AA016-R](#) [MY-AAA-22-J](#) [MY-AA-14-J](#) [MY-AAA-24-J](#) [MY-2032-28](#) [BS-06-A4BK016](#) [MY-FJ-01](#) [MY-1025-01](#) [MY-AA-5355-J](#) [BS-05-A1BJ018](#)