

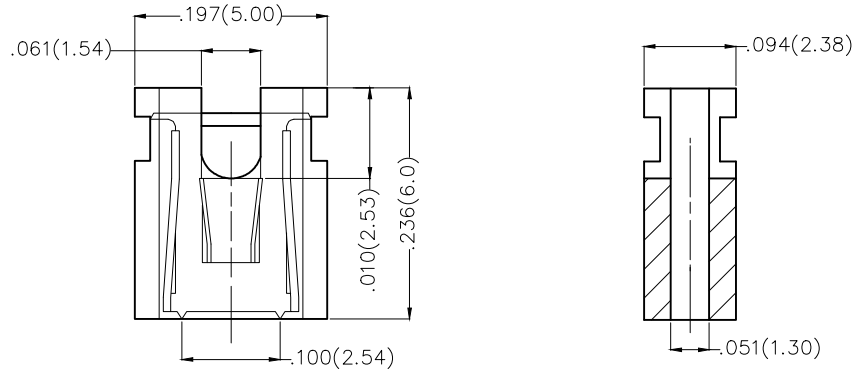
REV	LOCATIONS	DESCRIPTION	DATE	REVISER	APPD

Specifications

Current Rating: 3 Ampere
 Insulation Resistance: 1000M Ω Min.
 Withstanding Voltage: 1000V AC
 Contact Resistance: 20m Ω Max.
 Temperature Range—Operating: -40°C to +105°C

Materials

Housing: PBT UL 94V-0
 Terminal: Copper Alloy



 THIRD ANGLE PROJECTION	GENERAL TOLERANCES (UNLESS SPECIFIED)		APPROVE BY FRANK	DATE 26/JUN/13	PART NO. FR-1YF-01	ITEM NO. FR-1YF	 Leader Of Industry	
	DESIGN UNITS Inch (metric)	X.XX±.012(0.30)	X.±5'	CHECKED BY JACOB	DATE 26/JUN/13	TITLE .100' (2.54mm) PITCH Conn (Open)		REV 0
SCALE 5:1	SIZE A4	X.XX±.008(0.20)	X.±2'	DRAWN BY CHERRY	DATE 26/JUN/13	THIS DRAWING CONTAINS INFORMATION THAT IS PROPRIETARY TO TXGA INDUSTRIAL ELECTRONICS(S.Z)CO.,LTD AND SHOULD NOT BE USED WITHOUT WRITTEN PERMISSION		
		X.XX±.006(0.15)	.XX±1'					
		X.XXX±.004(0.10)	.XXX±0.5'					

X-ON Electronics

Largest Supplier of Electrical and Electronic Components

Click to view similar products for [Headers & Wire Housings](#) category:

Click to view products by [TXGA](#) manufacturer:

Other Similar products are found below :

[57102-F02-18ULF](#) [58102-G61-06LF](#) [0009485154](#) [009176003701906](#) [0050291907](#) [00-9021-0611-00-339](#) [02.125.8002.8](#) [609-3404](#) [61062-3](#)
[622-0430](#) [622-3653LF](#) [63453-116](#) [636-1030](#) [636-1427](#) [636-3427](#) [636-4007](#) [641938-9](#) [65495-038](#) [65692-001LF](#) [65781-018](#) [65781-047](#)
[65817-015LF](#) [66207-023LF](#) [67016-026LF](#) [67095-007LF](#) [68631-112](#) [68645-018](#) [68648-049](#) [699319-000](#) [M90C108951C](#) [70.362.1628.0](#) [70-](#)
[4210](#) [70-4226B](#) [70-4853B](#) [707-5020](#) [707-5028](#) [71.350.2428.0](#) [71961-016LF](#) [733-134](#) [754199-000](#) [760-3052](#) [787-8014-00](#) [FCN-367T-](#)
[T012/H](#) [80.063.4001.1](#) [800-90-001-10-001000](#) [801-43-002-10-013000](#) [801-43-006-10-002000](#) [803-41-018-10-001000](#) [803-43-014-20-001000](#)
[803-43-024-10-001000](#)