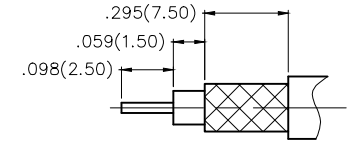
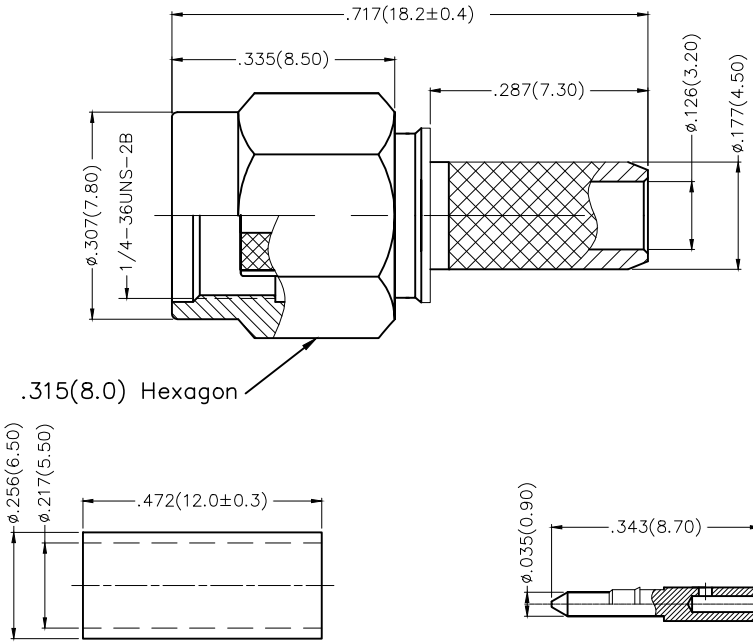


REV	LOCATIONS	DESCRIPTION	DATE	REVISER	APPD

SPECIFICATION

Electrical
 Impedance: 50Ω
 VSWR: 1.5Max
 Working Voltage: 250V AC
 Insulation Resistance: 5000MΩ Min.
 Withstand Voltage: 1000V, 50Hz rms.
 Temperature Range-Operating: -55°C~+155°C
 Relative Humidity: 95% Max. (40°C±2°C)

Material And Plating
 Insulator: TEFLON (UL 94V-0), White
 Body: Brass/ Gold Plated
 Center Pin: Brass/ Gold Plated
 Ferrule: Brass/ Gold Plated
 C-ring: SUS
 Airproof Ring: Silicone Rubber



Recommend Cutting Dim. of Cable(Ref)

Ordering Information

FRF 01 011 - P C S 1 XX B
 1 2 3 4 5 6 7 8 9

1	Category FRF-Radio Frequency	2	Series Number 01-SMA Series	3	Distinction No. 011	4	Type P-Plug	5	Assemble Layout C-Crimping Type
6	Entry Angle S-180°Vertical	7	Plating 1-Gold Plated	8	Thickness of Plating 00-Gold Flash 03-3μ* Custom plate available	9	Packaging B-PE Bag		

<p>THIRD ANGLE PROJECTION</p>	GENERAL TOLERANCES (UNLESS SPECIFIED)		APPROVE BY FRANK	DATE 20/JUL/16	PART NO. FRF01011-PCS1XXB	ITEM NO. FRF01011	<p>Leader Of Industry</p>
	X.±.012(0.30)	X.±5'	CHECKED BY KATE	DATE 20/JUL/16	TITLE SMA Plug		
DESIGN UNITS Inch (metric)	X.X±.008(0.20)	.X'±2'	DRAWN BY CHERRY	DATE 20/JUL/16	THIS DRAWING CONTAINS INFORMATION THAT IS PROPRIETARY TO TXGA INDUSTRIAL ELECTRONICS(S.Z)CO.,LTD AND SHOULD NOT BE USED WITHOUT WRITTEN PERMISSION		
SCALE 5:1	SIZE A4	X.XX±.006(0.15)	.XX'±1'				
		X.XXX±.004(0.10)	.XXX±0.5'				

X-ON Electronics

Largest Supplier of Electrical and Electronic Components

Click to view similar products for [RF Connectors / Coaxial Connectors](#) category:

Click to view products by [TXGA](#) manufacturer:

Other Similar products are found below :

[8915-1511-000](#) [89674-0827](#) [6001-7071-019](#) [6002-7051-003](#) [6059674-1](#) [619550-1](#) [630059-000](#) [M39012/25-3026](#) [M39030/3-01N](#) [6501-1071-002](#) [6769](#) [7002-1541-010](#) [7002-1572-002](#) [7003-1542-011](#) [7004-1512-000](#) [7009-1511-004](#) [7029-1511-060](#) [7101-1541-010](#) [7101-1571-002](#) [7105-1521-002](#) [7203-1571-003](#) [7209-1511-011](#) [7210-1511-015](#) [7210-1511-040](#) [7242-1511-000](#) [73216-2241](#) [73404-2300](#) [7405-1521-005](#) [7405-1521-802](#) [7406-1521-005](#) [8527](#) [8547](#) [FS11V](#) [877931](#) [8808-1511-001](#) [9049-9513-000](#) [9074-9513-000](#) [910A205F](#) [PL40-36](#) [PL40-5](#) [PL71-9](#) [980-8666-005](#) [1200690078](#) [1-201144-1](#) [120919](#) [R107003010W](#) [R110A172100](#) [R112186000](#) [R113053000W](#) [R113081000](#)