

REV	LOCATIONS	DESCRIPTION	DATE	REVISER	APPD
1	△	Part No. Change: FFR-7KA-04 To FRF05002-JSS103M	08/JUL/16	KATE	FRANK

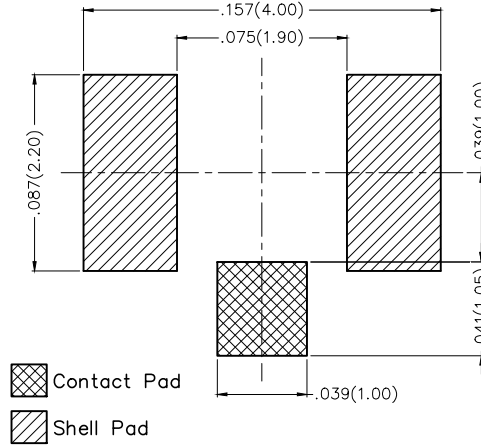
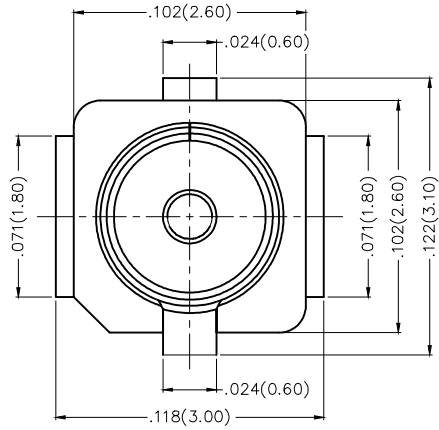
NOTES

Material

Housing: Thermoplastic (UL 94V-0), Natural  
 Contact: Copper Alloy  
 Shell: Copper Alloy

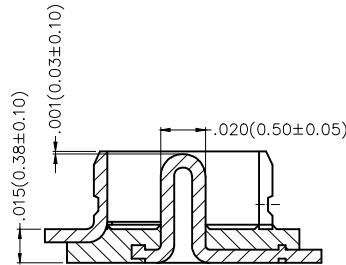
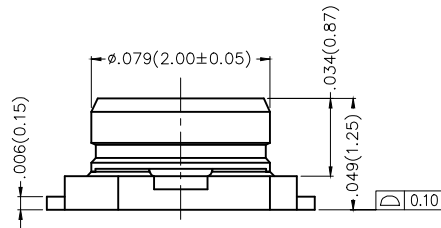
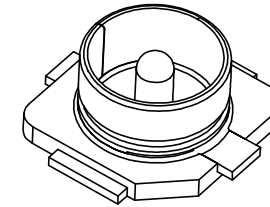
Finish

Contact: 3μ" Gold Plated On Mating Area, Gold Flash  
 On Solder Tails, Nickel Under Plated Over All.  
 Shell: Gold Flash Over Nickel



▨ Contact Pad  
 ▨ Shell Pad

Recommended P.C.Board Layout  
 General Tolerances: ±0.05mm



Ordering Information

FRF 05 002 — J S S 1 03 M  
 1 2 3 4 5 6 7 8 9

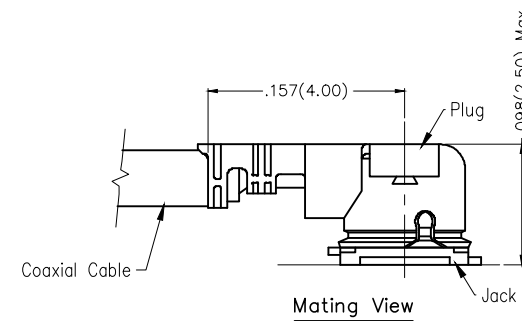
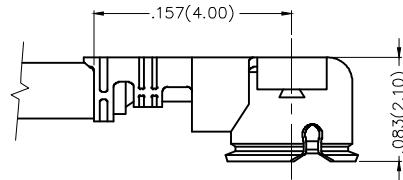
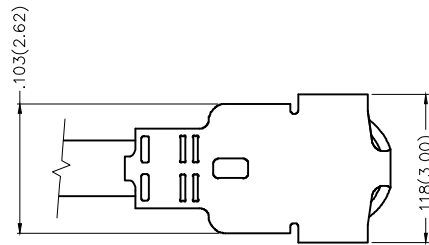
1 Category FRF-Radio Frequency	2 Series Number 05-MHF Series	3 Distinction No. 002	4 Type J-Jack	5 Assemble Layout S-SMT
6 Entry Angle S-Vertical	7 Plating 1-Gold Plated	8 Thickness of Plating 03-3μ"	9 Packaging M-Reel	

 THIRD ANGLE PROJECTION	GENERAL TOLERANCES (UNLESS SPECIFIED)		APPROVE BY FRANK	DATE 08/JUL/16	PART NO. △ FRF05002-JSS103M	ITEM NO. FRF05002	 Leader Of Industry
	X.±.012(0.30)	X'.±5'	CHECKED BY CHERRY	DATE 08/JUL/16	TITLE RF MHF I Jack		
DESIGN UNITS Inch (metric)	X.X±.008(0.20)	X'.±2'	DRAWN BY KATE	DATE 08/JUL/16	THIS DRAWING CONTAINS INFORMATION THAT IS PROPRIETARY TO TXGA INDUSTRIAL ELECTRONICS(S,Z)CO.,LTD AND SHOULD NOT BE USED WITHOUT WRITTEN PERMISSION		
SCALE 5:1	X.XX±.006(0.15)	.XX'±1"					
SIZE A4	X.XXX±.004(0.10)	.XXX'±0.5'					

REV	LOCATIONS	DESCRIPTION	DATE	REVISOR	APPD

NOTES

- Material and Plating  
 Housing: PBT (UL 94V-0), Natural  
 Contact: Copper Alloy/ 3μ" Gold Plated Over Nickel  
 Ground Contact: Copper Alloy/ 1μ" Gold Plated Over Nickel
- Applicable Cable for OD: 1.13mm (32AWG)



Ordering Information

FRF 05 002 — P E B 1 03 M A  
 1 2 3 4 5 6 7 8 9 10

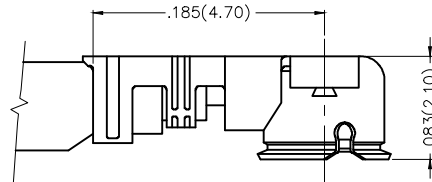
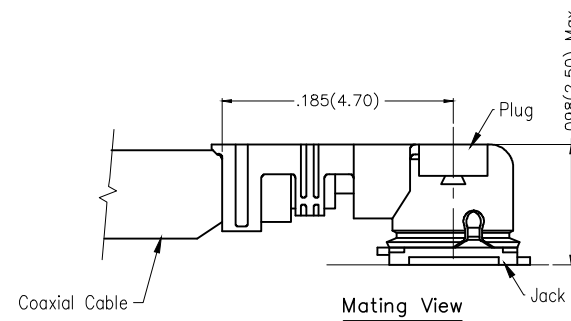
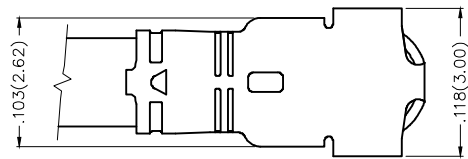
- |   |                                 |   |                                |   |                                |   |                     |   |                                    |
|---|---------------------------------|---|--------------------------------|---|--------------------------------|---|---------------------|---|------------------------------------|
| 1 | Category<br>FRF—Radio Frequency | 2 | Series Number<br>05—MHF Series | 3 | Distinction No.<br>002         | 4 | Type<br>P—Plug      | 5 | Assemble Layout<br>E—Crimping Type |
| 6 | Entry Angle<br>B—90° Angle      | 7 | Plating<br>1—Gold Plated       | 8 | Thickness of Plating<br>03—3μ" | 9 | Packaging<br>M—Reel | 9 | Type<br>A— Type A                  |

 THIRD ANGLE PROJECTION	GENERAL TOLERANCES (UNLESS SPECIFIED)		APPROVE BY FRANK	DATE 08/JUL/16	PART NO. FRF05002-PEB103MA	ITEM NO. FRF05002	 Leader Of Industry
	X.±.012(0.30)	X.±5'	CHECKED BY CHERRY	DATE 08/JUL/16	TITLE RF MHF I Plug		
DESIGN UNITS Inch (metric)	X.X±.008(0.20)	.X±2'	DRAWN BY KATE	DATE 08/JUL/16	THIS DRAWING CONTAINS INFORMATION THAT IS PROPRIETARY TO TXGA INDUSTRIAL ELECTRONICS(S,Z)CO.,LTD AND SHOULD NOT BE USED WITHOUT WRITTEN PERMISSION		
SCALE 5:1	SIZE A4	X.XX±.006(0.15)					
		X.XXX±.004(0.10)					

REV	LOCATIONS	DESCRIPTION	DATE	REVISOR	APPD

NOTES

- Material and Plating  
 Housing: PBT (UL 94V-0), Natural  
 Contact: Copper Alloy/ 3μ" Gold Plated Over Nickel  
 Ground Contact: Copper Alloy/ 1μ" Gold Plated Over Nickel
- Applicable Cable for OD: 1.80mm (30AWG)



Ordering Information

FRF 05 002 — P E B 1 03 M B  
 1 2 3 4 5 6 7 8 9 10

- |   |                                 |   |                                |   |                                |   |                     |   |                                    |
|---|---------------------------------|---|--------------------------------|---|--------------------------------|---|---------------------|---|------------------------------------|
| 1 | Category<br>FRF—Radio Frequency | 2 | Series Number<br>05—MHF Series | 3 | Distinction No.<br>002         | 4 | Type<br>P—Plug      | 5 | Assemble Layout<br>E—Crimping Type |
| 6 | Entry Angle<br>B—90° Angle      | 7 | Plating<br>1—Gold Plated       | 8 | Thickness of Plating<br>03—3μ" | 9 | Packaging<br>M—Reel | 9 | Type<br>B— Type B                  |

 THIRD ANGLE PROJECTION	GENERAL TOLERANCES (UNLESS SPECIFIED)		APPROVE BY FRANK	DATE 08/JUL/16	PART NO. FRF05002-PEB103MB	ITEM NO. FRF05002	 Leader Of Industry
	X.±.012(0.30)	X.*5'	CHECKED BY CHERRY	DATE 08/JUL/16	TITLE RF MHF I Plug		
DESIGN UNITS Inch (metric)	X.X±.008(0.20)	.X'±2'	DRAWN BY KATE	DATE 08/JUL/16	THIS DRAWING CONTAINS INFORMATION THAT IS PROPRIETARY TO TXGA INDUSTRIAL ELECTRONICS(S,Z)CO.,LTD AND SHOULD NOT BE USED WITHOUT WRITTEN PERMISSION		
SCALE 5:1	SIZE A4	X.XX±.006(0.15)	.XX±1"	X.XXX±.004(0.10)	.XX'±0.5'		

## X-ON Electronics

Largest Supplier of Electrical and Electronic Components

*Click to view similar products for [RF Connectors](#) / [Coaxial Connectors](#) category:*

*Click to view products by [TXGA](#) manufacturer:*

Other Similar products are found below :

[8915-1511-000](#) [89674-0827](#) [6001-7071-019](#) [6002-7051-003](#) [6059674-1](#) [619550-1](#) [630059-000](#) [M39012/25-3026](#) [M39030/3-01N](#) [6501-1071-002](#) [6769](#) [7002-1541-010](#) [7002-1572-002](#) [7003-1542-011](#) [7004-1512-000](#) [7009-1511-004](#) [7029-1511-060](#) [7101-1541-010](#) [7101-1571-002](#) [7105-1521-002](#) [7203-1571-003](#) [7209-1511-011](#) [7210-1511-015](#) [7210-1511-040](#) [7242-1511-000](#) [73216-2241](#) [73404-2300](#) [7405-1521-005](#) [7405-1521-802](#) [7406-1521-005](#) [8527](#) [8547](#) [FS11V](#) [877931](#) [8808-1511-001](#) [9049-9513-000](#) [9074-9513-000](#) [910A205F](#) [PL40-36](#) [PL40-5](#) [PL71-9](#) [980-8666-005](#) [1200690078](#) [1-201144-1](#) [120919](#) [R107003010W](#) [R110A172100](#) [R112186000](#) [R113053000W](#) [R113081000](#)