

REV	LOCATIONS	1	△
APPD	REVERSE	DATE	DESCRIPTION
ERIC	KATE	05/JUN/18	Part No.: Change FRJ117 into FRJ11003

SPECIFICATIONS

Electrical Performances
 Current Rating: 1.5A AC(rms)/DC
 Voltage Rating: 125V AC(rms)/DC
 Contact Resistance: 30 mΩ Max
 Insulation Resistance: 500 MΩ Min
 Withstanding Voltage: 1000V AC r.m.s

Material And Plating
 Housing: PBT UL 94V-0, Black
 Contact: Phosphor Bronze/ Gold Plated Over Nickel

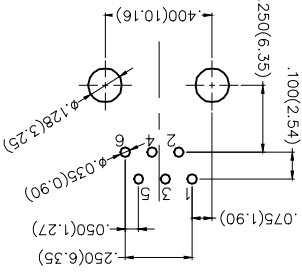
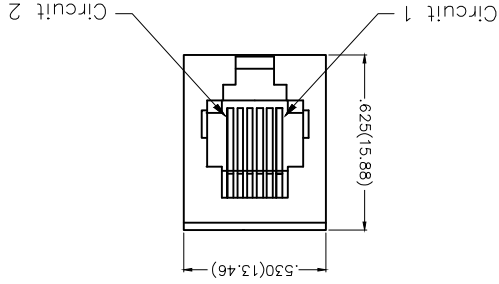
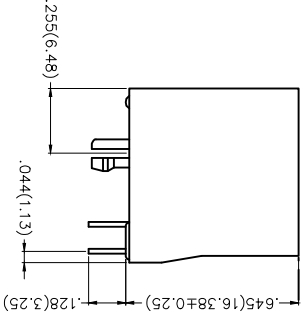
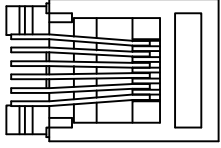
Mechanical Performances
 Mating/Unmating Force: 30N Max
 Retention Strength: 50N For 60s±5s
 Durability: 750 Cycles Min.

Environmental Characteristics
 Temperature Range-Operating: -40°C~+85°C

Ordering Information

FRJ11 003 - 1 1 XX K6 K 2 0

1	Category	FRJ11-RJ11 Connector
2	Distinction No.	003
3	Ports options	1-1 Port
4	Plating	1-Gold Plated
5	Thickness of plating	00-Gold flash 03-3μ" Custom plate available
6	Color-Resin	K6-Black
7	Packaging	K-Tray
8	Contact type	2-Round pin



Recommended P.C.Board Layout

THIRD ANGLE PROJECTION	DESIGN UNITS	Inch (metric)	
	SCALE	5:1	A4
GENERAL TOLERANCES (UNLESS SPECIFIED)	APPROVE BY	FRANK	DATE
	CHECKED BY	CHERRY	DATE
DRAWN BY	KATE	DATE	18/JUN/13
	DATE	18/JUN/13	
PART NO.	FRJ11003-11XXK6K20	ITEM NO.	FRJ11003
	RJ11 Connector 6P6C		
TITLE		RJ11 Connector 6P6C	
REV 1		SHEET NO. 1/1	
THIS DRAWING CONTAINS INFORMATION THAT IS PROPRIETARY TO TXGA INDUSTRIAL ELECTRONICS(Z)CO.,LTD AND SHOULD NOT BE USED WITHOUT WRITTEN PERMISSION			



X-ON Electronics

Largest Supplier of Electrical and Electronic Components

Click to view similar products for [Modular Connectors](#) / [Ethernet Connectors](#) category:

Click to view products by [TXGA](#) manufacturer:

Other Similar products are found below :

[RJE231881317T](#) [MP1010RX-1000](#) [MP44RX-1000](#) [GAX-3-66](#) [GAX-8-62](#) [93606-0253](#) [GD-A-44](#) [GDCX-PA-66-50](#) [GDCX-PN-64](#) [GDCX-PN-66](#) [GDCX-PN-66-50](#) [GDLX-A-66](#) [GDLX-A-88](#) [GDLX-N-66](#) [GDLX-S-88K](#) [GDTX-S-88-50](#) [GDX-PA-1010](#) [GLX-N-1010M-BLK](#) [GLX-N-44M](#) [GLX-S-88M-BLK](#) [GMX-N-1010](#) [GMX-S-1010](#) [GMX-S-66](#) [GMX-SMT2-N-1010](#) [GMX-SMT2-N-64-50](#) [GMX-SMT2-S6-88](#) [GMX-SMT4-N-88](#) [GPX-2-64](#) [GRT1-BT1-5](#) [GSGX-N-2-88](#) [GSX-NS2-88-3.05](#) [GSX-NS2-88-3.05-50](#) [GSX-NS-88-3.05-30](#) [GSX-NS-88-3.05-50](#) [GSX-NS-88-3.68](#) [1-1775629-2](#) [GWLX-S-88-GR](#) [GWLX-S9-88-YG](#) [1300500326](#) [1300500227](#) [1300530003](#) [1300570002](#) [1324640-4](#) [RJ11FTVC2G](#) [RJ11FTVC2N](#) [RJFTVX2SA1G](#) [132764-001](#) [1400000](#) [1413176](#) [1413235](#)