

REV	LOCATIONS	DESCRIPTION	DATE	REVISER	APPD

SPECIFICATIONS

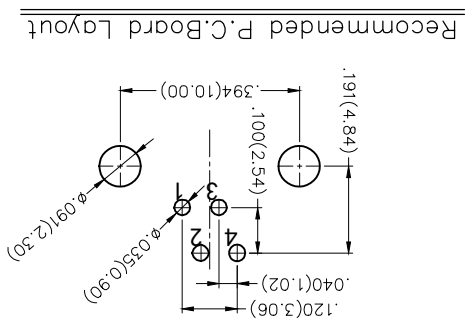
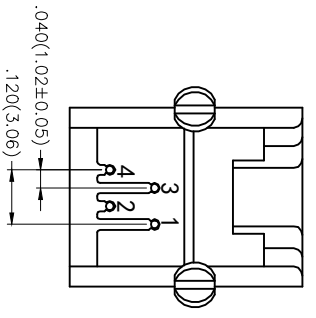
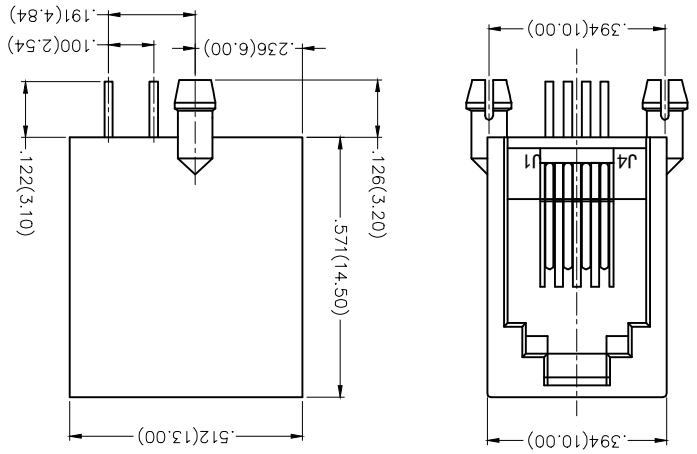
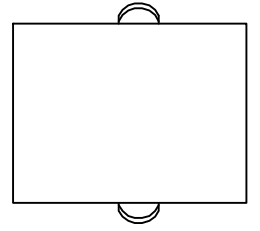
Electrical Performances
 Current Rating: 1.5A AC(rms)/DC
 Voltage Rating: 125V AC(rms)/DC
 Contact Resistance: 30 mΩ Max
 Insulation Resistance: 500 MΩ Min
 Withstanding Voltage: 1000V AC r.m.s
 Temperature Range—Operating: -40°C~+85°C
Mechanical
 Durability: 750 Cycles Min.
 Insertion force: 2.2KG.F Max.
 Retention strength: 7.7KG.F between jack and plug
Material and Plating
 Housing: PBT (UL 94V-0) Black
 Contact: Phosphor Bronze/ Gold plated

Ordering Information

FRJ11 008 — 1 1 XX K6 K 7 8
 1 2 3 4 5 6 7 8

1	Category	FRJ11-RJ11 Connector
2	Distinction No.	008
3	Ports options	1-1 Port
4	Plating	1-Gold plated
5	Thickness of plating	00-Gold flash 03-3μ Custom plate available
6	Color-Resin	K6-Black
7	Packaging	K-Tray
8	Contact type	2-Round pin

THIRD ANGLE PROJECTION	DESIGN UNITS	X.X±.012(0.30)	X.X±.008(0.20)	X.X±.006(0.15)	X.XX±.05
	SCALE	5:1	A4	GENERAL TOLERANCES (UNLESS SPECIFIED)	
DATE	CHECKED BY	APPROVE BY	DATE	ITEM NO.	PART NO.
16/MAR/18	FRANK	FRANK	16/MAR/18	FRJ11008	FRJ11008-11XXK6K20
DATE	CHECKED BY	APPROVE BY	DATE	TITLE	90° Angle
16/MAR/18	CHEERRY	KATE	16/MAR/18	RJ11 Connector 4P4C	REV 0
DATE	DRAWN BY	DRAWN BY	DATE	REVISION	SHEET NO. 1/1
16/MAR/18	KATE	KATE	16/MAR/18	THIS DRAWING CONTAINS INFORMATION THAT IS PROPRIETARY TO TXGA INDUSTRIAL ELECTRONICS(SZ)CO.,LTD AND SHOULD NOT BE USED WITHOUT WRITTEN PERMISSION	8



Recommended P.C.Board Layout

X-ON Electronics

Largest Supplier of Electrical and Electronic Components

Click to view similar products for [Modular Connectors](#) / [Ethernet Connectors](#) category:

Click to view products by [TXGA](#) manufacturer:

Other Similar products are found below :

[RJE231881317T](#) [MP1010RX-1000](#) [MP44RX-1000](#) [GAX-3-66](#) [GAX-8-62](#) [93606-0253](#) [GD-A-44](#) [GDCX-PA-66-50](#) [GDCX-PN-64](#) [GDCX-PN-66](#) [GDCX-PN-66-50](#) [GDLX-A-66](#) [GDLX-A-88](#) [GDLX-N-66](#) [GDLX-S-88K](#) [GDTX-S-88-50](#) [GDX-PA-1010](#) [GLX-N-1010M-BLK](#) [GLX-N-44M](#) [GLX-S-88M-BLK](#) [GMX-N-1010](#) [GMX-S-1010](#) [GMX-S-66](#) [GMX-SMT2-N-1010](#) [GMX-SMT2-N-64-50](#) [GMX-SMT2-S6-88](#) [GMX-SMT4-N-88](#) [GPX-2-64](#) [GRT1-BT1-5](#) [GSGX-N-2-88](#) [GSX-NS2-88-3.05](#) [GSX-NS2-88-3.05-50](#) [GSX-NS-88-3.05-30](#) [GSX-NS-88-3.05-50](#) [GSX-NS-88-3.68](#) [1-1775629-2](#) [GWLX-S-88-GR](#) [GWLX-S9-88-YG](#) [1300500326](#) [1300500227](#) [1300530003](#) [1300570002](#) [1324640-4](#) [RJ11FTVC2G](#) [RJ11FTVC2N](#) [RJFTVX2SA1G](#) [132764-001](#) [1400000](#) [1413176](#) [1413235](#)