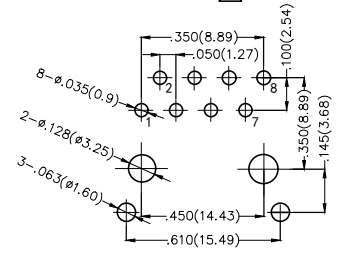
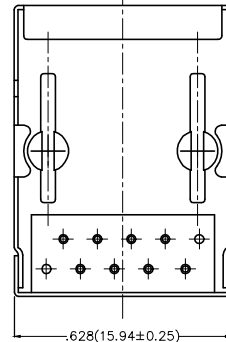
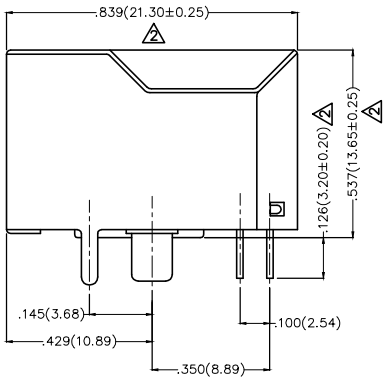
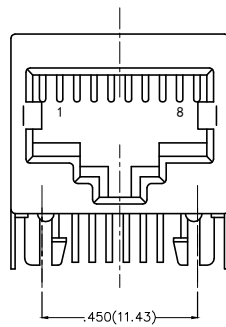


REV	LOCATIONS	DESCRIPTION	DATE	REVISER	APPD
1	△	1. Add the "TXGA" logo 2. Part No.: Change FRJ4507 into FRJ45007	01/JUN/18	Vandy	Eric
2	△	Size change	14/MAY/20	KATE	CHERRY



Recommended P.C.Board Layout

SPECIFICATIONS

Electrical Performances
 Current Rating: 1.5A AC(rms)/DC
 Voltage Rating: 125V AC(rms)/DC
 Contact Resistance: 30 mΩ Max
 Insulation Resistance: 500 MΩ MIN
 Withstanding Voltage: 1000V AC r.m.s

Material and Plating
 Housing: PBT (UL 94V-0)
 Contact: Phosphor Bronze/ Gold Plated
 Shell: Copper Alloy/ Nickel Plated

Mechanical Performances
 Mating/Unmating Force: 30N Max
 Retention Strength: 50N For 60s±5s
 Durability: 750 Cycles Min.

Environmental Characteristics
 Temperature Range-Operating: -40°C~+85°C

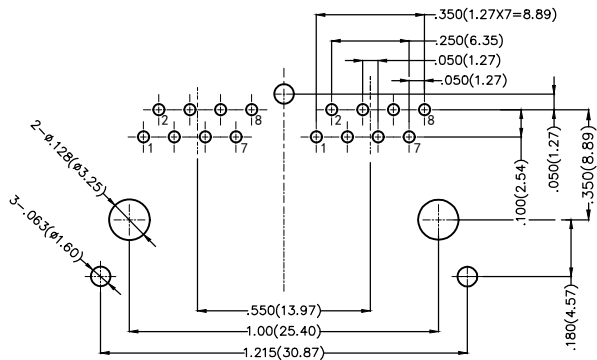
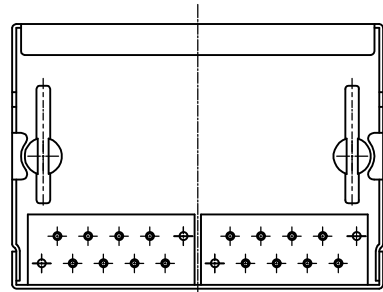
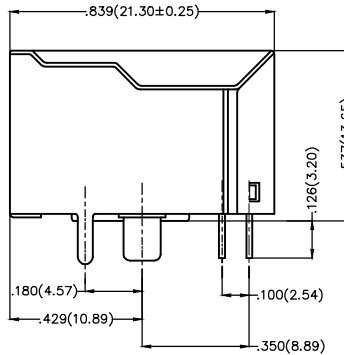
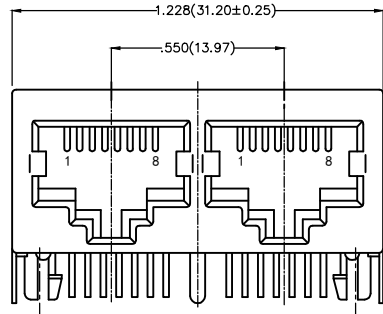
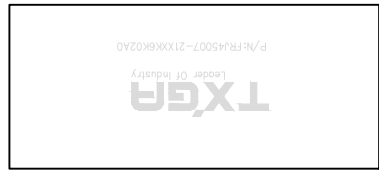
Ordering Information

FRJ45 007 — 1 1 XX K6 K 0 2 B 0
 1 2 3 4 5 6 7 8 9

1 Category FRJ45-RJ45 Connector	2 Distinction No. 007	3 Ports options 1-1 Port	4 Plating 1-Gold Plated
5 Thickness of plating 00-Gold flash 03-3μ" Custom plate available	6 Color-Resin K6-Black	7 Packaging K-Tray	8 Contact type 2-Round pin
			9 distinction type B-B type

 THIRD ANGLE PROJECTION DESIGN UNITS Inch (metric) SCALE 5:1 SIZE A4	GENERAL TOLERANCES (UNLESS SPECIFIED)		APPROVE BY FRANK	DATE 1/AUG/13	PART NO. △ FRJ45007-11XXK6K02B0	ITEM NO. FRJ45007	 Leader Of Industry	
	X.±.012(0.30)	X.±5'	CHECKED BY CHERRY	DATE 1/AUG/13	TITLE RJ45 Connector 8P8C 90° Angle			REV 2
	X.X±.008(0.20)	.X'±2'	DRAWN BY JACOB	DATE 1/AUG/13	THIS DRAWING CONTAINS INFORMATION THAT IS PROPRIETARY TO TXGA INDUSTRIAL ELECTRONICS(S.Z)CO.,LTD AND SHOULD NOT BE USED WITHOUT WRITTEN PERMISSION			
	X.XX±.006(0.15)	.XX'±1'						
	X.XXX±.004(0.10)	.XXX'±0.5'						

REV	LOCATIONS	DESCRIPTION	DATE	REVSER	APPD
1	△	1. Add the "TXGA" logo 2. Part No.: Change FRJ4507 into FRJ45007	01/JUN/18	Vandy	Eric



Recommended P.C.Board Layout

SPECIFICATIONS

Electrical Performances

Current Rating: 1.5A AC(rms)/DC
Voltage Rating: 125V AC(rms)/DC
Contact Resistance: 30 mΩ Max
Insulation Resistance: 500 MΩ MIN
Withstanding Voltage: 1000V AC r.m.s

Material and Plating

Housing: PBT (UL 94V-0)
Contact: Phosphor Bronze/ Gold Plated
Shell: Copper Alloy/ Nickel Plated

Mechanical Performances

Mating/Unmating Force: 30N Max
Retention Strength: 50N For 60s±5s
Durability: 750 Cycles Min.

Environmental Characteristics

Temperature Range-Operating: -40°C~+85°C

Ordering Information

FRJ45 007 - 2 1 XX K6 K 0 2 A 0
1 2 3 4 5 6 7 8 9

1 Category FRJ45-RJ45 Connector	2 Distinction No. 007	3 Ports options 2-2 Port	4 Plating 1-Gold Plated
5 Thickness of plating 00-Gold flash 03-3μ" Custom plate available	6 Color-Resin K6-Black	7 Packaging K-Tray	8 Contact type 2-Round pin
			9 distinction type A-A type

THIRD ANGLE PROJECTION	GENERAL TOLERANCES (UNLESS SPECIFIED)		APPROVE BY FRANK	DATE 15/JUN/16	PART NO. △ FRJ45007-21XXK6K02A0	ITEM NO. FRJ45007	 Leader Of Industry	
	DESIGN UNITS Inch (metric)	X.±.012(0.30) X.X±.008(0.20) X.XX±.006(0.15) X.XXX±.004(0.10)	X.±5" .X±2" .XX±1" .XXX±0.5"	CHECKED BY JACOB	DATE 15/JUN/16	TITLE RJ45 Connector 8P8C 90° Angle		REV 1
SCALE 5:1	SIZE A4		DRAWN BY CHERRY	DATE 15/JUN/16	THIS DRAWING CONTAINS INFORMATION THAT IS PROPRIETARY TO TXGA INDUSTRIAL ELECTRONICS(S.Z)CO.,LTD AND SHOULD NOT BE USED WITHOUT WRITTEN PERMISSION			

X-ON Electronics

Largest Supplier of Electrical and Electronic Components

Click to view similar products for [Modular Connectors](#) / [Ethernet Connectors](#) category:

Click to view products by [TXGA](#) manufacturer:

Other Similar products are found below :

[8949-H88/06BLKA/SN](#) [74441-0010/BKN](#) [PHP-6P6C-5](#) [GAX-3-66](#) [GDCX-PN-66](#) [GLX-A-44](#) [GLX-N-1010M-BLK](#) [GLX-S-88M-BLK](#)
[GMX-SMT4-N-88](#) [GSGX-N-2-88](#) [GSGX-N-4-88](#) [GSX-NS2-88-3.05](#) [GSX-NS-88-3.68](#) [PT-108A-8C-UL](#) [PTS-J531-8CS-50UL](#) [A-2014-0-4](#)
[GWLX-S9-88-YG](#) [DC-1021-8-WH-6](#) [1300530003](#) [1324640-4](#) [132764-001](#) [1413235](#) [MPS88RX-5000](#) [E5288-S000K3-L](#) [155302-001](#)
[AX101050](#) [AX101063](#) [AX101065](#) [AX101072](#) [AX101307](#) [AX101315](#) [AX101318](#) [AX102271](#) [AX102277](#) [AX102651](#) [AX102660](#) [AX104024](#)
[203475](#) [PC4D0018P](#) [KIT38082NI](#) [8949-B88/6](#) [2-6609208-5](#) [30-8956](#) [30-8964-100](#) [SM85](#) [SM99S01VBNN04G7](#) [17-103540](#) [191587](#) [PDI-68-RV](#) [PHP-8P8C-S-5](#)