

REV	LOCATIONS	DESCRIPTION	DATE	REVISER	APPD
1	△	1. Add the "TXGA" logo 2. Part No.: Change FRJ4507 into FRJ45007	01/JUN/18	Vandy	Eric



SPECIFICATIONS

Electrical Performances

Current Rating: 1.5A AC(rms)/DC
Voltage Rating: 125V AC(rms)/DC
Contact Resistance: 30 mΩ Max
Insulation Resistance: 500 MΩ MIN
Withstanding Voltage: 1000V AC r.m.s

Material and Plating

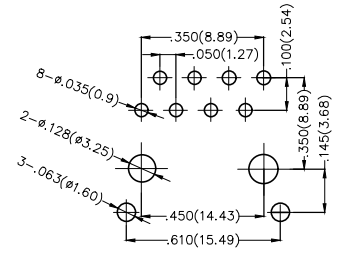
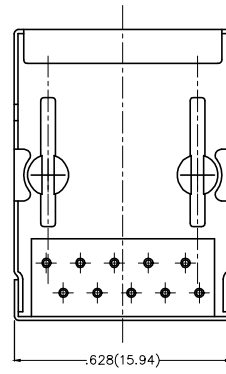
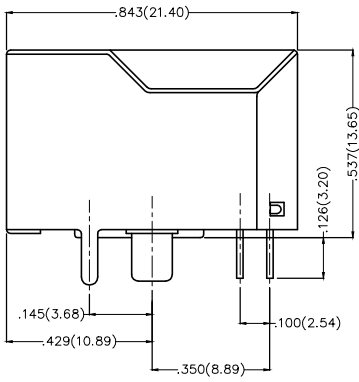
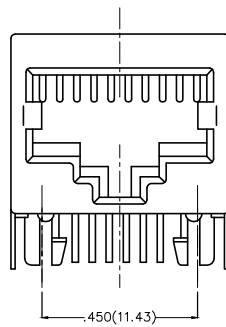
Housing: PBT (UL 94V-0)
Contact: Phosphor Bronze/ Gold Plated
Shell: Copper Alloy/ Nickel Plated

Mechanical Performances

Mating/Unmating Force: 30N Max
Retention Strength: 50N For 60s±5s
Durability: 750 Cycles Min.

Environmental Characteristics

Temperature Range—Operating: -40°C ~+85°C



Recommended P.C.Board Layout

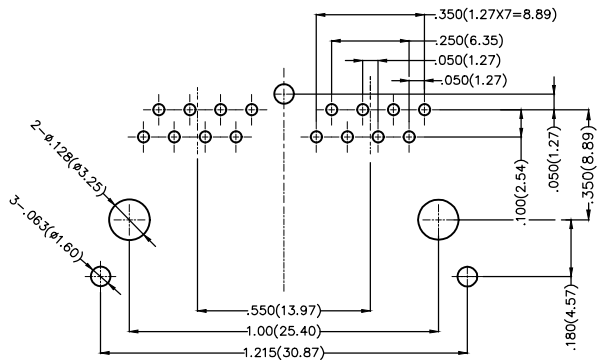
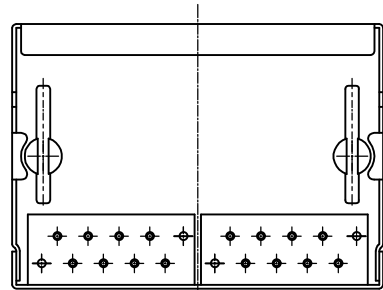
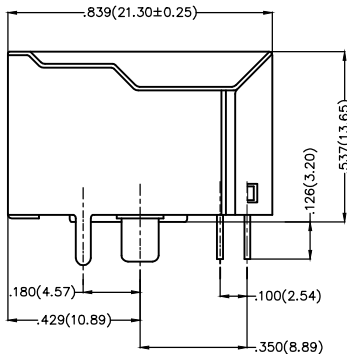
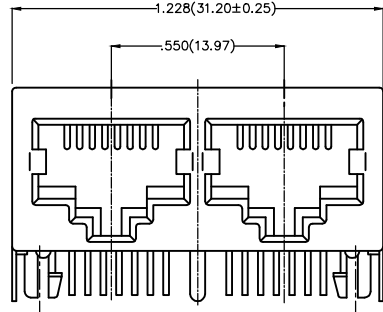
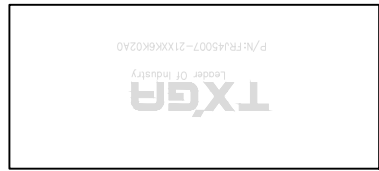
Ordering Information

FRJ45 007 — 1 1 XX K6 K 0 2 B 0
1 2 3 4 5 6 7 8 9

1 Category FRJ45—RJ45 Connector	2 Distinction No. 007	3 Ports options 1—1 Port	4 Plating 1—Gold Plated
5 Thickness of plating 00—Gold flash 03—3μ" Custom plate available	6 Color—Resin K6—Black	7 Packaging K—Tray	8 Contact type 2—Round pin
			9 distinction type B—B type

<p>THIRD ANGLE PROJECTION</p>	GENERAL TOLERANCES (UNLESS SPECIFIED)		APPROVE BY FRANK	DATE 1/AUG/13	PART NO. △ FRJ45007-11XXK6K02B0	ITEM NO. FRJ45007	<p>Leader Of Industry</p>	
	DESIGN UNITS Inch (metric)	X.±.012(0.30) X.X±.008(0.20)	X.±5° .X±2°	CHECKED BY CHERRY	DATE 1/AUG/13	TITLE RJ45 Connector 8P8C 90° Angle		REV 1
	SCALE 5:1	SIZE A4	X.XX±.006(0.15) X.XXX±.004(0.10)	.XX±1° .XXX±0.5°	DRAWN BY JACOB	DATE 1/AUG/13	THIS DRAWING CONTAINS INFORMATION THAT IS PROPRIETARY TO TXGA INDUSTRIAL ELECTRONICS(S.Z)CO.,LTD AND SHOULD NOT BE USED WITHOUT WRITTEN PERMISSION	

REV	LOCATIONS	DESCRIPTION	DATE	REVSER	APPD
1	△	1. Add the "TXGA" logo 2. Part No.: Change FRJ4507 into FRJ45007	01/JUN/18	Vandy	Eric



Recommended P.C.Board Layout

SPECIFICATIONS

Electrical Performances

Current Rating: 1.5A AC(rms)/DC
Voltage Rating: 125V AC(rms)/DC
Contact Resistance: 30 mΩ Max
Insulation Resistance: 500 MΩ MIN
Withstanding Voltage: 1000V AC r.m.s

Material and Plating

Housing: PBT (UL 94V-0)
Contact: Phosphor Bronze/ Gold Plated
Shell: Copper Alloy/ Nickel Plated

Mechanical Performances

Mating/Unmating Force: 30N Max
Retention Strength: 50N For 60s±5s
Durability: 750 Cycles Min.

Environmental Characteristics

Temperature Range-Operating: -40°C~+85°C

Ordering Information

FRJ45 007 - 2 1 XX K6 K 0 2 A 0
1 2 3 4 5 6 7 8 9

1 Category FRJ45-RJ45 Connector	2 Distinction No. 007	3 Ports options 2-2 Port	4 Plating 1-Gold Plated
5 Thickness of plating 00-Gold flash 03-3μ" Custom plate available	6 Color-Resin K6-Black	7 Packaging K-Tray	8 Contact type 2-Round pin
			9 distinction type A-A type

THIRD ANGLE PROJECTION	GENERAL TOLERANCES (UNLESS SPECIFIED)		APPROVE BY FRANK	DATE 15/JUN/16	PART NO. △ FRJ45007-21XXK6K02A0	ITEM NO. FRJ45007	 Leader Of Industry	
	DESIGN UNITS Inch (metric)	X.±.012(0.30) X.X±.008(0.20) X.XX±.006(0.15) X.XXX±.004(0.10)	X.±5" .X±2" .XX±1" .XXX±0.5"	CHECKED BY JACOB	DATE 15/JUN/16	TITLE RJ45 Connector 8P8C 90° Angle		REV 1
SCALE 5:1	SIZE A4		DRAWN BY CHERRY	DATE 15/JUN/16	THIS DRAWING CONTAINS INFORMATION THAT IS PROPRIETARY TO TXGA INDUSTRIAL ELECTRONICS(S.Z)CO.,LTD AND SHOULD NOT BE USED WITHOUT WRITTEN PERMISSION			

X-ON Electronics

Largest Supplier of Electrical and Electronic Components

Click to view similar products for [Modular Connectors](#) / [Ethernet Connectors](#) category:

Click to view products by [TXGA](#) manufacturer:

Other Similar products are found below :

[RJE231881317T](#) [MP1010RX-1000](#) [MP44RX-1000](#) [GAX-3-66](#) [GAX-8-62](#) [93606-0253](#) [GD-A-44](#) [GDCX-PA-66-50](#) [GDCX-PN-64](#) [GDCX-PN-66](#) [GDCX-PN-66-50](#) [GDLX-A-66](#) [GDLX-A-88](#) [GDLX-N-66](#) [GDLX-S-88K](#) [GDTX-S-88-50](#) [GDX-PA-1010](#) [GLX-N-1010M-BLK](#) [GLX-N-44M](#) [GLX-S-88M-BLK](#) [GMX-N-1010](#) [GMX-S-1010](#) [GMX-S-66](#) [GMX-SMT2-N-1010](#) [GMX-SMT2-N-64-50](#) [GMX-SMT2-S6-88](#) [GMX-SMT4-N-88](#) [GPX-2-64](#) [GRT1-BT1-5](#) [GSGX-N-2-88](#) [GSX-NS2-88-3.05](#) [GSX-NS2-88-3.05-50](#) [GSX-NS-88-3.05-30](#) [GSX-NS-88-3.05-50](#) [GSX-NS-88-3.68](#) [1-1775629-2](#) [GWLX-S-88-GR](#) [GWLX-S9-88-YG](#) [1300500326](#) [1300500227](#) [1300530003](#) [1300570002](#) [1324640-4](#) [RJ11FTVC2G](#) [RJ11FTVC2N](#) [RJFTVX2SA1G](#) [132764-001](#) [1400000](#) [1413176](#) [1413235](#)