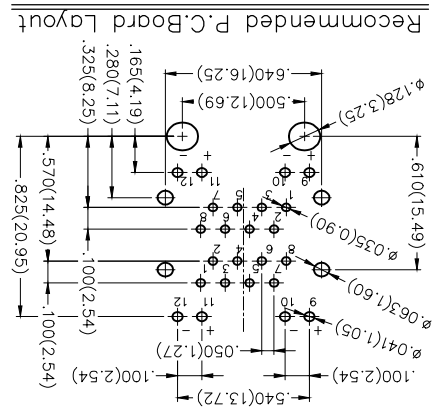
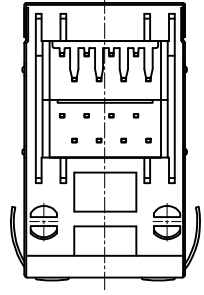
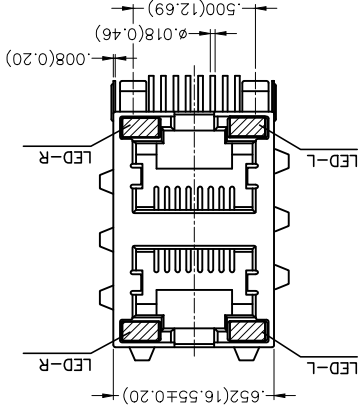
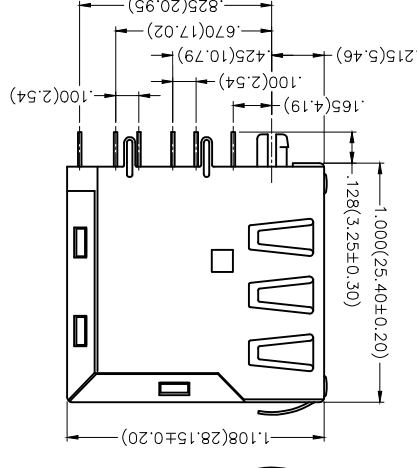
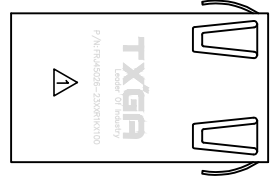
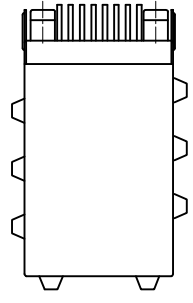
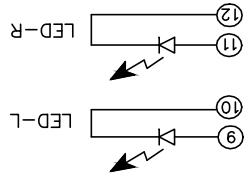


REV	LOCATIONS	DESCRIPTION	DATE	REVISER	APPD
1		2. Part No.: Change FRJ45134 into FRJ45026	31/MAY/18	KATE	ERIC

SPECIFICATIONS

Electrical
 Current Rating: 1.5A AC(rms)/DC
 Voltage Rating: 125V AC(rms)/DC
 Contact Resistance: 50 mΩ Max
 Insulation Resistance: 500 MΩ Min / DC 500V
 Withstanding Voltage: 1000V AC r.m.s
 Operating Temperature: -20°C~+75°C
 Durability: 750 cycles Min.

Material and plating
 Housing: Glass filled polyester (UL 94V-0), Black
 Contact: Phosphor bronze/ Selective gold in
 contact area, tin on tail
 Shell: Copper alloy/ Nickel plated



1	Category	FRJ45-RJ45 Connector
2	Distinction No.	026
3	Ports options	2-2 Ports
4	Plating	3-Selective gold in contact area, tin on tail
5	Thickness of plating	00-Gold flash 03-3μ"
6	Color-Resin	R1-Red K-Tray
7	Packaging	LED style
8	LED style	1-L: Yellow R: Green 2-L: Green R: Yellow
9	Contact type	1-Square pin

Ordering Information
 FRJ45 026 - 2 3 XX R1 K X 1 0 0

GENERAL TOLERANCES (UNLESS SPECIFIED)	APPROVE BY	DATE	PART NO.	ITEM NO.
	FRANK	18/JAN/17	FRJ45026-23XXR1KX100	FRJ45026
THIRD ANGLE PROJECTION	CHECKED BY	DATE	TITLE	
	CHERRY	18/JAN/17	RJ45 Connector 8P8C	
			90°Angle	
SCALE	DRAWN BY	DATE	THIS DRAWING CONTAINS INFORMATION THAT IS PROPRIETARY TO TXGA INDUSTRIAL ELECTRONICS(SZ)CO.,LTD AND SHOULD NOT BE USED WITHOUT WRITTEN PERMISSION	
5:1	KATE	18/JAN/17		
A4				
SIZE				
X.XX±.006(0.15)				
.XX±.1				
DESIGN UNITS				
Inch (metric)				
X.X±.008(0.20)				
.X±.2				
X±.012(0.30)				
X±.5				



1 2 3 4 5 6 7 8

A B C D E F

X-ON Electronics

Largest Supplier of Electrical and Electronic Components

Click to view similar products for [Modular Connectors](#) / [Ethernet Connectors](#) category:

Click to view products by [TXGA](#) manufacturer:

Other Similar products are found below :

[RJE231881317T](#) [MP1010RX-1000](#) [MP44RX-1000](#) [GAX-3-66](#) [GAX-8-62](#) [93606-0253](#) [GD-A-44](#) [GDCX-PA-66-50](#) [GDCX-PN-64](#) [GDCX-PN-66](#) [GDCX-PN-66-50](#) [GDLX-A-66](#) [GDLX-A-88](#) [GDLX-N-66](#) [GDLX-S-88K](#) [GDTX-S-88-50](#) [GDX-PA-1010](#) [GLX-N-1010M-BLK](#) [GLX-N-44M](#) [GLX-S-88M-BLK](#) [GMX-N-1010](#) [GMX-S-1010](#) [GMX-S-66](#) [GMX-SMT2-N-1010](#) [GMX-SMT2-N-64-50](#) [GMX-SMT2-S6-88](#) [GMX-SMT4-N-88](#) [GPX-2-64](#) [GRT1-BT1-5](#) [GSGX-N-2-88](#) [GSX-NS2-88-3.05](#) [GSX-NS2-88-3.05-50](#) [GSX-NS-88-3.05-30](#) [GSX-NS-88-3.05-50](#) [GSX-NS-88-3.68](#) [1-1775629-2](#) [GWLX-S-88-GR](#) [GWLX-S9-88-YG](#) [1300500326](#) [1300500227](#) [1300530003](#) [1300570002](#) [1324640-4](#) [RJ11FTVC2G](#) [RJ11FTVC2N](#) [RJFTVX2SA1G](#) [132764-001](#) [1400000](#) [1413176](#) [1413235](#)