

REV	LOCATIONS	DESCRIPTION	DATE	REVISER	APPD
1		1. Add the "TXGA" logo 2. Part No.: Change FRJ4528 into FRJ45028	31/MAY/18	Vandy	Eric

SPECIFICATIONS

Electrical Performances
 Current Rating: 1.5A AC(rms)/DC
 Voltage Rating: 125V AC(rms)/DC
 Contact Resistance: 50 mΩ Max
 Insulation Resistance: 500 MΩ MIN
 Withstanding Voltage: 1000V AC r.m.s
 Temperature Range—Operating: -40°C~+85°C
 Material and Plating
 Housing: PBT UL 94V-0
 Contact: Phosphor Bronze/Gold Plated
 Shell: Copper Alloy/Nickel Plated
Mechanical Performances
 Mating/Unmating Force: 30N Max
 Retention Strength: 50N For 60s±5s
 Durability: 750 Cycles Min.
 Environmental Characteristics
 Temperature Range—Operating: -40°C~+85°C

Ordering Information

FRJ45 028 - 1 1 XX K 0 2 0 0

1	Category	FRJ45-RJ45 Connector
2	Distinction No.	028
3	Ports options	1-1 Port
4	Plating	1-Gold Plated
5	Thickness of plating	00-Gold flash 03-3μ Custom plate available
6	Color-Resin	K6-Black
7	Packaging	K-Tray
8	Contact type	2-Round pin

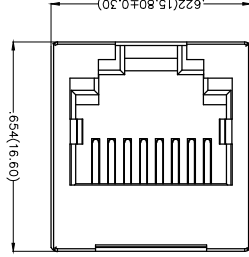
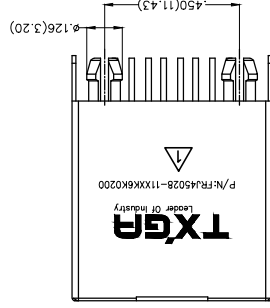
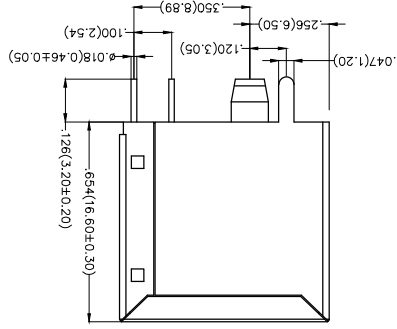
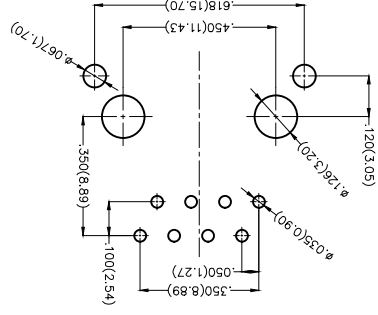
5	GENERAL TOLERANCES (UNLESS SPECIFIED)	APPROVE BY	DATE	PART NO.	ITEM NO.
	X.±.12(0.30)	FRANK	1/AUG/13	FRJ45028-11XXK6K0200	FRJ45028
	X.±.2	CHERRY	1/AUG/13		
	X.±.1	DRAWN BY	DATE	TITLE	
	X.XX±.004(0.10)	JACOB	1/AUG/13	RJ45 Connector 8P8C	
	X.XX±.006(0.15)			180° Vertical	
	X.XX±.008(0.20)			REV 1	
	X.XX±.012(0.30)			SHEET NO. 1/1	

THIRD ANGLE	DESIGN UNITS	SCALE	5:1
	Inch (metric)	SIZE	A4
GENERAL TOLERANCES (UNLESS SPECIFIED)	APPROVE BY	DATE	PART NO.
X.±.12(0.30)	FRANK	1/AUG/13	FRJ45028-11XXK6K0200
X.±.2	CHERRY	1/AUG/13	
X.±.1	DRAWN BY	DATE	TITLE
X.XX±.004(0.10)	JACOB	1/AUG/13	RJ45 Connector 8P8C
X.XX±.006(0.15)			180° Vertical
X.XX±.008(0.20)			REV 1
X.XX±.012(0.30)			SHEET NO. 1/1

THIS DRAWING CONTAINS INFORMATION THAT IS PROPRIETARY TO TXGA INDUSTRIAL ELECTRONICS(SZ)CO.,LTD AND SHOULD NOT BE USED WITHOUT WRITTEN PERMISSION



Recommended P.C.Board Layout



REV	LOCATIONS	1	△	1. Add the "TXGA" logo 2. Part No.: Change FRJ4528 into FRJ45028
RPPD	REVERSE	DATE	31/MAY/18	Vandy
				Eric

SPECIFICATIONS

Electrical Performances
 Current Rating: 1.5A AC(rms)/DC
 Voltage Rating: 125V AC(rms)/DC
 Contact Resistance: 30 mΩ Max
 Insulation Resistance: 500 MΩ MIN
 Withstanding Voltage: 1000V AC r.m.s
 Temperature Range—Operating: -40°C~+85°C
 Housing: PBT UL 94V-0
 Contact: Phosphor Bronze/Gold Plated
 Shell: Copper Alloy/Nickel Plated
Mechanical Performances
 Mating/Unmating Force: 30N Max
 Retention Strength: 50N For 60s±5s
 Durability: 750 Cycles Min.
 Environmental Characteristics
 Temperature Range—Operating: -40°C~+85°C

Ordering Information

FRJ45 028 - 1 1 XX K6 K 0 2 A 0
 1 2 3 4 5 6 7 8 9

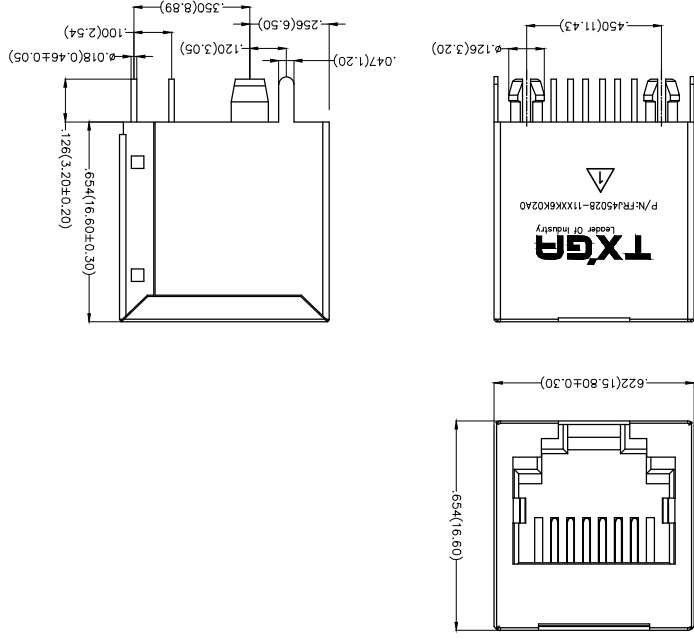
1	Category	FRJ45-RJ45 Connector
2	Distinction No.	028
3	Ports options	1-1 Port
4	Plating	1-Gold Plated
8	Contact type	2-Round pin
9	distinction type	A-A type

5	Thickness of plating	00-Gold flash 03-3μ Custom plate available
6	Color-Resin	K6-Black
7	Packaging	K-Tray
8	Contact type	2-Round pin
9	distinction type	A-A type

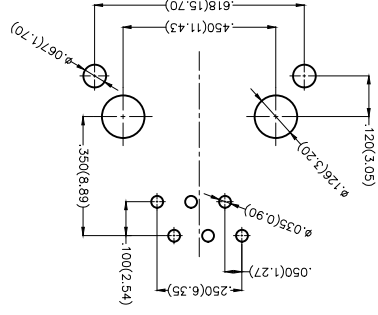
DATE	1/AUG/13	APPROVE BY	FRANK	GENERAL TOLERANCES (UNLESS SPECIFIED)
DATE	1/AUG/13	CHECKED BY	CHERRY	X.±.012(0.30)
DATE	1/AUG/13	DRAWN BY	JACOB	X.XX±.006(0.15)
DATE	1/AUG/13			X.XX±.004(0.10)

THIRD ANGLE PROJECTION	DESIGN UNITS Inch (metric)	SCALE SIZE 5:1 A4
ITEM NO.	FRJ45028	
PART NO.	FRJ45028-11XXKK02A0	
TITLE	RJ45 Connector 6P6C	
REV 1	SHEET NO. 1/1	

THIS DRAWING CONTAINS INFORMATION THAT IS PROPRIETARY TO TXGA INDUSTRIAL ELECTRONICS(SZ)CO.,LTD AND SHOULD NOT BE USED WITHOUT WRITTEN PERMISSION



Recommended P.C.Board Layout



X-ON Electronics

Largest Supplier of Electrical and Electronic Components

Click to view similar products for [Modular Connectors](#) / [Ethernet Connectors](#) category:

Click to view products by [TXGA](#) manufacturer:

Other Similar products are found below :

[RJE231881317T](#) [MP1010RX-1000](#) [MP44RX-1000](#) [GAX-3-66](#) [GAX-8-62](#) [93606-0253](#) [GD-A-44](#) [GDCX-PA-66-50](#) [GDCX-PN-64](#) [GDCX-PN-66](#) [GDCX-PN-66-50](#) [GDLX-A-66](#) [GDLX-A-88](#) [GDLX-N-66](#) [GDLX-S-88K](#) [GDTX-S-88-50](#) [GDX-PA-1010](#) [GLX-N-1010M-BLK](#) [GLX-N-44M](#) [GLX-S-88M-BLK](#) [GMX-N-1010](#) [GMX-S-1010](#) [GMX-S-66](#) [GMX-SMT2-N-1010](#) [GMX-SMT2-N-64-50](#) [GMX-SMT2-S6-88](#) [GMX-SMT4-N-88](#) [GPX-2-64](#) [GRT1-BT1-5](#) [GSGX-N-2-88](#) [GSX-NS2-88-3.05](#) [GSX-NS2-88-3.05-50](#) [GSX-NS-88-3.05-30](#) [GSX-NS-88-3.05-50](#) [GSX-NS-88-3.68](#) [1-1775629-2](#) [GWLX-S-88-GR](#) [GWLX-S9-88-YG](#) [1300500326](#) [1300500227](#) [1300530003](#) [1300570002](#) [1324640-4](#) [RJ11FTVC2G](#) [RJ11FTVC2N](#) [RJFTVX2SA1G](#) [132764-001](#) [1400000](#) [1413176](#) [1413235](#)