

REV	LOCATIONS	DESCRIPTION	DATE	REVISOR	APPD
1	△	Part No.: Change FRJ45122 into FRJ45033	31/MAY/18	KATE	ERIC
2	△	Size Change	03/AUG/20	CHERRY	KATE

**SPECIFICATIONS**

**Electrical**

Current Rating: 1.5A AC(rms)/DC  
Voltage Rating: 125V AC(rms)/DC  
Contact Resistance: 30 mΩ Max  
Insulation Resistance: 500 MΩ Min / DC 500V  
Withstanding Voltage: 1000V AC r.m.s  
Operating Temperature: -40°C~+85°C

**Material and Plating**

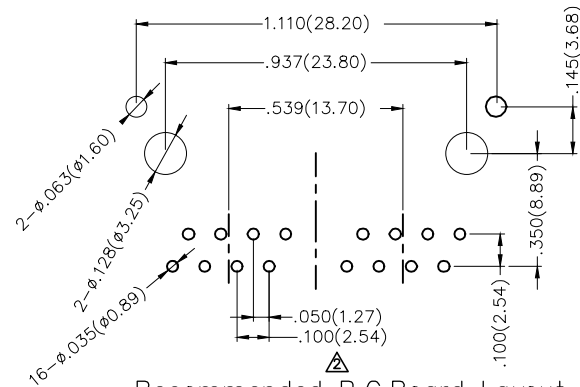
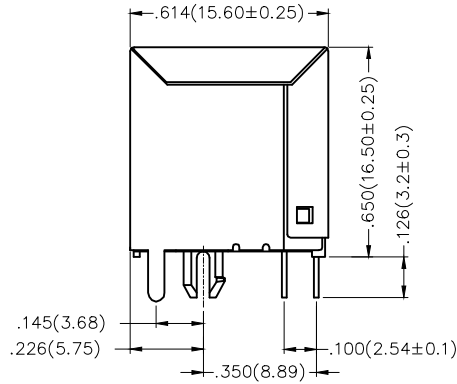
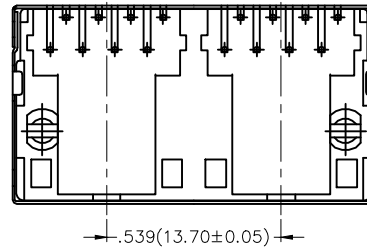
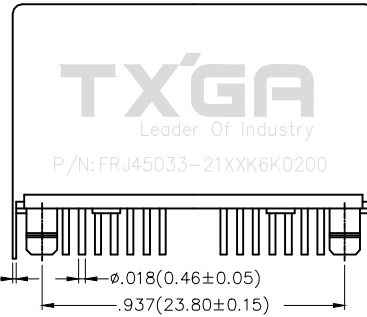
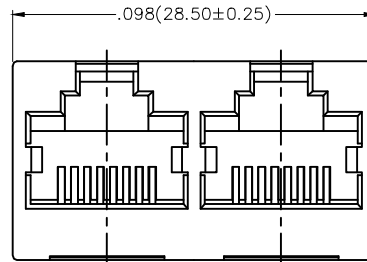
Housing: PBT (UL 94V-0), Black  
Contact: Phosphor Bronze/ Gold Plated  
Shell: Brass/ Nickel Plated

**Ordering Information**

FRJ45 033 — 2 1 XX K6 K 0 2 0 0  
1 2 3 4 5 6 7 8

1	Category FRJ45-RJ45 Connector	2	Distinction No. 033	3	Ports options 2-2 Ports	4	Plating 1-Gold Plated	5	Thickness of plating 00-Gold flash 03-3μ" Custom plate available
6	Color-Resin K6-Black	7	Packaging K-Tray	8	Contact type 2-Round pin				

<p>THIRD ANGLE PROJECTION</p>	GENERAL TOLERANCES (UNLESS SPECIFIED)		APPROVE BY FRANK	DATE 18/JUN/13	PART NO. △ FRJ45033-21XXK6K0200	ITEM NO. FRJ45033	<p>Leader Of Industry</p>	
	DESIGN UNITS Inch (metric)	X.±.012(0.30) X.X±.008(0.20)	X'±5" .X'±2"	CHECKED BY KEVIN	DATE 18/JUN/13	TITLE RJ45 Connector 8P8C 180° Vertical		REV 2
SCALE 5:1	SIZE A4	X.XX±.006(0.15) X.XXX±.004(0.10)	.XX'±1" .XXX'±0.5"	DRAWN BY CHERRY	DATE 18/JUN/13	THIS DRAWING CONTAINS INFORMATION THAT IS PROPRIETARY TO TXGA INDUSTRIAL ELECTRONICS(S.Z)CO.,LTD AND SHOULD NOT BE USED WITHOUT WRITTEN PERMISSION		



**Recommended P.C.Board Layout**  
Tolerances: ±.002(±0.05)

## X-ON Electronics

Largest Supplier of Electrical and Electronic Components

*Click to view similar products for [Modular Connectors](#) / [Ethernet Connectors](#) category:*

*Click to view products by [TXGA](#) manufacturer:*

Other Similar products are found below :

[8949-H88/06BLKA/SN](#) [74441-0010/BKN](#) [PHP-6P6C-5](#) [GAX-3-66](#) [GDCX-PN-66](#) [GLX-A-44](#) [GLX-N-1010M-BLK](#) [GLX-S-88M-BLK](#)  
[GMX-SMT4-N-88](#) [GSGX-N-2-88](#) [GSGX-N-4-88](#) [GSX-NS2-88-3.05](#) [GSX-NS-88-3.68](#) [PT-108A-8C-UL](#) [PTS-J531-8CS-50UL](#) [A-2014-0-4](#)  
[GWLX-S9-88-YG](#) [DC-1021-8-WH-6](#) [1300530003](#) [1324640-4](#) [132764-001](#) [1413235](#) [MPS88RX-5000](#) [E5288-S000K3-L](#) [155302-001](#)  
[AX101050](#) [AX101063](#) [AX101065](#) [AX101072](#) [AX101307](#) [AX101315](#) [AX101318](#) [AX102271](#) [AX102277](#) [AX102651](#) [AX102660](#) [AX104024](#)  
[203475](#) [PC4D0018P](#) [KIT38082NI](#) [8949-B88/6](#) [2-6609208-5](#) [30-8956](#) [30-8964-100](#) [SM85](#) [SM99S01VBNN04G7](#) [17-103540](#) [191587](#) [PDI-68-RV](#) [PHP-8P8C-S-5](#)