

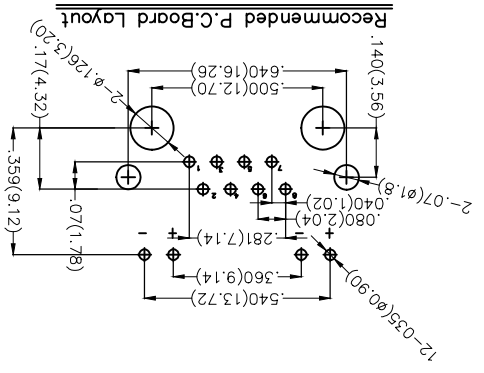
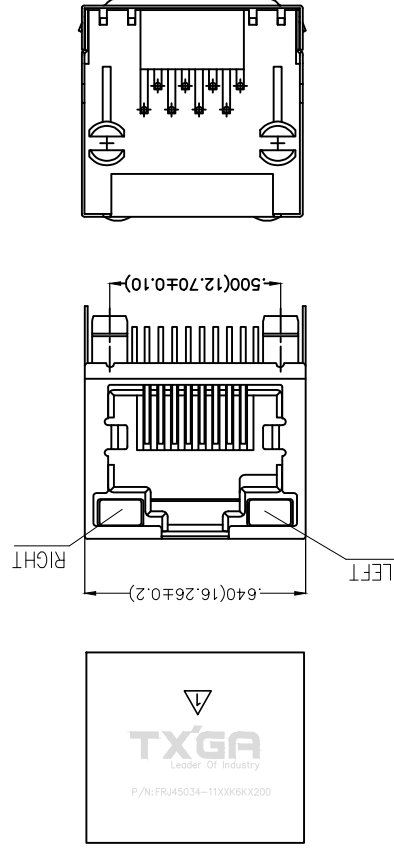
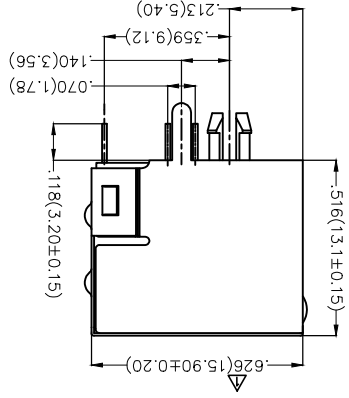
REV	LOCATIONS	DESCRIPTION	DATE	REVISER	APPD
1		1. Dimension: Change 15.70 into 15.90mm 2. Add the "TXGA" logo 3. Part No.: Change FRJ4534 into FRJ45034	01/JUN/18	Vandy	Eric

SPECIFICATIONS

Electrical Performances
 Current Rating: 1.5A AC(rms)/DC
 Voltage Rating: 125V AC(rms)/DC
 Contact Resistance: 30 mΩ Max
 Insulation Resistance: 500 MΩ MIN
 Withstanding Voltage: 1000V AC r.m.s

Material and Plating
 Housing: PBT (UL 94V-0)
 Contact: Phosphor Bronze/ Gold Plated
 Shell: Copper Alloy/ Nickel Plated

Mechanical Performances
 Mating/Unmating Force: 30N Max
 Retention Strength: 50N For 60±5s
 Durability: 750 Cycles Min.
 Environmental Characteristics
 Temperature Range—Operating: -40°C~+85°C



Ordering Information

FRJ45 034 - 1 1 XX K6 K X 2 0 0

1	Category	FRJ45-RJ45 Connector
2	Distinction No.	034
3	Ports options	1-1 Port
4	Plating	1-Gold Plated
5	Thickness of plating	00-Gold flash 03-3μ"
6	Color-Resin	K6-Black
7	Packaging	K-Tray
8	LED style	1-L: Yellow R: Green 2-L: Green R: Yellow
9	Contact type	2-Round pin

THIRD ANGLE PROJECTION	DESIGN UNITS	Inch (metric)	X.XX±.008(0.20)	X.XX±.1	DATE	1/AUG/13	CHERRY	CHECKED BY	FRANK	DATE	1/AUG/13	FRJ45034-11XXK6KX200	FRJ45034	ITEM NO.
	SCALE	5:1	A4	X.XX±.006(0.15)	.XXX±0.5	DRAWN BY	JACOB	DATE	1/AUG/13	THIS DRAWING CONTAINS INFORMATION THAT IS PROPRIETARY TO TXGA INDUSTRIAL ELECTRONICS(SZ)CO.,LTD AND SHOULD NOT BE USED WITHOUT WRITTEN PERMISSION				



REV 1 SHEET NO. 1/1

8 7 6 5 4 3 2 1

F E D C B A

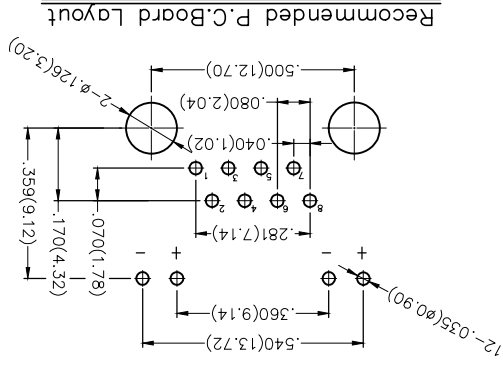
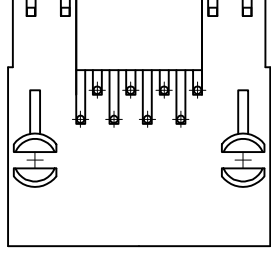
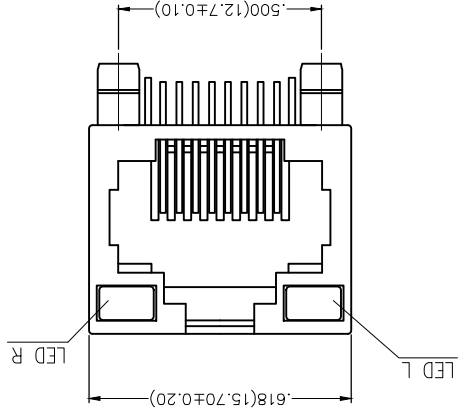
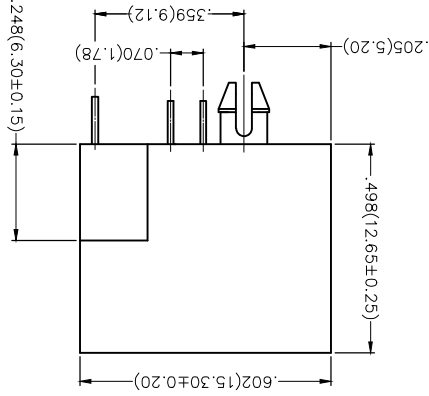
REV	LOCATIONS	DESCRIPTION	DATE	REVER	APPD
1		Part No.: Change FRJ4534 into FRJ45034	31/MAY/18	Vandy	Eric

SPECIFICATIONS

Electrical Performances
 Current Rating: 1.5A AC(rms)/DC
 Voltage Rating: 125V AC(rms)/DC
 Contact Resistance: 30 mΩ Max
 Insulation Resistance: 500 MΩ MIN
 Withstanding Voltage: 1000V AC r.m.s

Material and Plating
 Housing: PBT (UL 94V-0)
 Contact: Phosphor Bronze/ Gold Plated

Mechanical Performances
 Mating/Unmating Force: 30N Max
 Retention Strength: 50N For 60±5s
 Durability: 750 Cycles Min.
 Environmental Characteristics
 Temperature Range—Operating: -40°C~+85°C



Ordering Information

FRJ45 034 - 1 1 XX K6 7 8 9 10
 A 2

1	Category	FRJ45-RJ45 Connector
2	Distinction No.	034
3	Ports options	1-1 Port
4	Plating	1-Gold Plated
5	Thickness of plating	00-Gold flash 03-3μ"
6	Color-Resin	K6-Black
7	Packaging	K-Tray
8	LED style	1-L: Yellow R: Green 2-L: Green R: Yellow
9	Contact type	2-Round pin
10	distinction type	A-A type

THIRD ANGLE PROJECTION	DESIGN UNITS Inch (metric)	SCALE 5:1 A4
X.±0.12(0.30)	X.±2.008(0.20)	X.XXX±.004(0.10)
X.±2.008(0.20)	X.±2.008(0.20)	X.XXX±.004(0.10)

GENERAL TOLERANCES (UNLESS SPECIFIED)	DATE 1/AUG/13	APPROVE BY FRANK
X.±2.008(0.20)	DATE 1/AUG/13	CHECKED BY CHERRY
X.XXX±.004(0.10)	DATE 1/AUG/13	DRAWN BY JACOB

ITEM NO.	FRJ45034	FRJ45034-11XXK6KX2A0
PART NO.	FRJ45034	FRJ45034
TITLE	RJ45 8P8C DIP 90° CONN	REV 1
SHEET NO.	1/1	THIS DRAWING CONTAINS INFORMATION THAT IS PROPRIETARY TO TXGA INDUSTRIAL ELECTRONICS(SZ)CO.,LTD AND SHOULD NOT BE USED WITHOUT WRITTEN PERMISSION

TXGA
 Leader Of Industry

X-ON Electronics

Largest Supplier of Electrical and Electronic Components

Click to view similar products for [Modular Connectors](#) / [Ethernet Connectors](#) category:

Click to view products by [TXGA](#) manufacturer:

Other Similar products are found below :

[RJE231881317T](#) [MP1010RX-1000](#) [MP44RX-1000](#) [GAX-3-66](#) [GAX-8-62](#) [93606-0253](#) [GD-A-44](#) [GDCX-PA-66-50](#) [GDCX-PN-64](#) [GDCX-PN-66](#) [GDCX-PN-66-50](#) [GDLX-A-66](#) [GDLX-A-88](#) [GDLX-N-66](#) [GDLX-S-88K](#) [GDTX-S-88-50](#) [GDX-PA-1010](#) [GLX-N-1010M-BLK](#) [GLX-N-44M](#) [GLX-S-88M-BLK](#) [GMX-N-1010](#) [GMX-S-1010](#) [GMX-S-66](#) [GMX-SMT2-N-1010](#) [GMX-SMT2-N-64-50](#) [GMX-SMT2-S6-88](#) [GMX-SMT4-N-88](#) [GPX-2-64](#) [GRT1-BT1-5](#) [GSGX-N-2-88](#) [GSX-NS2-88-3.05](#) [GSX-NS2-88-3.05-50](#) [GSX-NS-88-3.05-30](#) [GSX-NS-88-3.05-50](#) [GSX-NS-88-3.68](#) [1-1775629-2](#) [GWLX-S-88-GR](#) [GWLX-S9-88-YG](#) [1300500326](#) [1300500227](#) [1300530003](#) [1300570002](#) [1324640-4](#) [RJ11FTVC2G](#) [RJ11FTVC2N](#) [RJFTVX2SA1G](#) [132764-001](#) [1400000](#) [1413176](#) [1413235](#)