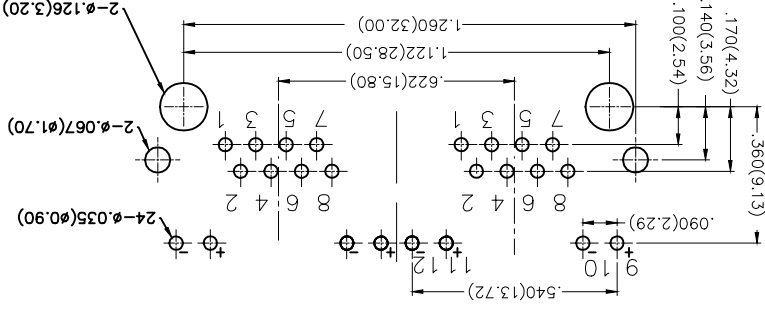
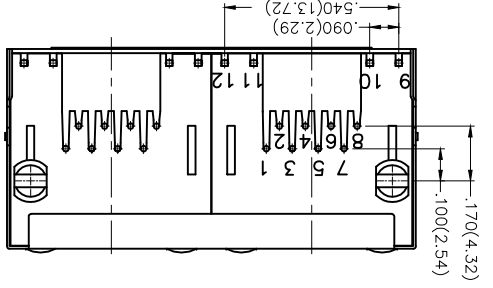
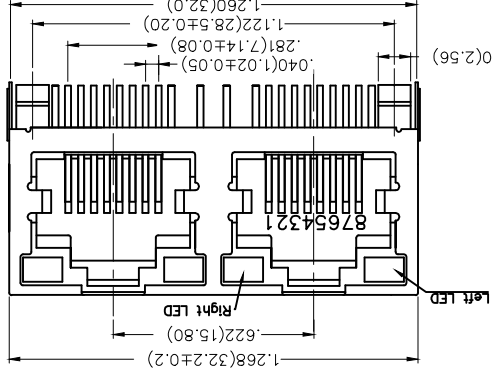
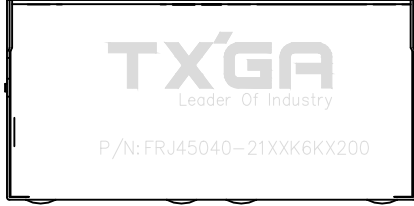
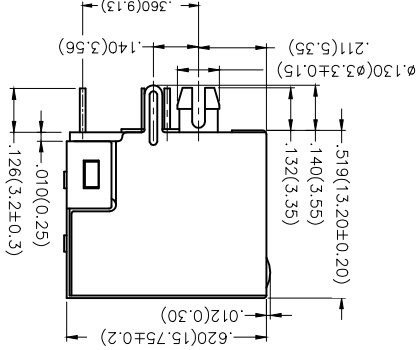
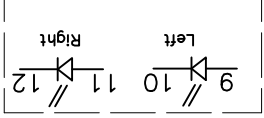


| REV | LOCATIONS | DESCRIPTION | DATE | REWSEER | APPD |
|-----|-----------|---|-----------|---------|------|
| 1 | | Part No.: Change FRJ45116 into FRJ45040 | 31/MAY/18 | KATE | ERIC |

SPECIFICATIONS

Electrical
 Current Rating: 1.5A AC(rms)/DC
 Voltage Rating: 150V AC(rms)/DC
 Contact Resistance: 30 mΩ Max
 Insulation Resistance: 500 MΩ Min / DC 500V
 Withstanding Voltage: 1000V AC r.m.s
 Operating Temperature: -40°C~+80°C
 Material and Plating
 Housing: PA46, 94V-0, Black
 Contact: Phosphor Bronze/Gold Plated
 Shell: Copper Alloy/Nickel Plated



Ordering Information

FRJ45 040 - 2 1 XX K6 K X 2 0 0

| | | | | | |
|---|----------------------|-------------------------|---|-----------------|---------------|
| 1 | Category | FRJ45-RJ45 Connector | 2 | Distinction No. | 040 |
| 3 | Ports options | 2-2 Ports | 4 | Plating | 1-Gold Plated |
| 5 | Thickness of plating | 00-Gold flash 03-3μ" | 9 | Contact type | 2-Round pin |

| | | | | | |
|---|-------------|--|---|-----------|--------|
| 6 | Color-Resin | K-Black | 7 | Packaging | K-Tray |
| 8 | LED style | 1-L: Yellow R: Green 2-L: Green R: Yellow | 8 | LED style | |



| | | | |
|----------|----------------------|----------|---------------|
| PART NO. | FRJ45040-21XXK6KX200 | ITEM NO. | FRJ45040 |
| TITLE | RJ45 Connectors 8P8C | REV 1 | SHEET NO. 1/1 |

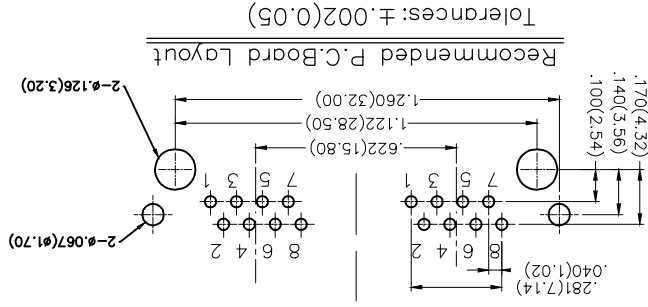
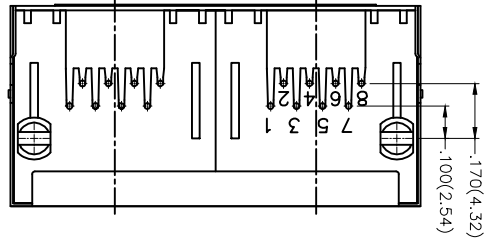
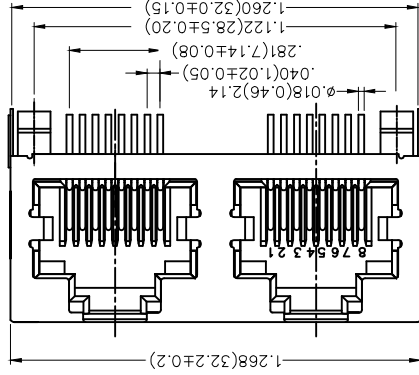
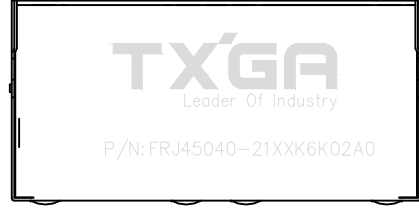
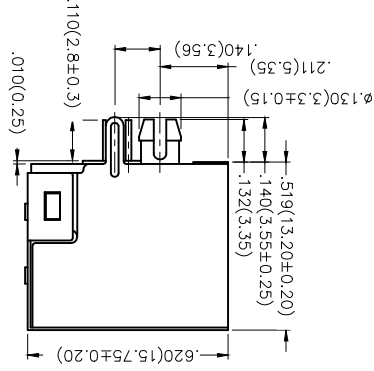
| | | | | | |
|------------|--------|------|-----------|--------------------|--------------------|
| APPROVE BY | FRANK | DATE | 18/JUN/13 | GENERAL TOLERANCES | (UNLESS SPECIFIED) |
| CHECKED BY | KEVIN | DATE | 18/JUN/13 | THIRD ANGLE | PROJECTION |
| DRAWN BY | CHERRY | DATE | 18/JUN/13 | DESIGN UNITS | Inch (metric) |
| SCALE | 5:1 | SIZE | A4 | X.XX±.004(0.10) | X.XX±.01 |

THIS DRAWING CONTAINS INFORMATION THAT IS PROPRIETARY TO TXGA INDUSTRIAL ELECTRONICS(SZ)CO.,LTD AND SHOULD NOT BE USED WITHOUT WRITTEN PERMISSION

| REV | LOCATIONS | DESCRIPTION | DATE | REVERSER | APPD |
|-----|-----------|--|-----------|----------|------|
| 1 | △ | 1. Add the "TXGA" logo 2. Part No.: Change FRJ45116 into FRJ45040 | 31/MAY/18 | KATE | ERIC |

SPECIFICATIONS

Electrical
 Current Rating: 1.5A AC(rms)/DC
 Voltage Rating: 150V AC(rms)/DC
 Contact Resistance: 30 mΩ Max
 Insulation Resistance: 500 MΩ Min / DC 500V
 Withstanding Voltage: 1000V AC r.m.s
 Operating Temperature: -40°C~+80°C
 Material and Plating
 Housing: PA46, 94V-0, Black
 Contact: Phosphor Bronze/Gold Plated
 Shell: Copper Alloy/Nickel Plated



Tolerances: ±.002(0.05)

Recommended P.C. Board Layout

| | | |
|----|----------------------|-------------------------|
| 1 | Category | FRJ45-RJ45 Connector |
| 2 | Distinction No. | 040 |
| 3 | Ports options | 2-2 Ports |
| 4 | Plating | 1-Gold Plated |
| 5 | Thickness of plating | 00-Gold flash 03-3μ" |
| 6 | Color-Resin | K6-Black |
| 7 | Packaging | K-Tray |
| 9 | Contact type | 2-Round pin |
| 10 | distinction type | A-Without LED |

Ordering Information
 FRJ45 040 - 2 1 XX K6 K 0 2 A 0

| THIRD ANGLE PROJECTION | DESIGN UNITS | SCALE | GENERAL TOLERANCES (UNLESS SPECIFIED) | APPROVE BY | DATE | PART NO. | ITEM NO. |
|------------------------|---------------|--------|---------------------------------------|------------|-----------|--|----------|
| ⊙ | INCH (metric) | 5:1 A4 | X.XX±.004(0.10) | FRANK | 18/JUN/13 | FRJ45040-21XXK6K02A0 | FRJ45040 |
| ⊙ | INCH (metric) | 5:1 A4 | X.XX±.006(0.15) | KEVIN | 18/JUN/13 | RJ45 Connectors 8P8C | |
| ⊙ | INCH (metric) | 5:1 A4 | X.XX±.008(0.20) | CHERRY | 18/JUN/13 | THIS DRAWING CONTAINS INFORMATION THAT IS PROPRIETARY TO TXGA INDUSTRIAL ELECTRONICS(Z)CO.,LTD AND SHOULD NOT BE USED WITHOUT WRITTEN PERMISSION | |



8

7

6

5

4

3

2

1

F

F

E

E

D

D

C

C

B

B

A

A

X-ON Electronics

Largest Supplier of Electrical and Electronic Components

Click to view similar products for [Modular Connectors](#) / [Ethernet Connectors](#) category:

Click to view products by [TXGA](#) manufacturer:

Other Similar products are found below :

[RJE231881317T](#) [MP1010RX-1000](#) [MP44RX-1000](#) [GAX-3-66](#) [GAX-8-62](#) [93606-0253](#) [GD-A-44](#) [GDCX-PA-66-50](#) [GDCX-PN-64](#) [GDCX-PN-66](#) [GDCX-PN-66-50](#) [GDLX-A-66](#) [GDLX-A-88](#) [GDLX-N-66](#) [GDLX-S-88K](#) [GDTX-S-88-50](#) [GDX-PA-1010](#) [GLX-N-1010M-BLK](#) [GLX-N-44M](#) [GLX-S-88M-BLK](#) [GMX-N-1010](#) [GMX-S-1010](#) [GMX-S-66](#) [GMX-SMT2-N-1010](#) [GMX-SMT2-N-64-50](#) [GMX-SMT2-S6-88](#) [GMX-SMT4-N-88](#) [GPX-2-64](#) [GRT1-BT1-5](#) [GSGX-N-2-88](#) [GSX-NS2-88-3.05](#) [GSX-NS2-88-3.05-50](#) [GSX-NS-88-3.05-30](#) [GSX-NS-88-3.05-50](#) [GSX-NS-88-3.68](#) [1-1775629-2](#) [GWLX-S-88-GR](#) [GWLX-S9-88-YG](#) [1300500326](#) [1300500227](#) [1300530003](#) [1300570002](#) [1324640-4](#) [RJ11FTVC2G](#) [RJ11FTVC2N](#) [RJFTVX2SA1G](#) [132764-001](#) [1400000](#) [1413176](#) [1413235](#)