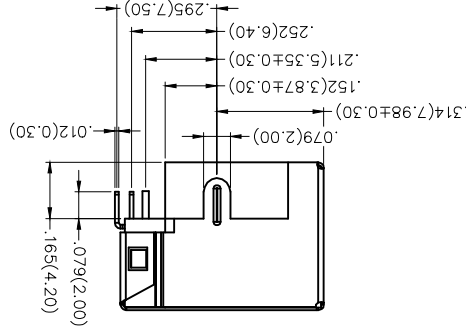
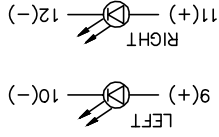


REV	LOCATIONS	DESCRIPTION	DATE	REWSEER	APPD
1		Part No.: Change FRJ45113 into FRJ45041	31/MAY/18	KATE	ERIC

SPECIFICATIONS

Electrical
 Current Rating: 1.5A AC(rms)/DC
 Voltage Rating: 125V AC(rms)/DC
 Contact Resistance: 40 mΩ Max
 Insulation Resistance: 500 MΩ Min / DC 500V
 Withstanding Voltage: 1000V AC r.m.s
 Operating Temperature: -20°C~+75°C

Material and Plating
 Housing: LCP (UL 94V-0), Black
 Contact: Phosphor Bronze/Gold Plated/Selective gold
 in contact area, tin on tail
 Shell: Brass/Nickel Plated



Ordering Information

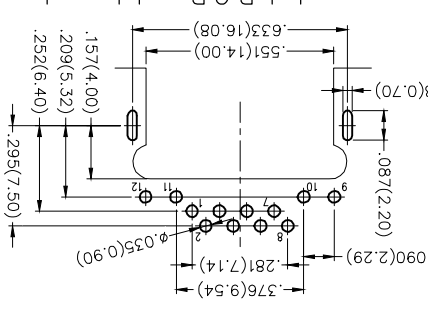
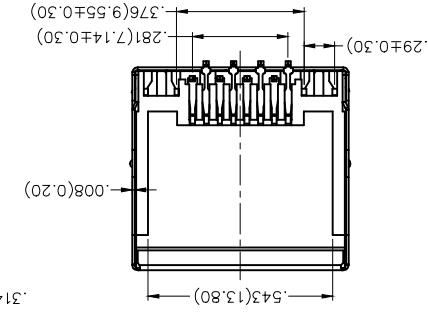
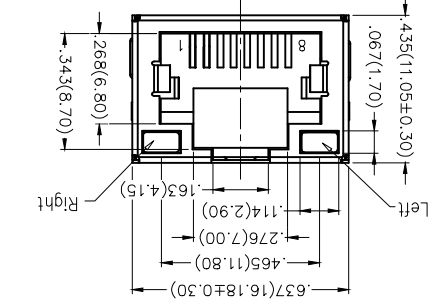
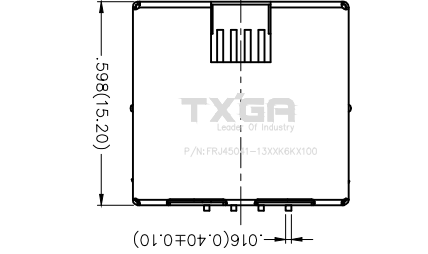
FRJ45 041 - 1 3 XX K6 K X 1 0 0

1	Category	FRJ45-RJ45 Connector
2	Distinction No.	041
3	Ports options	1-1 Port
4	Plating	3-Selective gold in contact area, 02-2" tin on tail
5	Thickness of plating	00-Gold flash
6	Color-Resin	K6-Black
7	Packaging	K-Troy
8	LED style	1-L: Yellow R: Green 2-L: Green R: Yellow
9	Contact type	1-Square pin

ITEM NO.	FRJ45041
TITLE	RJ45 Connectors 8P8C
DATE	18/JUN/13
CHECKED BY	FRANK
APPROVE BY	FRANK
DATE	18/JUN/13
DRAWN BY	CHEERRY
DATE	18/JUN/13
DRAWN BY	KATE
DATE	18/JUN/13



THIRD ANGLE PROJECTION	X.X±.012(0.30)	X.X±.1	18/JUN/13	FRJ45041-13XXK6KX100	90°Angle
DESIGN UNITS	X.X±.008(0.20)	X.X±.2	18/JUN/13	FRJ45041	REV 1
SCALE	X.XX±.004(0.10)	X.XX±.1	18/JUN/13	FRJ45041	SHEET NO. 1/1
5:1	X.XX±.004(0.10)	X.XX±.05	18/JUN/13	FRJ45041	THIS DRAWING CONTAINS INFORMATION THAT IS PROPRIETARY TO TXGA INDUSTRIAL ELECTRONICS(SZ)CO.,LTD AND SHOULD NOT BE USED WITHOUT WRITTEN PERMISSION



X-ON Electronics

Largest Supplier of Electrical and Electronic Components

Click to view similar products for [Modular Connectors](#) / [Ethernet Connectors](#) category:

Click to view products by [TXGA](#) manufacturer:

Other Similar products are found below :

[RJE231881317T](#) [MP1010RX-1000](#) [MP44RX-1000](#) [GAX-3-66](#) [GAX-8-62](#) [93606-0253](#) [GD-A-44](#) [GDCX-PA-66-50](#) [GDCX-PN-64](#) [GDCX-PN-66](#) [GDCX-PN-66-50](#) [GDLX-A-66](#) [GDLX-A-88](#) [GDLX-N-66](#) [GDLX-S-88K](#) [GDTX-S-88-50](#) [GDX-PA-1010](#) [GLX-N-1010M-BLK](#) [GLX-N-44M](#) [GLX-S-88M-BLK](#) [GMX-N-1010](#) [GMX-S-1010](#) [GMX-S-66](#) [GMX-SMT2-N-1010](#) [GMX-SMT2-N-64-50](#) [GMX-SMT2-S6-88](#) [GMX-SMT4-N-88](#) [GPX-2-64](#) [GRT1-BT1-5](#) [GSGX-N-2-88](#) [GSX-NS2-88-3.05](#) [GSX-NS2-88-3.05-50](#) [GSX-NS-88-3.05-30](#) [GSX-NS-88-3.05-50](#) [GSX-NS-88-3.68](#) [1-1775629-2](#) [GWLX-S-88-GR](#) [GWLX-S9-88-YG](#) [1300500326](#) [1300500227](#) [1300530003](#) [1300570002](#) [1324640-4](#) [RJ11FTVC2G](#) [RJ11FTVC2N](#) [RJFTVX2SA1G](#) [132764-001](#) [1400000](#) [1413176](#) [1413235](#)