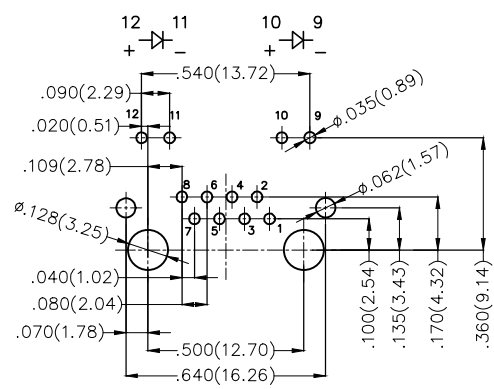
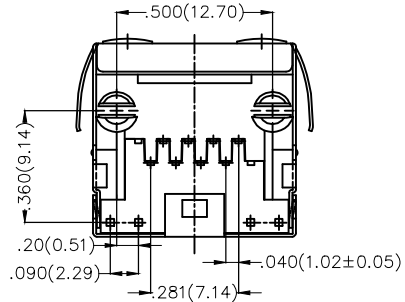
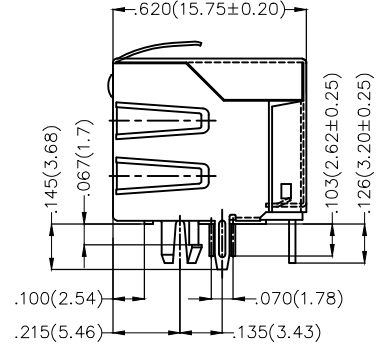
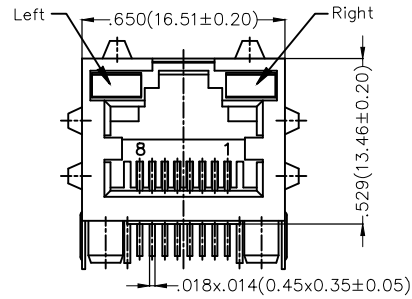
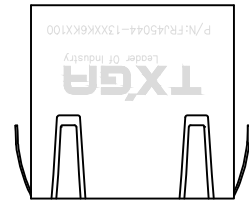


REV	LOCATIONS	DESCRIPTION	DATE	REVISER	APPD
1	△	Part No.: Change FRJ45107 into FRJ45044	31/MAY/18	KATE	ERIC



Recommended P.C.Board Layout

SPECIFICATIONS


Electrical Performances
 Current Rating: 1.5A AC(rms)/DC
 Voltage Rating: 125V AC(rms)/DC
 Contact Resistance: 30 mΩ Max
 Insulation Resistance: 500 MΩ MIN
 Withstanding Voltage: 1000V AC r.m.s
 Temperature Range—Operating: -40°C ~ +85°C

Material and Plating
 Housing: Thermoplastic UL94V-0,
 Contact: Phosphor Bronze
 Contact Plating: Selective gold in contact area,
 tin on tail
 Shell: Copper Alloy/Nickel Plated

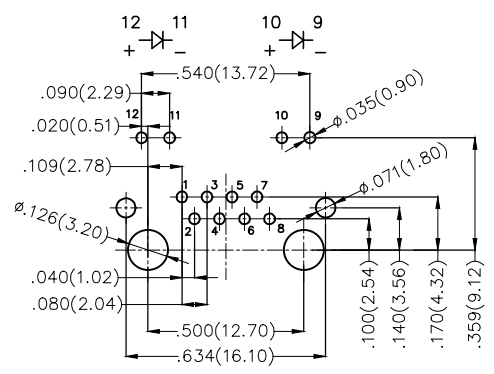
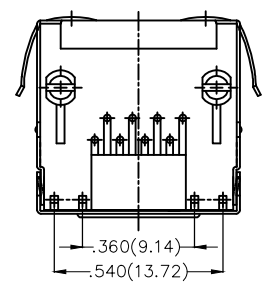
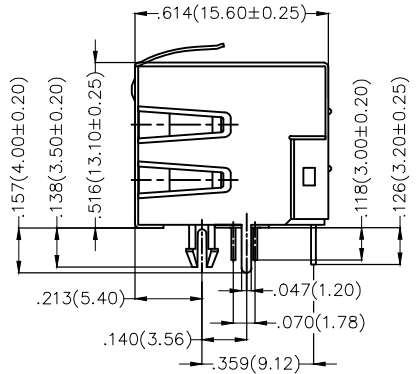
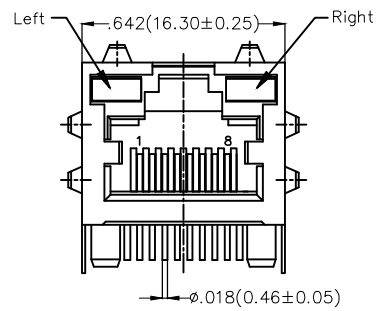
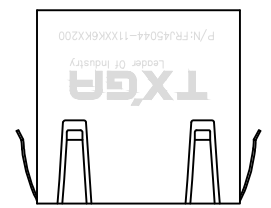
Ordering Information

FRJ45 044 — 1 3 XX K6 K X 1 0 0
 1 2 3 4 5 6 7 8 9

1 Category FRJ45—RJ45 Connector	2 Distinction No. 044	3 Ports options 1—1 Port	4 Plating 3—Selective gold in contact area, tin on tail	5 Thickness of plating 00—Gold flash 02—2μ" Custom plate available
6 Color—Resin K6—Black	7 Packaging K—Tray	8 LED style 1—L: Yellow R: Green 2—L: Green R: Yellow	9 Contact type 1—Square pin	

THIRD ANGLE PROJECTION	GENERAL TOLERANCES (UNLESS SPECIFIED)		APPROVE BY FRANK	DATE 18/JUN/13	PART NO. △ FRJ45044-13XXK6KX100	ITEM NO. FRJ45044	 Leader Of Industry
	DESIGN UNITS Inch (metric)	X.±.012(0.30) X.X±.008(0.20) X.XX±.006(0.15) X.XXX±.004(0.10)	X.±5° .X±2° .XX±1° .XXX±0.5°	CHECKED BY CHERRY	DATE 18/JUN/13	TITLE RJ45 Connector 8P8C 90°Angle	
SCALE 5:1	SIZE A4		DRAWN BY KEVIN	DATE 18/JUN/13	THIS DRAWING CONTAINS INFORMATION THAT IS PROPRIETARY TO TXGA INDUSTRIAL ELECTRONICS(S.Z)CO.,LTD AND SHOULD NOT BE USED WITHOUT WRITTEN PERMISSION		REV 1 SHEET NO. 1/1

REV	LOCATIONS	DESCRIPTION	DATE	REVISER	APPD
1	△	Part No.: Change FRJ45107 into FRJ45044	31/MAY/18	KATE	ERIC



Recommended P.C.Board Layout

SPECIFICATIONS


Electrical Performances
 Current Rating: 1.5A AC(rms)/DC
 Voltage Rating: 125V AC(rms)/DC
 Contact Resistance: 30 mΩ Max
 Insulation Resistance: 500 MΩ MIN
 Withstanding Voltage: 1000V AC r.m.s
 Temperature Range—Operating: -40°C~+85°C

Material and Plating
 Housing: Thermoplastic UL94V-0,
 Contact: Phosphor Bronze
 Contact Plating: Gold Plated
 Shell: Copper Alloy/Nickel Plated

Ordering Information

FRJ45 044 — 1 1 XX K6 K X 2 0 0
 1 2 3 4 5 6 7 8 9

1 Category FRJ45—RJ45 Connector	2 Distinction No. 044	3 Ports options 1—1 Port	4 Plating 1—Gold Plated	5 Thickness of plating 00—Gold flash 03—3μ" Custom plate available
6 Color—Resin K6—Black	7 Packaging K—Tray	8 LED style 1—L: Yellow R: Green 2—L: Green R: Yellow 3—L: Green R: Green+Orange	9 Contact type 2—Round pin	

THIRD ANGLE PROJECTION	GENERAL TOLERANCES (UNLESS SPECIFIED)		APPROVE BY FRANK	DATE 18/JUN/13	PART NO. △ FRJ45044-11XXK6KX200	ITEM NO. FRJ45044	 Leader Of Industry
	DESIGN UNITS Inch (metric)	X.±.012(0.30) X.X±.008(0.20) X.XX±.006(0.15) X.XXX±.004(0.10)	X.±5° .X±2° .XX±1° .XXX±0.5°	CHECKED BY CHERRY	DATE 18/JUN/13	TITLE RJ45 Connector 8P8C 90°Angle	
SCALE 5:1	SIZE A4		DRAWN BY KEVIN	DATE 18/JUN/13	THIS DRAWING CONTAINS INFORMATION THAT IS PROPRIETARY TO TXGA INDUSTRIAL ELECTRONICS(S,Z)CO.,LTD AND SHOULD NOT BE USED WITHOUT WRITTEN PERMISSION		REV 1 SHEET NO. 1/1

X-ON Electronics

Largest Supplier of Electrical and Electronic Components

Click to view similar products for [Modular Connectors](#) / [Ethernet Connectors](#) category:

Click to view products by [TXGA](#) manufacturer:

Other Similar products are found below :

[RJE231881317T](#) [MP1010RX-1000](#) [MP44RX-1000](#) [GAX-3-66](#) [GAX-8-62](#) [93606-0253](#) [GD-A-44](#) [GDCX-PA-66-50](#) [GDCX-PN-64](#) [GDCX-PN-66](#) [GDCX-PN-66-50](#) [GDLX-A-66](#) [GDLX-A-88](#) [GDLX-N-66](#) [GDLX-S-88K](#) [GDTX-S-88-50](#) [GDX-PA-1010](#) [GLX-N-1010M-BLK](#) [GLX-N-44M](#) [GLX-S-88M-BLK](#) [GMX-N-1010](#) [GMX-S-1010](#) [GMX-S-66](#) [GMX-SMT2-N-1010](#) [GMX-SMT2-N-64-50](#) [GMX-SMT2-S6-88](#) [GMX-SMT4-N-88](#) [GPX-2-64](#) [GRT1-BT1-5](#) [GSGX-N-2-88](#) [GSX-NS2-88-3.05](#) [GSX-NS2-88-3.05-50](#) [GSX-NS-88-3.05-30](#) [GSX-NS-88-3.05-50](#) [GSX-NS-88-3.68](#) [1-1775629-2](#) [GWLX-S-88-GR](#) [GWLX-S9-88-YG](#) [1300500326](#) [1300500227](#) [1300530003](#) [1300570002](#) [1324640-4](#) [RJ11FTVC2G](#) [RJ11FTVC2N](#) [RJFTVX2SA1G](#) [132764-001](#) [1400000](#) [1413176](#) [1413235](#)