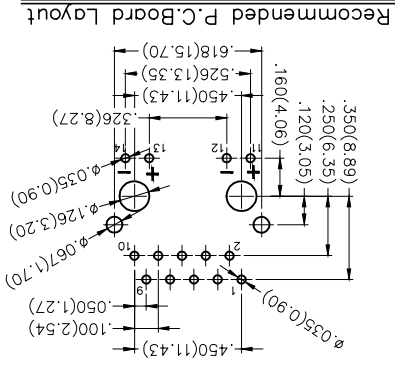
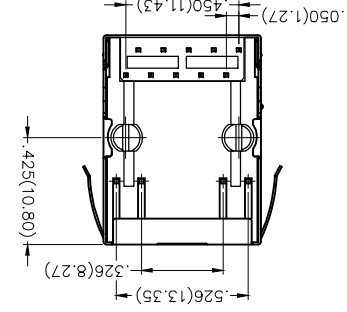
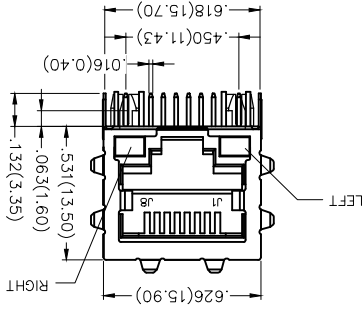
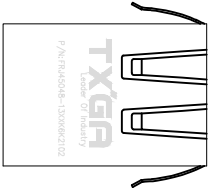
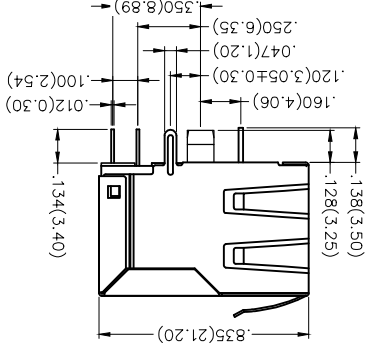


REV	LOCATIONS	DESCRIPTION	DATE	REWSEER	APPD
1		Part No.: Change FRJ45100 into FRJ45048	31/MAY/18	Vandy	Eric

SPECIFICATIONS

Electrical
 Current Rating: 1.5A AC(rms)/DC
 Voltage Rating: 125V AC(rms)/DC
 Contact Resistance: 40 mΩ Max
 Insulation Resistance: 1000 MΩ Min / DC 500V
 Withstanding Voltage: 1000V AC r.m.s
 Operating Temperature: -20°C~+70°C

Material and Plating
 Housing: PBT UL94V-0, Black
 Contact: Phosphor Bronze/Gold Plated/Selective
 Gold Plated On Contact Area, Matte Tin Plated On Tails.
 Shell: Brass T=.008(0.20mm)/Nickel Plated



Ordering Information

FRJ45 048 - 1 3 XX K6 K X 1 0 2

1	Category	FRJ45-RJ45 Connector
2	Distinction No.	048
3	Ports options	1-1 Port
4	Plating	3-Selective gold in tin on tail
5	Thickness of plating	00-Gold flash 03-3μ Custom plate available
6	Color-Resin	K6-Black
7	Packaging	K-Tray
8	LED style	1-L: Yellow R: Green 2-L: Green R: Yellow
9	Contact type	1-Square pin
10	Pin circuits	2-100Base-T

THIRD ANGLE PROJECTION	DESIGN UNITS	SCALE	GENERAL TOLERANCES (UNLESS SPECIFIED)	APPROVE BY	DATE	PART NO.	ITEM NO.
	X.X±.012(0.30)	5:1	X.X±.006(0.15)	FRANK	18/JUN/13	FRJ45048-13XXK6K2102	FRJ45048
	X.X±.008(0.20)	Inch (metric)	X.X±.004(0.10)	CHEERRY	18/JUN/13	RJ45 Connectors 10P8C	
	X.X±.05	A4	X.X±.05	KATE	18/JUN/13	RJ45 Connectors 10P8C	

THIS DRAWING CONTAINS INFORMATION THAT IS PROPRIETARY TO TXGA INDUSTRIAL ELECTRONICS(SZ)CO.,LTD AND SHOULD NOT BE USED WITHOUT WRITTEN PERMISSION



8

7

6

5

4

3

2

1

F

E

D

C

B

A

F

E

D

C

B

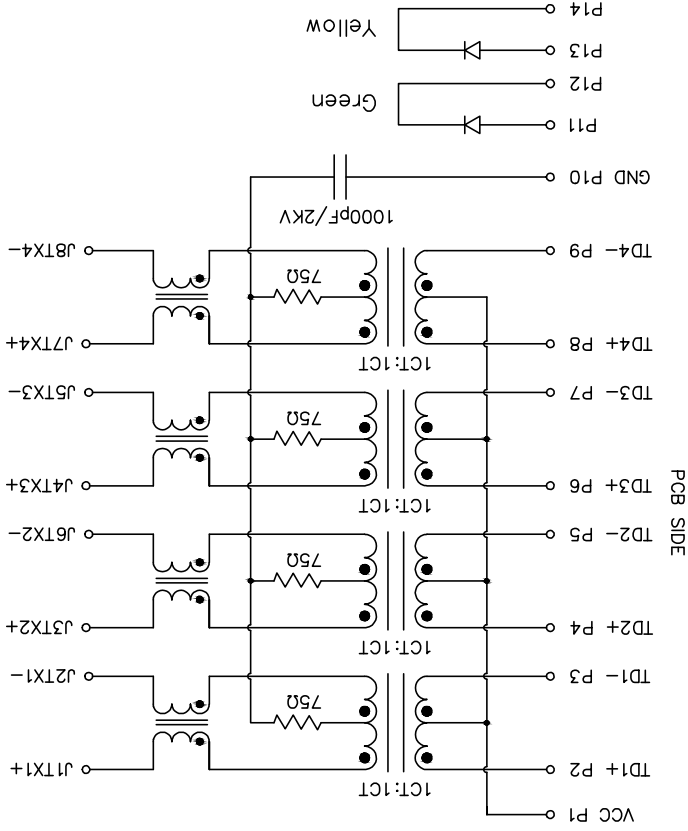
A

REV	LOCATIONS	DESCRIPTION	DATE	REVISER	APPD
1					

PARAMETER	SPECIFICATIONS
OPERATING TEMPERATURE	0°C to +70°C
TURNS RATIO	1:1±2%
INDUCTANCE(OL)	350uH Min@100kHz/100mV with 8mA DC Bias
INSERTION LOSS	-1.0dB Max@0.3MHz-100MHz;
RETURN LOSS	-18dB Min@1MHz-30MHz;-13dB Min@30MHz-60MHz; -10dB Min@60MHz-100MHz;
CROSSTALK (ADJACENT CHANNELS)	-30dB Min@1MHz-100MHz;
COMMON MODE REJECTION RATIO	-30dB Min@1MHz-100MHz;
HI-POT	2250 VDC@60 SECONDS

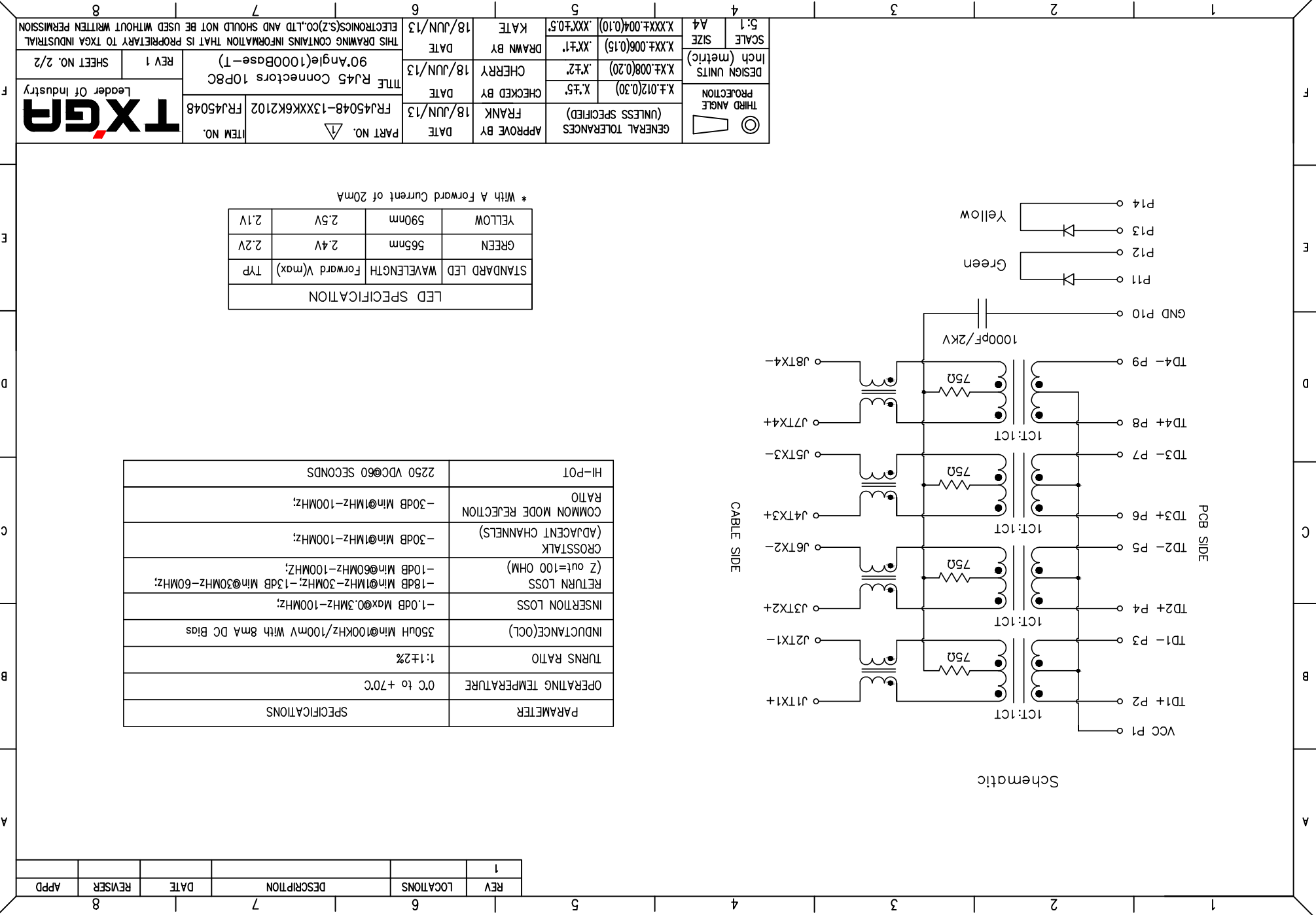
LED SPECIFICATION			
STANDARD LED	WAVELENGTH	Forward V(max)	TYP
GREEN	565nm	2.4V	2.2V
YELLOW	590nm	2.5V	2.1V

* With A Forward Current of 20mA



Schematic

THIRD ANGLE PROJECTION		X.F.012(0.30)		X.F.5		18/JUN/13		FRJ45048-13XXK6K2102		FRJ45048	
GENERAL TOLERANCES (UNLESS SPECIFIED)		FRANK		CHECKED BY		DATE		PART NO.		ITEM NO.	
X.XX±.004(0.10)		X.XX±.1		CHERRY		DATE		TITLE		REV 1	
X.XX±.006(0.15)		X.XX±.1		DRAWN BY		DATE		RJ45 Connectors 10P8C		SHEET NO. 2/2	
X.XX±.008(0.20)		X.F.2		KATE		DATE		90°Angle(100Base-T)		ELECTRONICS(Z)CO.,LTD AND SHOULD NOT BE USED WITHOUT WRITTEN PERMISSION	
X.XX±.004(0.10)		X.XX±.05		18/JUN/13		18/JUN/13		90°Angle(100Base-T)		ELECTRONICS(Z)CO.,LTD AND SHOULD NOT BE USED WITHOUT WRITTEN PERMISSION	
SCALE SIZE		A4		5:1							



X-ON Electronics

Largest Supplier of Electrical and Electronic Components

Click to view similar products for [Modular Connectors](#) / [Ethernet Connectors](#) category:

Click to view products by [TXGA](#) manufacturer:

Other Similar products are found below :

[RJE231881317T](#) [MP1010RX-1000](#) [MP44RX-1000](#) [GAX-3-66](#) [GAX-8-62](#) [93606-0253](#) [GD-A-44](#) [GDCX-PA-66-50](#) [GDCX-PN-64](#) [GDCX-PN-66](#) [GDCX-PN-66-50](#) [GDLX-A-66](#) [GDLX-A-88](#) [GDLX-N-66](#) [GDLX-S-88K](#) [GDTX-S-88-50](#) [GDX-PA-1010](#) [GLX-N-1010M-BLK](#) [GLX-N-44M](#) [GLX-S-88M-BLK](#) [GMX-N-1010](#) [GMX-S-1010](#) [GMX-S-66](#) [GMX-SMT2-N-1010](#) [GMX-SMT2-N-64-50](#) [GMX-SMT2-S6-88](#) [GMX-SMT4-N-88](#) [GPX-2-64](#) [GRT1-BT1-5](#) [GSGX-N-2-88](#) [GSX-NS2-88-3.05](#) [GSX-NS2-88-3.05-50](#) [GSX-NS-88-3.05-30](#) [GSX-NS-88-3.05-50](#) [GSX-NS-88-3.68](#) [1-1775629-2](#) [GWLX-S-88-GR](#) [GWLX-S9-88-YG](#) [1300500326](#) [1300500227](#) [1300530003](#) [1300570002](#) [1324640-4](#) [RJ11FTVC2G](#) [RJ11FTVC2N](#) [RJFTVX2SA1G](#) [132764-001](#) [1400000](#) [1413176](#) [1413235](#)