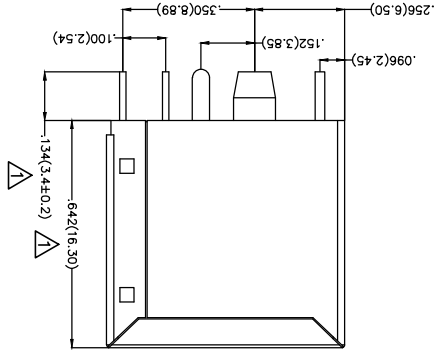
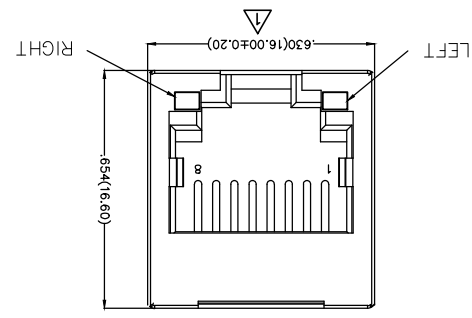
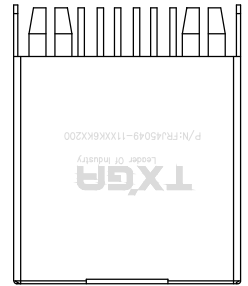
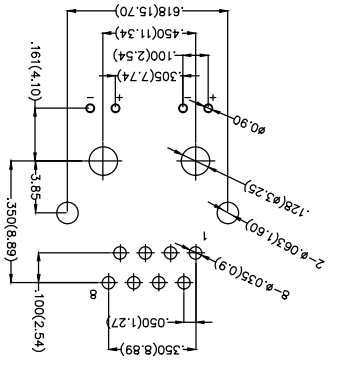


Recommended P.C.Board Layout



THIRD ANGLE	PROJECTION	X.±.012(0.30)	X.±.008(0.20)	X.±.006(0.15)	X.XXX±.004(0.10)	.XXX±.0.5	JACOB	1/AUG/13	DATE	1/AUG/13	THIS DRAWING CONTAINS INFORMATION THAT IS PROPRIETARY TO TXGA INDUSTRIAL ELECTRONICS(SZ)CO.,LTD AND SHOULD NOT BE USED WITHOUT WRITTEN PERMISSION
SCALE	SIZE	A4	5:1								
DESIGN UNITS	Inch (metric)	X.±.2	X.±.2	X.±.2	X.±.2	X.±.2	CHEERRY	1/AUG/13	DATE	180° Vertical	
APPROVE BY	CHECKED BY	DATE	DATE	DATE	DATE	DATE	FRANK	1/AUG/13	DATE	REV 1	
GENERAL TOLERANCES	(UNLESS SPECIFIED)						FRJ45049	ITEM NO.	FRJ45049	SHEET NO. 1/1	
							FRJ45049-11XXK6KX200		FRJ45049		

6	Color-Resin	7	Packaging	8	LED style	9	Contact type
1	Category	2	Distinction No.	3	Ports options	4	Plating
5	Thickness of plating	6	00-Gold flash	7	03-3µ"	8	Custom plate available

Ordering Information

FRJ45 049 - 1 1 XX K6 K X 2 0 0

SPECIFICATIONS

Electrical Performances
 Current Rating: 1.5A Ac(rms)/DC
 Voltage Rating: 125V Ac(rms)/DC
 Contact Resistance: 50 mΩ Max
 Insulation Resistance: 500 MΩ MIN
 Withstanding Voltage: 1000V AC r.m.s
 Temperature Range-Operating: -40°C~+85°C
 Material and Plating
 Housing: PBT UL 94V-0
 Contact: Phosphor Bronze/Gold Plated
 Shell: Copper Alloy/Nickel Plated
 Mechanical Performances
 Mating/Unmating Force: 30N Max
 Retention Strength: 50N For 60s±5s
 Durability: 750 Cycles Min.
 Environmental Characteristics
 Temperature Range-Operating: -40°C~+85°C

REV	LOCATIONS	DESCRPTION	DATE	REVISER	APPD
1		1. Dimension: Change 15.80 into 16.00mm Change 3.20 into 3.4mm	01/JUN/18	Vandy	Eric
		2. Part No.: Change FRJ4549 into FRJ45049			



X-ON Electronics

Largest Supplier of Electrical and Electronic Components

Click to view similar products for [Modular Connectors](#) / [Ethernet Connectors](#) category:

Click to view products by [TXGA](#) manufacturer:

Other Similar products are found below :

[RJE231881317T](#) [MP1010RX-1000](#) [MP44RX-1000](#) [GAX-3-66](#) [GAX-8-62](#) [93606-0253](#) [GD-A-44](#) [GDCX-PA-66-50](#) [GDCX-PN-64](#) [GDCX-PN-66](#) [GDCX-PN-66-50](#) [GDLX-A-66](#) [GDLX-A-88](#) [GDLX-N-66](#) [GDLX-S-88K](#) [GDTX-S-88-50](#) [GDX-PA-1010](#) [GLX-N-1010M-BLK](#) [GLX-N-44M](#) [GLX-S-88M-BLK](#) [GMX-N-1010](#) [GMX-S-1010](#) [GMX-S-66](#) [GMX-SMT2-N-1010](#) [GMX-SMT2-N-64-50](#) [GMX-SMT2-S6-88](#) [GMX-SMT4-N-88](#) [GPX-2-64](#) [GRT1-BT1-5](#) [GSGX-N-2-88](#) [GSX-NS2-88-3.05](#) [GSX-NS2-88-3.05-50](#) [GSX-NS-88-3.05-30](#) [GSX-NS-88-3.05-50](#) [GSX-NS-88-3.68](#) [1-1775629-2](#) [GWLX-S-88-GR](#) [GWLX-S9-88-YG](#) [1300500326](#) [1300500227](#) [1300530003](#) [1300570002](#) [1324640-4](#) [RJ11FTVC2G](#) [RJ11FTVC2N](#) [RJFTVX2SA1G](#) [132764-001](#) [1400000](#) [1413176](#) [1413235](#)