

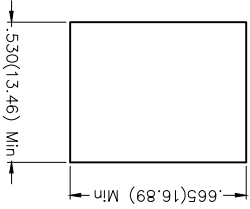
| REV | LOCATIONS | DESCRIPTION | DATE | REVISER | APPD |
|-----|-----------|--|-----------|---------|------|
| 1 | △ | 1. Dimension: Change 2.62 into 2.90mm 2. Part No.: Change FRJ4598 into FRJ45050 | 01/JUN/18 | Vandy | Eric |

SPECIFICATIONS

Electrical
 Current Rating: 1.5A AC(rms)/DC
 Voltage Rating: 125V AC(rms)/DC
 Contact Resistance: 40 mΩ Max
 Insulation Resistance: 1000 MΩ Min / DC 500V
 Withstanding Voltage: 1000V AC r.m.s
 Operating Temperature: -20°C~+75°C
 Durability: 750 Cycles Min.

Material and Plating
 Housing: PBT UL94V-0, Black
 Contact: Phosphor Bronze/ Selective gold in contact area, tin on tail
 Shell: Brass/ Nickel Plated

Recommended Panel Cutout



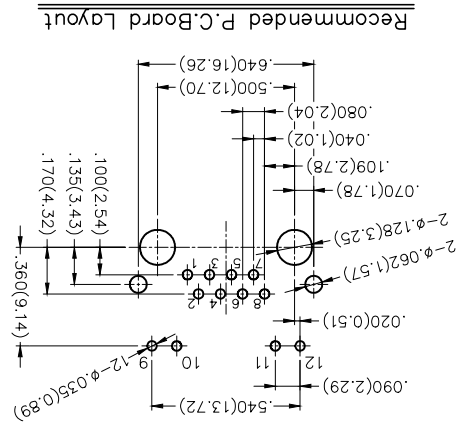
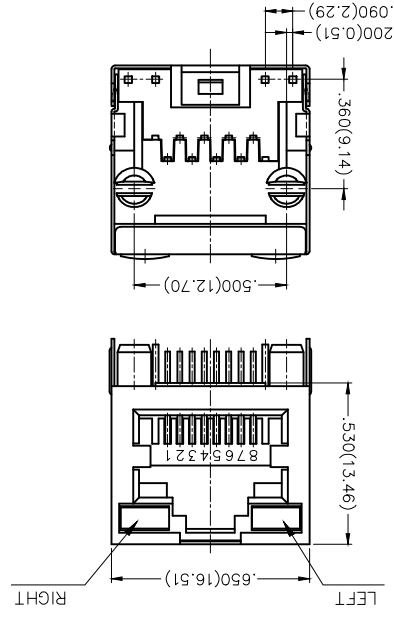
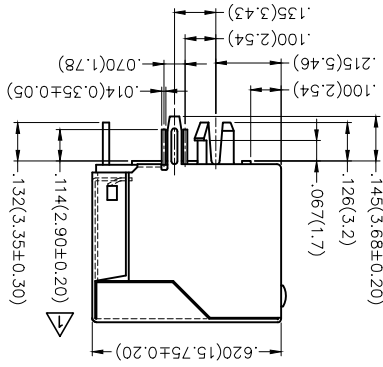
| | | | |
|----------------|----|---|----|
| Circuits Left | 11 | + | 12 |
| Circuits Right | 9 | - | 10 |

Ordering Information

FRJ45 050 - 1 3 XX K6 X 1 0 0

| | | |
|---|----------------------|---|
| 1 | Category | FRJ45-RJ45 Connector |
| 2 | Distinction No. | 050 |
| 3 | Ports options | 1-1 Port |
| 4 | Plating | 3-Selective gold in contact area, tin on tail |
| 5 | Thickness of plating | 00-Gold flash 06-6μ" |
| 6 | Color-Resin | K6-Black |
| 7 | Packaging | K-Tray |
| 8 | LED style | 1-L: Yellow R: Green 2-L: Green R: Yellow |
| 9 | Contact type | 1-Square pin |

| | | | | | |
|---------------------------------------|------|------------|-----------|--|----------|
| GENERAL TOLERANCES (UNLESS SPECIFIED) | | APPROVE BY | DATE | PART NO. | ITEM NO. |
| X.X±.012(0.30) | | FRANK | 18/JUN/13 | FRJ45050-13XXK6KX100 | FRJ45050 |
| X.X±.008(0.20) | | CHECKED BY | DATE | TITLE | |
| X.X±.006(0.15) | | CHERRY | 18/JUN/13 | RJ45 Connector 8P8C | |
| X.XXX±.004(0.10) | | DRAWN BY | DATE | THIS DRAWING CONTAINS INFORMATION THAT IS PROPRIETARY TO TXGA INDUSTRIAL ELECTRONICS(Z)CO.,LTD AND SHOULD NOT BE USED WITHOUT WRITTEN PERMISSION | |
| X.XXX±0.5 | | KATE | 18/JUN/13 | | |
| SCALE | SIZE | | | | |
| 5:1 | A4 | | | | |
| DESIGN UNITS | | | | | |
| Inch (metric) | | | | | |
| THIRD ANGLE PROJECTION | | | | | |



X-ON Electronics

Largest Supplier of Electrical and Electronic Components

Click to view similar products for [Modular Connectors](#) / [Ethernet Connectors](#) category:

Click to view products by [TXGA](#) manufacturer:

Other Similar products are found below :

[RJE231881317T](#) [MP1010RX-1000](#) [MP44RX-1000](#) [GAX-3-66](#) [GAX-8-62](#) [93606-0253](#) [GD-A-44](#) [GDCX-PA-66-50](#) [GDCX-PN-64](#) [GDCX-PN-66](#) [GDCX-PN-66-50](#) [GDLX-A-66](#) [GDLX-A-88](#) [GDLX-N-66](#) [GDLX-S-88K](#) [GDTX-S-88-50](#) [GDX-PA-1010](#) [GLX-N-1010M-BLK](#) [GLX-N-44M](#) [GLX-S-88M-BLK](#) [GMX-N-1010](#) [GMX-S-1010](#) [GMX-S-66](#) [GMX-SMT2-N-1010](#) [GMX-SMT2-N-64-50](#) [GMX-SMT2-S6-88](#) [GMX-SMT4-N-88](#) [GPX-2-64](#) [GRT1-BT1-5](#) [GSGX-N-2-88](#) [GSX-NS2-88-3.05](#) [GSX-NS2-88-3.05-50](#) [GSX-NS-88-3.05-30](#) [GSX-NS-88-3.05-50](#) [GSX-NS-88-3.68](#) [1-1775629-2](#) [GWLX-S-88-GR](#) [GWLX-S9-88-YG](#) [1300500326](#) [1300500227](#) [1300530003](#) [1300570002](#) [1324640-4](#) [RJ11FTVC2G](#) [RJ11FTVC2N](#) [RJFTVX2SA1G](#) [132764-001](#) [1400000](#) [1413176](#) [1413235](#)