

REV	LOCATIONS	DESCRIPTION	DATE	REVISER	APPD
1		1. Dimension: Change 21.30 into 21.30mm 2. Part No.: Change FRJ4556 into FRJ45056	01/JUN/18	Vandy	Eric

### SPECIFICATIONS

**Electrical Performances**  
 Current Rating: 1.5A AC(rms)/DC  
 Voltage Rating: 125V AC(rms)/DC  
 Contact Resistance: 30 mΩ Max  
 Insulation Resistance: 500 MΩ Min  
 Withstanding Voltage: 1000V AC r.m.s.  
 Operating Temperature: -40°C~+85°C

**Mechanical Performances**  
 Mating/Umating Force: 30N Max  
 Retention Strength: 50N For 60s±5s  
 Durability: 750 Cycles Min.

**Material and Plating**  
 Housing: PBT (UL 94V-0)  
 Contact: Phosphor Bronze/Selective gold in contact area, matte tin on tail  
 Shell: Copper Alloy/Nickel Plated

### Ordering Information

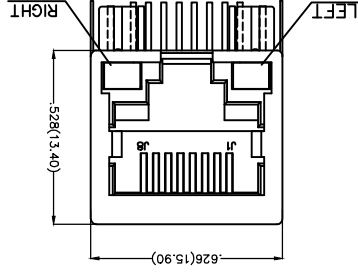
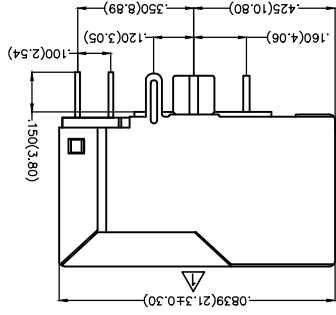
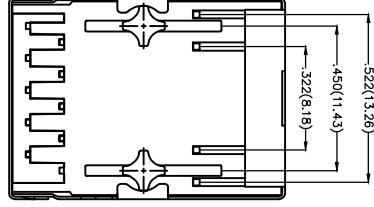
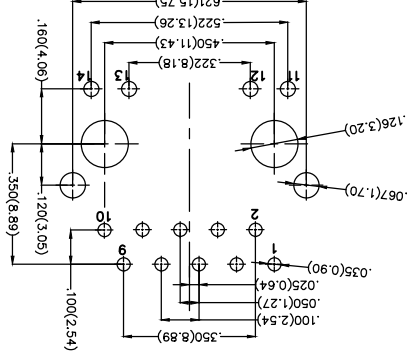
FRJ45 056 - 1 3 XX K6 K X 1 0 2

1	Category	FRJ45-RJ45 Connector
2	Distinction No.	056
3	Ports options	1-1 Port
4	Plating	3-Selective gold in contact area, tin on tail
5	Thickness of plating	00-Gold flash 03-3μ"
6	Color-Resin	K6-Black
7	Packaging	K-Tray
8	LED style	1-L: Yellow R: Green 2-L: Green R: Yellow
9	Contact type	1-Square pin
10	Pin circuits	2-100Base-T

GENERAL TOLERANCES (UNLESS SPECIFIED)	APPROVE BY	DATE	PART NO.	ITEM NO.
X.±.012(0.30)	FRANK	1/AUG/13	FRJ45056-13XXK6KX102	FRJ45056
X.±.008(0.20)	CHECKED BY	DATE	TITLE	
X.±.006(0.15)	CHERRY	1/AUG/13	RJ45 Connector 10P8C 90°Angle(100Base-T)	REV 1
X.XXX±.004(0.10)	DRAWN BY	DATE	THIS DRAWING CONTAINS INFORMATION THAT IS PROPRIETARY TO TXGA INDUSTRIAL ELECTRONICS(SZ)CO.,LTD AND SHOULD NOT BE USED WITHOUT WRITTEN PERMISSION	
A4	JACOB	1/AUG/13	SHEET NO. 1/2	
SCALE				
5:1				

**TXGA**  
Leader Of Industry

### Recommended P.C.Board Layout



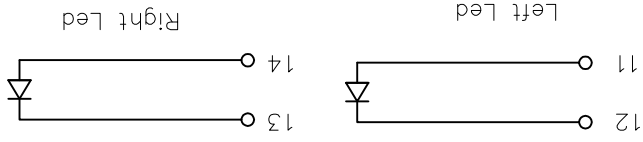
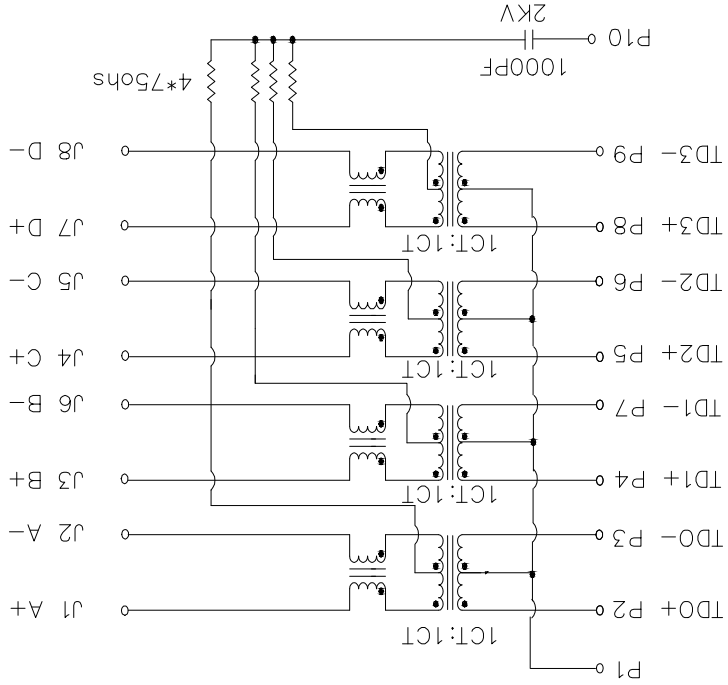
REV	LOCATIONS	DESCRIPTION	DATE	REVISER	APPD
1					

ELECTRICAL SPECIFICATION

TURN RATIO  
 1.SECONDARY:PRIMARY=1CT:1CAT ±3%  
 OCL: 350uH min,8mA DC bias current  
 INSERTION LOSS:1-100MHZ-1.0dB max  
 RETURN LOSS:

1MHZ TO 10MHZ:-18dB min  
 10MHZ TO 30MHZ:-16dB min  
 30MHZ TO 60MHZ:-14dB min  
 60MHZ TO 80MHZ:-12dB min  
 80MHZ TO 100MHZ:-10dB min  
 CROSS TALK:  
 1MHZ TO 100MHZ:-35dB min  
 100MHZ TO 100MHZ:-35dB min

COMMON MODE REJECTION:  
 HIPOT:1200V AC 1mA 1S  
 CAPACITOR:1000pF ±20% 2KV  
 RESISTANCE: 750HMS±5%  
 RESISTANCE OF COIL:1.8HMS max,0.250HMS min



THIRD ANGLE PROJECTION	X.±.012(0.30)	X.±.5	DATE	1/SEPT/13	PART NO.	FRJ45056-13XXK6KX102	ITEM NO.	FRJ45056
GENERAL TOLERANCES (UNLESS SPECIFIED)	FRANK	1/SEPT/13	APPROVE BY	DATE	FRJ45056-13XXK6KX102	FRJ45056		
DESIGN UNITS Inch (metric)	X.±.008(0.20)	X.±.2	CHECKED BY	DATE	RJ45 Connector 10P8C			
SCALE	5:1	A4	DRAWN BY	DATE	RJ45 Connector 10P8C			
	X.±.006(0.15)	X.±.1	JACOB	1/SEPT/13	90°Angle(100Base-T)			
	X.±.004(0.10)	.XXX±0.5						



THIS DRAWING CONTAINS INFORMATION THAT IS PROPRIETARY TO TXGA INDUSTRIAL ELECTRONICS(SZ)CO.,LTD AND SHOULD NOT BE USED WITHOUT WRITTEN PERMISSION

REV 1 SHEET NO. 2/2

## X-ON Electronics

Largest Supplier of Electrical and Electronic Components

*Click to view similar products for [Modular Connectors](#) / [Ethernet Connectors](#) category:*

*Click to view products by [TXGA](#) manufacturer:*

Other Similar products are found below :

[RJE231881317T](#) [MP1010RX-1000](#) [MP44RX-1000](#) [GAX-3-66](#) [GAX-8-62](#) [93606-0253](#) [GD-A-44](#) [GDCX-PA-66-50](#) [GDCX-PN-64](#) [GDCX-PN-66](#) [GDCX-PN-66-50](#) [GDLX-A-66](#) [GDLX-A-88](#) [GDLX-N-66](#) [GDLX-S-88K](#) [GDTX-S-88-50](#) [GDX-PA-1010](#) [GLX-N-1010M-BLK](#) [GLX-N-44M](#) [GLX-S-88M-BLK](#) [GMX-N-1010](#) [GMX-S-1010](#) [GMX-S-66](#) [GMX-SMT2-N-1010](#) [GMX-SMT2-N-64-50](#) [GMX-SMT2-S6-88](#) [GMX-SMT4-N-88](#) [GPX-2-64](#) [GRT1-BT1-5](#) [GSGX-N-2-88](#) [GSX-NS2-88-3.05](#) [GSX-NS2-88-3.05-50](#) [GSX-NS-88-3.05-30](#) [GSX-NS-88-3.05-50](#) [GSX-NS-88-3.68](#) [1-1775629-2](#) [GWLX-S-88-GR](#) [GWLX-S9-88-YG](#) [1300500326](#) [1300500227](#) [1300530003](#) [1300570002](#) [1324640-4](#) [RJ11FTVC2G](#) [RJ11FTVC2N](#) [RJFTVX2SA1G](#) [132764-001](#) [1400000](#) [1413176](#) [1413235](#)