

REV	LOCATIONS	DESCRIPTION	DATE	REVISOR	APPD
1	△	Part No.: Change FRJ45156 into FRJ45081	25/MAY/18	KATE	ANDY



SPECIFICATIONS

Electrical

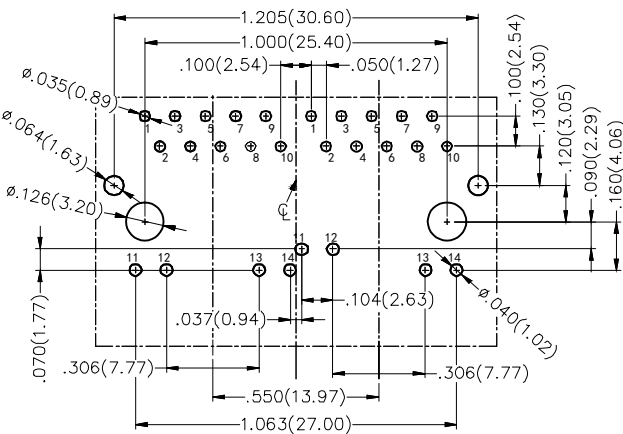
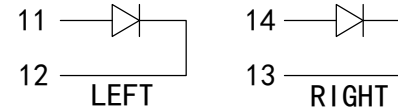
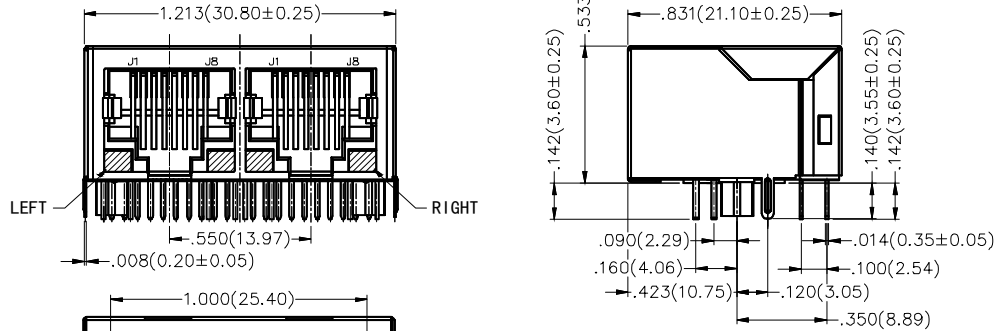
Current Rating: 1.5A AC(rms)/DC
 Voltage Rating: 125V AC(rms)/DC
 Contact Resistance: 50 mΩ Max
 Insulation Resistance: 500 MΩ Min / DC 500V
 Withstanding Voltage: 1000V AC r.m.s.
 Operating Temperature: -40°C~+85°C

Mechanical

Durability: 750 cycles
 Mating Force: 30N MAX.

Material and plating

Housing: PBT (UL 94V-0), Black
 Terminals bracket: PBT,UL94V-0,Black
 Contact: Phosphor Bronze C5210 /
 Selective gold in contact area, tin on tail
 Shield: C2680/ Nickel Plated



Recommended P.C.Board Layout

Ordering Information

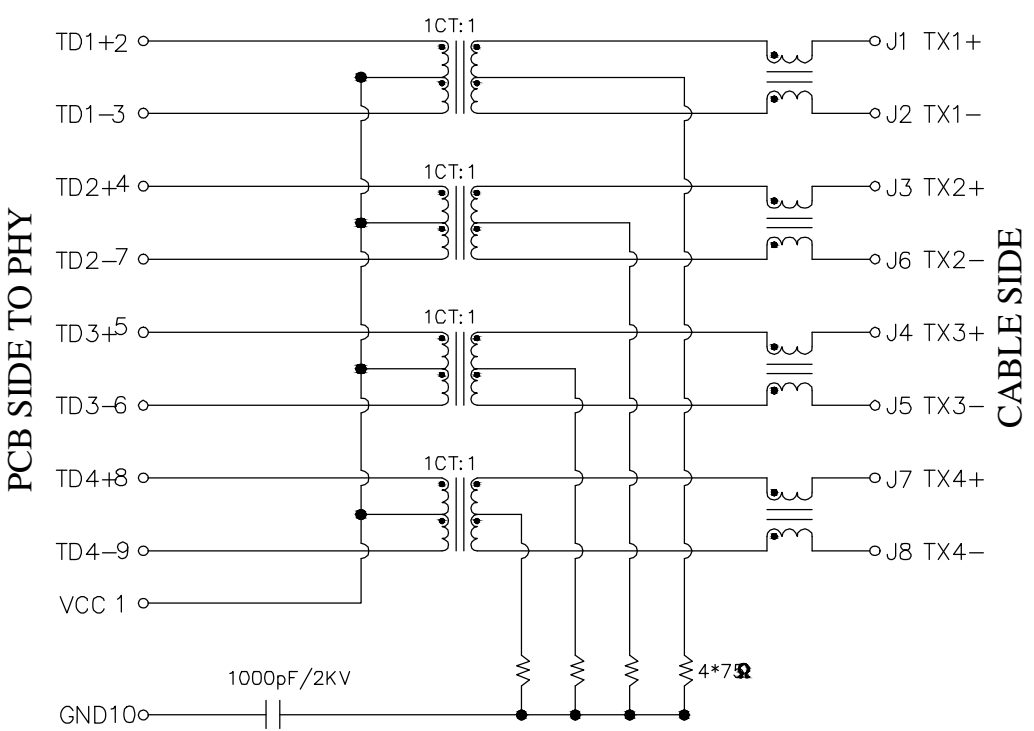
FRJ45 081 — 2 3 XX K6 K X 1 0 2
 1 2 3 4 5 6 7 8 9 10

1 Category FRJ45-RJ45 Connector	2 Distinction No. 081	3 Ports options 2-2 Ports	4 Plating 3-Selective gold in contact area, tin on tail	5 Thickness of plating 00-Gold flash 03-3μ" Custom plate available
6 Color-Resin K6-Black	7 Packaging K- Tray	8 LED style 1-L: Yellow R: Green 2-L: Green R: Yellow	9 Contact type 1-Square pin	10 Pin circuits 2-1000Base-T

THIRD ANGLE PROJECTION	GENERAL TOLERANCES (UNLESS SPECIFIED)		APPROVE BY FRANK	DATE 09/DEC/16	PART NO. △ FRJ45081-23XXK6KX102	ITEM NO. FRJ45081	<p>Leader Of Industry</p>
	DESIGN UNITS Inch (metric)	X.±.013(0.35)	X'.±5'	CHECKED BY CHERRY	DATE 09/DEC/16	TITLE RJ45 Connectors 10P8C 90°Angle(1000Base-T)	
SCALE 5:1	SIZE A4	X.XX±.010(0.25)	.XX'±1'	DRAWN BY KATE	DATE 09/DEC/16	THIS DRAWING CONTAINS INFORMATION THAT IS PROPRIETARY TO TXGA INDUSTRIAL ELECTRONICS(S.Z)CO.,LTD AND SHOULD NOT BE USED WITHOUT WRITTEN PERMISSION	
		X.XXX±.004(0.10)	.XXX±0.5'			REV 1	SHEET NO. 1/2

1 2 3 4 5 6 7 8

REV	LOCATIONS	DESCRIPTION	DATE	REVISER	APPD



- Electrical:
- Turn ratio: 2~3: J1~J2=1CT:1CT(±2%).
4~7: J3~J6=1CT:1CT(±2%).
5~6: J4~J5=1CT:1CT(±2%).
8~9: J7~J8=1CT:1CT(±2%).
 - OCL: 350uH Min.at 100KHz 100mV 8mA DC.
 - Insertion Loss: -1.0 dB Max 1~100MHz.
 - Return loss: -20dB Min 1~10MHz;
-16dB Min 10~30MHz;
-12dB Min 30~60MHz;
-10dB Min 60~80MHz;
 - Cross talk: -40dB Min 1~30MHz;
-35dB Min 3~60MHz;
-30dB Min 60~100MHz;
 - CMR: -35dB Min 1~100MHz;
 - Hi-Pot: 1500V AC & 2250V DC
6S 1mA PRI TO SEC

LED Specification

Standard LED Color	LED Wavelength	Foward(A)	Foward(V)
Green	568nm	20mA	1.8 -2.8V
Yellow	585nm	20mA	1.8 -2.8V

<p>THIRD ANGLE PROJECTION</p>	GENERAL TOLERANCES (UNLESS SPECIFIED)		APPROVE BY FRANK	DATE 09/DEC/16	PART NO. FRJ45081-23XXK6KX102	ITEM NO. FRJ45081	<p>Leader Of Industry</p>	
	DESIGN UNITS Inch (metric)	X.±.013(0.35) X.X±.012(0.30)	X.±5' .X'±2'	CHECKED BY CHERRY	DATE 09/DEC/16	TITLE RJ45 Connectors 10P8C 90°Angle(1000Base-T)		REV 1
	SCALE 5:1	SIZE A4	X.XX±.010(0.25) X.XXX±.004(0.10)	.XX'±1' .XXX'±0.5'	DRAWN BY KATE	DATE 09/DEC/16	THIS DRAWING CONTAINS INFORMATION THAT IS PROPRIETARY TO TXGA INDUSTRIAL ELECTRONICS(S.Z)CO.,LTD AND SHOULD NOT BE USED WITHOUT WRITTEN PERMISSION	

1 2 3 4 5 6 7 8

X-ON Electronics

Largest Supplier of Electrical and Electronic Components

Click to view similar products for [Modular Connectors](#) / [Ethernet Connectors](#) category:

Click to view products by [TXGA](#) manufacturer:

Other Similar products are found below :

[RJE231881317T](#) [MP1010RX-1000](#) [MP44RX-1000](#) [GAX-3-66](#) [GAX-8-62](#) [93606-0253](#) [GD-A-44](#) [GDCX-PA-66-50](#) [GDCX-PN-64](#) [GDCX-PN-66](#) [GDCX-PN-66-50](#) [GDLX-A-66](#) [GDLX-A-88](#) [GDLX-N-66](#) [GDLX-S-88K](#) [GDTX-S-88-50](#) [GDX-PA-1010](#) [GLX-N-1010M-BLK](#) [GLX-N-44M](#) [GLX-S-88M-BLK](#) [GMX-N-1010](#) [GMX-S-1010](#) [GMX-S-66](#) [GMX-SMT2-N-1010](#) [GMX-SMT2-N-64-50](#) [GMX-SMT2-S6-88](#) [GMX-SMT4-N-88](#) [GPX-2-64](#) [GRT1-BT1-5](#) [GSGX-N-2-88](#) [GSX-NS2-88-3.05](#) [GSX-NS2-88-3.05-50](#) [GSX-NS-88-3.05-30](#) [GSX-NS-88-3.05-50](#) [GSX-NS-88-3.68](#) [1-1775629-2](#) [GWLX-S-88-GR](#) [GWLX-S9-88-YG](#) [1300500326](#) [1300500227](#) [1300530003](#) [1300570002](#) [1324640-4](#) [RJ11FTVC2G](#) [RJ11FTVC2N](#) [RJFTVX2SA1G](#) [132764-001](#) [1400000](#) [1413176](#) [1413235](#)