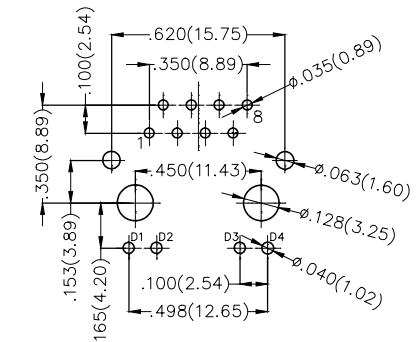


| REV | LOCATIONS | DESCRIPTION | DATE | REVISER | APPD |
|-----|-----------|---|-----------|---------|--------|
| 1 | ▲ | Part No.: Change FRJ45110 into FRJ45083 | 29/JAN/19 | KATE | ANDY |
| 2 | ▲ | Structural and tolerance changes | 19/APR/21 | KATE | JOHNNY |

SPECIFICATIONS

Electrical Performances
 Current Rating: 1.5A AC(rms)/DC
 Voltage Rating: 125V AC(rms)/DC
 Contact Resistance: 30 mΩ Max
 Insulation Resistance: 500 MΩ MIN
 Withstanding Voltage: 1000V AC r.m.s
 Temperature Range—Operating: -40°C~+85°C

Material and Plating
 Housing: Thermoplastic UL94V-0,
 Contact: Phosphor Bronze/Gold Plated
 Shell: Copper Alloy/Nickel Plated

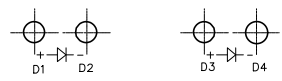
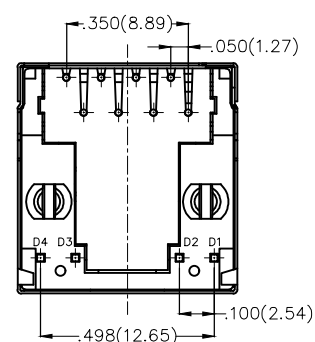
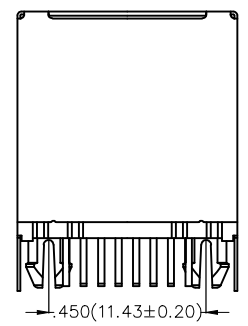
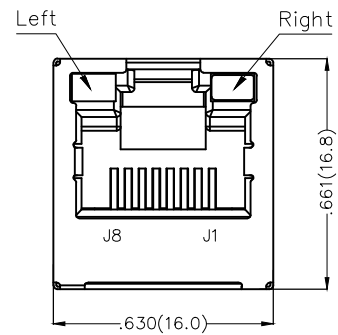
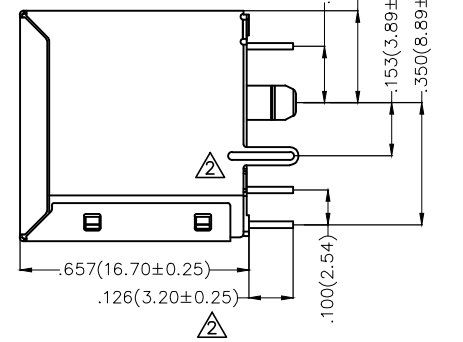
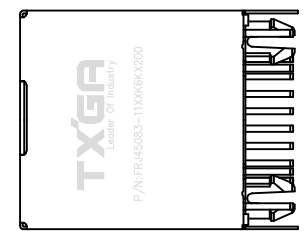



Recommended P.C.Board Layout

Ordering Information

FRJ45 083 — 1 1 XX K6 K X 2 0 0
 1 2 3 4 5 6 7 8 9

| | | | | |
|--------------------------------------|----------------------------|--|---------------------------------|---|
| 1 Category FRJ45—RJ45 Connector | 2 Distinction No. 083 | 3 Ports options 1—1 Port | 4 Plating 1—Gold Plated | 5 Thickness of plating 00—Gold flash 03—3μ" Custom plate available |
| 6 Color—Resin K6—Black | 7 Packaging K—Tray | 8 LED style 1—L: Yellow R: Green 2—L: Green R: Yellow 8—L: Yellow R: Yellow | 9 Contact type 2—Round pin | |



| | | | | | | | |
|------------------------|---------------------------------------|--|--|----------------------|--|---|---|
| THIRD ANGLE PROJECTION | GENERAL TOLERANCES (UNLESS SPECIFIED) | | APPROVE BY FRANK | DATE 18/JUN/13 | PART NO. ▲ FRJ45083-11XXK6KX200 | ITEM NO. FRJ45083 |  Leader Of Industry |
| | DESIGN UNITS Inch (metric) | X.±.012(0.30) X.X±.008(0.20) X.XX±.006(0.15) X.XXX±.004(0.10) | X.±5° .X'±2° .XX'±1° .XXX'±0.5° | CHECKED BY CHERRY | DATE 18/JUN/13 | TITLE RJ45 Connector 8P8C 180° Vertical | |
| SCALE 5:1 | SIZE A4 | | DRAWN BY KEVIN | DATE 18/JUN/13 | THIS DRAWING CONTAINS INFORMATION THAT IS PROPRIETARY TO TXGA INDUSTRIAL ELECTRONICS(S.Z)CO.,LTD AND SHOULD NOT BE USED WITHOUT WRITTEN PERMISSION | | REV 2 SHEET NO. 1/1 |

X-ON Electronics

Largest Supplier of Electrical and Electronic Components

Click to view similar products for [Modular Connectors](#) / [Ethernet Connectors](#) category:

Click to view products by [TXGA](#) manufacturer:

Other Similar products are found below :

[8949-H88/06BLKA/SN](#) [74441-0010/BKN](#) [PHP-6P6C-5](#) [GAX-3-66](#) [GAX-8-62](#) [GDCX-PN-66](#) [GLX-A-44](#) [GLX-N-1010M-BLK](#) [GMX-SMT4-N-88](#) [GSGX-N-2-88](#) [GSGX-N-4-88](#) [GSX-NS2-88-3.05](#) [GSX-NS-88-3.68](#) [PT-108A-8C-UL](#) [PTS-J531-8CS-50UL](#) [A-2014-0-4](#) [GWLX-S9-88-YG](#) [DC-1021-8-WH-6](#) [1300530003](#) [1324640-4](#) [RJ11FTVC2G](#) [RJ11FTVC2N](#) [RJFTVX2SA1G](#) [132764-001](#) [1413235](#) [MPS88RX-5000](#) [E5288-S000K3-L](#) [155302-001](#) [AX101050](#) [AX101063](#) [AX101065](#) [AX101072](#) [AX101307](#) [AX101314](#) [AX101315](#) [AX101318](#) [AX102271](#) [AX102288](#) [AX102651](#) [AX102660](#) [J0012D21NL](#) [J0026D01ENL](#) [PC4D0018P](#) [8949-B88/6](#) [2-6609208-5](#) [937-SP-3088-2PC-A192](#) [303066VFL](#) [303068V](#) [303088LFLSA](#) [303088SBL](#)