

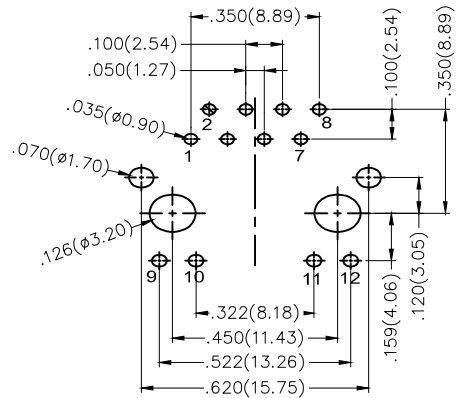
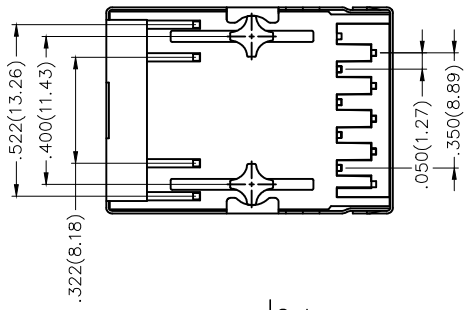
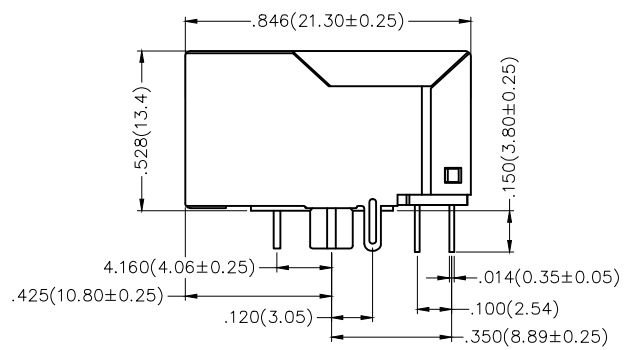
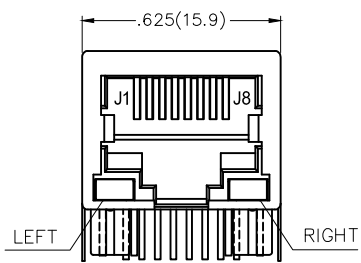
REV	LOCATIONS	DESCRIPTION	DATE	REVISER	APPD
1	△	Part No.: Change FRJ4599 into FRJ45094	24/MAY/19	KATE	FRANK



SPECIFICATIONS

Electrical
 Current Rating: 1.5A AC(rms)/DC
 Voltage Rating: 125V AC(rms)/DC
 Contact Resistance: 40 mΩ Max
 Insulation Resistance: 1000 MΩ Min / DC 500V
 Withstanding Voltage: 1000V AC r.m.s
 Operating Temperature: -20°C~+75°C

Material and Plating
 Housing: Thermoplastic UL94V-0, Black
 Contact: Phosphor Bronze/ Selective gold in contact area, tin on tail
 Shell: Brass/ Nickel Plated



Recommended P.C.Board Layout

Ordering Information

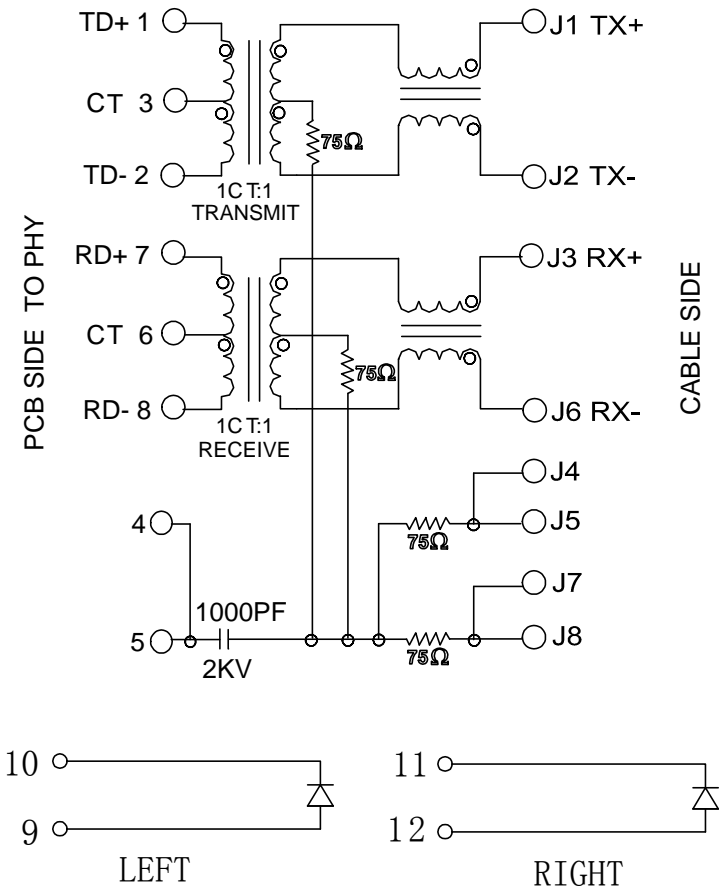
FRJ45 094 - 1 3 XX K6 K X 1 0 1
 1 2 3 4 5 6 7 8 9 10

1 Category FRJ45-RJ45 Connector	2 Distinction No. 094	3 Ports options 1-1 Port	4 Plating 3-Selective gold in contact area, tin on tail	5 Thickness of plating 00-Gold flash 06-6μ" Custom plate available
6 Color-Resin K6-Black	7 Packaging K-Tray	8 LED style 1-L: Yellow R: Green 2-L: Green R: Yellow	9 Contact type 1-Square pin	10 Pin circuits 1-100Base-T

THIRD ANGLE PROJECTION	GENERAL TOLERANCES (UNLESS SPECIFIED)		APPROVE BY FRANK	DATE 18/JUNL/15	PART NO. △ FRJ45094-13XXK6KX101	ITEM NO. FRJ45094	
	DESIGN UNITS Inch (metric)	X.±.012(0.30) X.±5' X.X±.008(0.20) X.±2' X.XX±.006(0.15) X.X±1' X.XXX±.004(0.10) X.XX±0.5'	CHECKED BY CHERRY	DATE 18/JUNL/15			
SCALE 5:1	SIZE A4		DRAWN BY KEVIN	DATE 18/JUNL/15	THIS DRAWING CONTAINS INFORMATION THAT IS PROPRIETARY TO TXGA INDUSTRIAL ELECTRONICS(S,Z)CO.,LTD AND SHOULD NOT BE USED WITHOUT WRITTEN PERMISSION		

REV	LOCATIONS	DESCRIPTION	DATE	REVISER	APPD

SCHEMATIC:



- ELECTRICAL SPECIFICATIONS (25°C)
- OCL: P(1-2)=P(3-6)=350 uH Min. @100KHz, 100mV, With 8mA DC Bias.
 - L.L: P(1-2)=P(3-6)=0.6uH Max. @100KHz, 100mV
 - Cw/w: 35PF Max. @100KHz, 100mV
 - Turn Ratio: P(1-2): J(1-2)=1CT: 1CT±3%
P(3-6): J(3-6)=1CT: 1CT±3%
 - DCR: 1.0Ω Max.
J(1-3): J(2-6)=J(4-7)=J(8-6)=150Ω
 - Polarity: P1&J1; P3&J3 In-Phase.
 - Insertion Loss: -1.0dB Max @1~100MHz
-16dB Min @40MHz
-12dB Min @50MHz
-10dB Min @60~800MHz
 - Return Loss: -18dB Min @1~30MHz
-16dB Min @40MHz
-12dB Min @50MHz
-10dB Min @60~800MHz
 - Cross Talk: -30dB Min @1~100MHz
 - CMR: -30dB Min @1~100MHz
 - Isolation HI-POT:
P(1-2-3-4-5-6) To J(1-2-3-6-4-5-7-8)
@1500V rms/ 1mA Max/ 2Sec.

<p>THIRD ANGLE PROJECTION</p>	GENERAL TOLERANCES (UNLESS SPECIFIED)		APPROVE BY	DATE	PART NO.	ITEM NO.	<p>Leader Of Industry</p>	
	X.±.012(0.30)	X.±5'	FRANK	18/JUNL/15	FRJ45094-13XXK6KX101	FRJ45094		
	DESIGN UNITS	X.X±.008(0.20)	X.±2'	CHECKED BY	DATE	TITLE		
	Inch (metric)	X.XX±.006(0.15)	.XX±1'	CHERRY	18/JUNL/15	RJ45 Connector 8P8C 90° Angle (100Base-T)		
SCALE	SIZE	X.XXX±.004(0.10)	.XXX±0.5'	DRAWN BY	DATE	THIS DRAWING CONTAINS INFORMATION THAT IS PROPRIETARY TO TXGA INDUSTRIAL ELECTRONICS(S.Z)CO.,LTD AND SHOULD NOT BE USED WITHOUT WRITTEN PERMISSION		
5:1	A4			KEVIN	18/JUNL/15	REV 1	SHEET NO. 2/2	

X-ON Electronics

Largest Supplier of Electrical and Electronic Components

Click to view similar products for [Modular Connectors](#) / [Ethernet Connectors](#) category:

Click to view products by [TXGA](#) manufacturer:

Other Similar products are found below :

[RJE231881317T](#) [MP1010RX-1000](#) [MP44RX-1000](#) [GAX-3-66](#) [GAX-8-62](#) [93606-0253](#) [GD-A-44](#) [GDCX-PA-66-50](#) [GDCX-PN-64](#) [GDCX-PN-66](#) [GDCX-PN-66-50](#) [GDLX-A-66](#) [GDLX-A-88](#) [GDLX-N-66](#) [GDLX-S-88K](#) [GDTX-S-88-50](#) [GDX-PA-1010](#) [GLX-N-1010M-BLK](#) [GLX-N-44M](#) [GLX-S-88M-BLK](#) [GMX-N-1010](#) [GMX-S-1010](#) [GMX-S-66](#) [GMX-SMT2-N-1010](#) [GMX-SMT2-N-64-50](#) [GMX-SMT2-S6-88](#) [GMX-SMT4-N-88](#) [GPX-2-64](#) [GRT1-BT1-5](#) [GSGX-N-2-88](#) [GSX-NS2-88-3.05](#) [GSX-NS2-88-3.05-50](#) [GSX-NS-88-3.05-30](#) [GSX-NS-88-3.05-50](#) [GSX-NS-88-3.68](#) [1-1775629-2](#) [GWLX-S-88-GR](#) [GWLX-S9-88-YG](#) [1300500326](#) [1300500227](#) [1300530003](#) [1300570002](#) [1324640-4](#) [RJ11FTVC2G](#) [RJ11FTVC2N](#) [RJFTVX2SA1G](#) [132764-001](#) [1400000](#) [1413176](#) [1413235](#)