

| REV | LOCATIONS | DESCRIPTION | DATE | REVISER | APPD |
|-----|-----------|-------------|------|---------|------|
|     |           |             |      |         |      |

**SPECIFICATIONS**

**Electrical**

Current Rating: 1.5A AC(rms)/DC  
 Voltage Rating: 125V AC(rms)/DC  
 Contact Resistance: 30 mΩ Max  
 Insulation Resistance: 500 MΩ Min / DC 500V  
 Withstanding Voltage: 1000V AC r.m.s  
 Operating Temperature: -40°C~+85°C

**Mechanical**

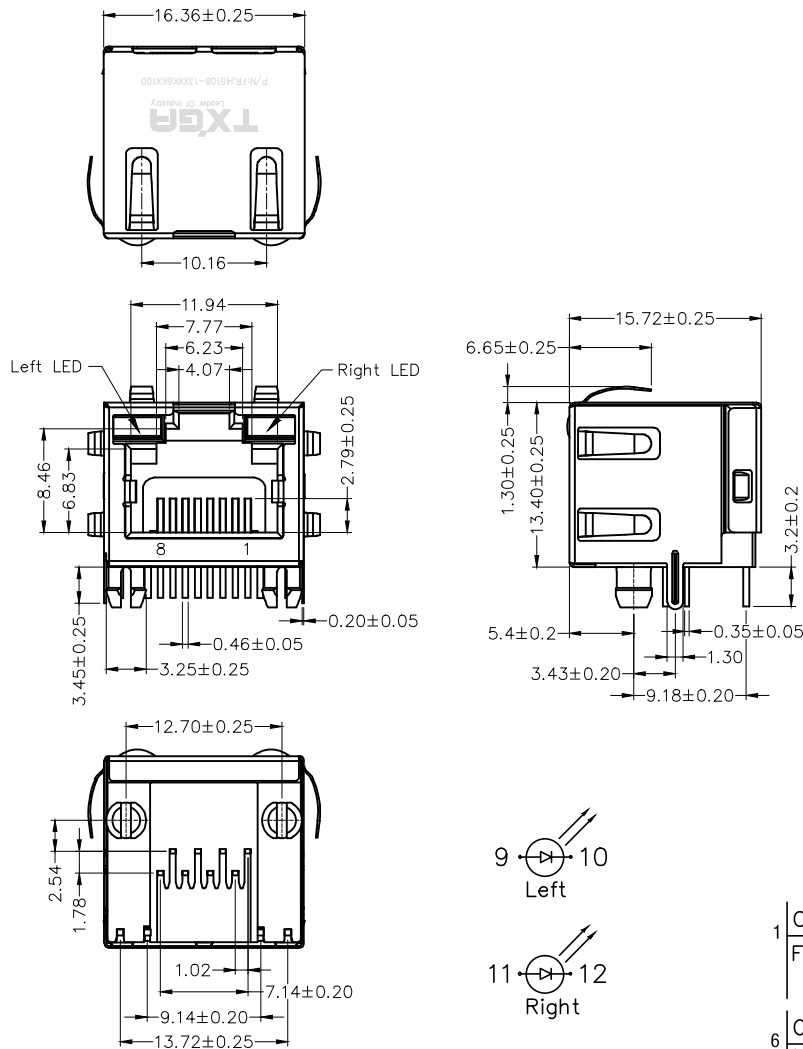
Durability: 750 cycles Min.

**Material and plating**

Housing: PA46 (UL 94V-0), Black  
 Contact: Phosphor Bronze/ Selective gold plated on contact area and bright tin plated on tails area  
 Shell: Brass/ Nickel plated

**LED Specification**

| Standard LED Color | LED Wavelength | Foward(A) | Foward(V) |
|--------------------|----------------|-----------|-----------|
| Green              | 568nm          | 20mA      | 1.8-2.8V  |
| Yellow             | 585nm          | 20mA      | 1.8-2.8V  |



Recommended P.C.Board Layout

Tolerances: ±0.05

**Ordering Information**

FRJ45 108 — 1 3 XX K6 K X 1 0 0  
 1 2 3 4 5 6 7 8 9

|                                    |                          |   |  |   |
|------------------------------------|--------------------------|---|--|---|
| 1 Category<br>FRJ45-RJ45 Connector | 2 Distinction No.<br>108 | 3 Ports options<br>1-1 Port                                 | 4 Plating<br>3-Selective gold plated on contact area and bright tin plated on tails area | 5 Thickness of plating<br>06-6μ"<br>30-30μ"<br>Custom plate available |
| 6 Color-Resin<br>K6-Black          | 7 Packaging<br>K-Tray    | 8 LED style<br>1-L: Yellow R: Green<br>2-L: Green R: Yellow | 9 Contact type<br>1-Square pin   |   |

|                               |                                       |             |                     |                      |                                  |  |                           |
|-------------------------------|---------------------------------------|-------------|---------------------|----------------------|----------------------------------|--|---------------------------|
| <p>THIRD ANGLE PROJECTION</p> | GENERAL TOLERANCES (UNLESS SPECIFIED) |             | APPROVE BY<br>FRANK | DATE<br>10/APR/20    | PART NO.<br>FRJ45108-13XXK6KX100 | ITEM NO.<br>FRJ45108   | <p>Leader Of Industry</p> |
|                               | DESIGN UNITS<br>Metric                | X. ±0.30    | X.* ±5'             | CHECKED BY<br>CHERRY | DATE<br>10/APR/20                | TITLE<br>RJ45 Connector 8P8C<br>90° Angle  |                           |
| SCALE<br>5:1                  | SIZE<br>A4                            | X.XX ±0.15  | X.XX' ±1'           | DRAWN BY<br>KATE     | DATE<br>10/APR/20                | THIS DRAWING CONTAINS INFORMATION THAT IS PROPRIETARY TO TXGA INDUSTRIAL ELECTRONICS(S.Z)CO.,LTD AND SHOULD NOT BE USED WITHOUT WRITTEN PERMISSION |                           |
|                               |                                       | X.XXX ±0.10 | X.XXX' ±0.5'        |                      |                                  | REV 0  | SHEET NO. 1/1             |

## X-ON Electronics

Largest Supplier of Electrical and Electronic Components

*Click to view similar products for [Modular Connectors](#) / [Ethernet Connectors](#) category:*

*Click to view products by [TXGA](#) manufacturer:*

Other Similar products are found below :

[8949-H88/06BLKA/SN](#) [74441-0010/BKN](#) [PHP-6P6C-5](#) [GAX-3-66](#) [GDCX-PN-66](#) [GLX-A-44](#) [GLX-N-1010M-BLK](#) [GLX-S-88M-BLK](#)  
[GMX-SMT4-N-88](#) [GSGX-N-2-88](#) [GSGX-N-4-88](#) [GSX-NS2-88-3.05](#) [GSX-NS-88-3.68](#) [PT-108A-8C-UL](#) [PTS-J531-8CS-50UL](#) [A-2014-0-4](#)  
[GWLX-S9-88-YG](#) [DC-1021-8-WH-6](#) [1300530003](#) [1324640-4](#) [132764-001](#) [1413235](#) [MPS88RX-5000](#) [E5288-S000K3-L](#) [155302-001](#)  
[AX101050](#) [AX101063](#) [AX101065](#) [AX101072](#) [AX101307](#) [AX101315](#) [AX101318](#) [AX102271](#) [AX102277](#) [AX102651](#) [AX102660](#) [AX104024](#)  
[203475](#) [PC4D0018P](#) [KIT38082NI](#) [8949-B88/6](#) [2-6609208-5](#) [30-8956](#) [30-8964-100](#) [SM85](#) [SM99S01VBNN04G7](#) [17-103540](#) [191587](#) [PDI-68-RV](#) [PHP-8P8C-S-5](#)