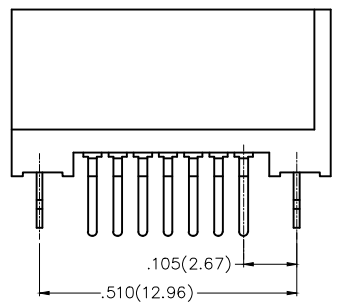
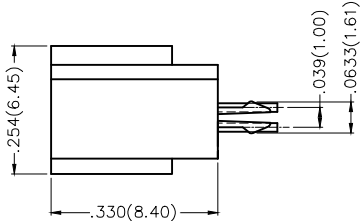
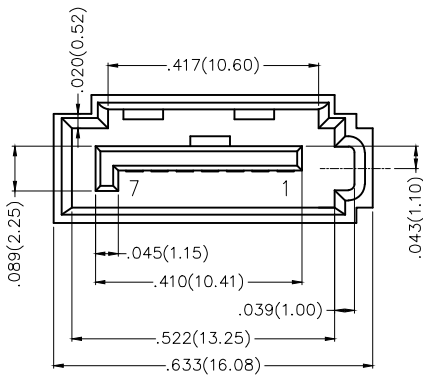
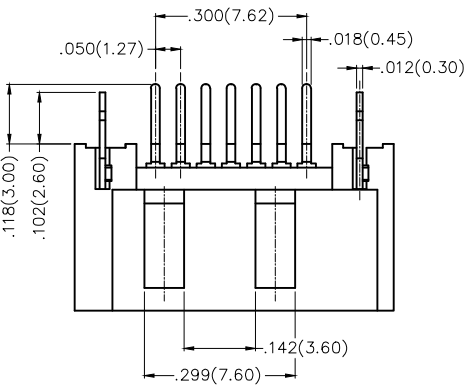


1 2 3 4 5 6 7 8

REV	LOCATIONS	DESCRIPTION	DATE	REVISER	APPD

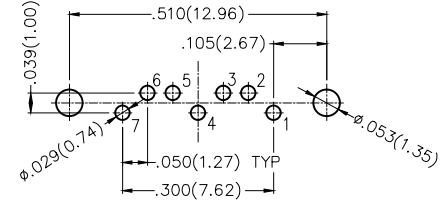
A
B
C
D
E
F



SPECIFICATIONS

Electrical
 Current Rating: 1.0A AC(rms)/DC
 Contact Resistance: 20 mΩ Max
 Insulation Resistance: 800 MΩ MIN
 Withstanding Voltage: 600V AC r.m.s
 Temperature Range—Operating: -40°C~+85°C

Material and Plating
 Housing: LCP+30%GF (UL 94V-0) Black
 Contact: Brass /Selective gold in contact area, tin on tail
 Board Lock: Brass /Tin Plated




Recommended P.C.Board Layout

Ordering Information

FST 07 05 — M D S 3 XX 3 K6 X
 1 2 3 4 5 6 7 8 9 10 11

1	Category FST-SATA	2	Circuits 07-7 Circuits	3	Distinction No. 05	4	Type M-Male	5	Assembly Layout D-DIP	6	Entry Angle S-180° Vertical
7	Plating 3-Selective gold in contact area, tin on tail	8	Thickness of Plating 00-Gold Flash 03-3μ" Custom plate available	9	Material-Resin 3-LCP	10	Color-Resin K6-Black	11	Packaging L-Tube K-Tray		

THIRD ANGLE PROJECTION	GENERAL TOLERANCES (UNLESS SPECIFIED)		APPROVE BY FRANK	DATE 01/JUL/13	PART NO. FST0705-MDS3XX3K6X	ITEM NO. FST0705	 Leader Of Industry
	DESIGN UNITS Inch (metric)	X.±.012(0.30) X.±5" X.X±.008(0.20) .X'±2'	CHECKED BY CHERRY	DATE 01/JUL/13	TITLE SATA Connector 7 Circuits Male (DIP)		
SCALE 5:1	SIZE A4	X.XX±.006(0.15) .XX'±1" X.XXX±.004(0.10) .XXX'±0.5'	DRAWN BY JACOB	DATE 01/JUL/13	THIS DRAWING CONTAINS INFORMATION THAT IS PROPRIETARY TO TXGA INDUSTRIAL ELECTRONICS(S.Z)CO.,LTD AND SHOULD NOT BE USED WITHOUT WRITTEN PERMISSION		

1 2 3 4 5 6 7 8

X-ON Electronics

Largest Supplier of Electrical and Electronic Components

Click to view similar products for [Standard Card Edge Connectors](#) category:

Click to view products by [TXGA](#) manufacturer:

Other Similar products are found below :

[CR7E-30DB-3.96E\(72\)](#) [6565204-6](#) [1437274-4](#) [EBT15622B2X](#) [1-582587-1](#) [284-0102-12100](#) [286-0052-12101A](#) [306022901000000](#) [307-012-502-202](#) [307-056-520-300](#) [A6D22DS29C2](#) [1926088-2](#) [287-0032-12101](#) [345-060-559-303](#) [392-008-559-201](#) [534671-1](#) [341-240-317](#) [345-044-500-300](#) [346-240-318](#) [387-012-523-300](#) [395-100-524-300](#) [09-07-2032](#) [10035388-802LF](#) [10115859-011LF](#) [10122859-009LF](#) [101269333204245CLF](#) [530555-1](#) [66925-516LF](#) [5145409-2](#) [73726-0005](#) [66308-1](#) [5036A30](#) [PEC-07-02-T-S-A](#) [346-014-520-801](#) [KSLX-62-BR](#) [307-048-502-202](#) [CE100F26-7-C](#) [CE100F28-3-D](#) [CE100F28-4-D](#) [CE156F18-9-C](#) [CE156F22-5-D](#) [CE156F22-9-C](#) [CT100F22-2-D](#) [CT100F22-3-D](#) [CT100F24-2-D](#) [CT100F24-3-D](#) [CT100F24-6-C](#) [CT156F22-4-D](#) [MLSS100-12-C](#) [MLSS100-16-C](#)