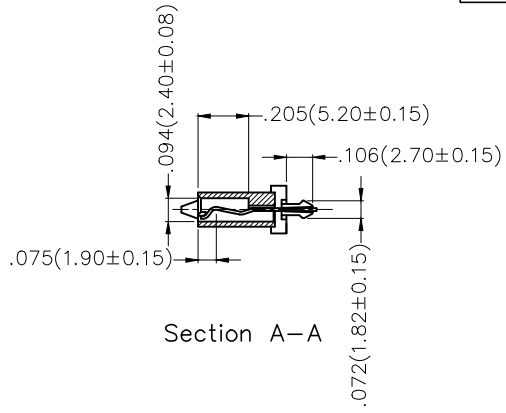
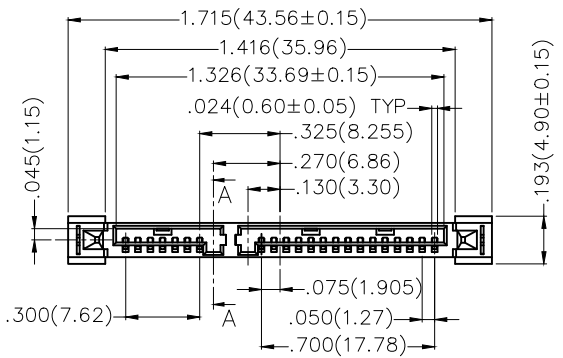


REV	LOCATIONS	DESCRIPTION	DATE	REVISER	APPD



**SPECIFICATIONS**

**Electrical**

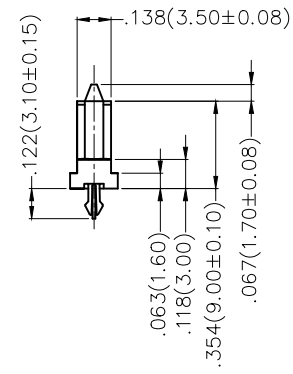
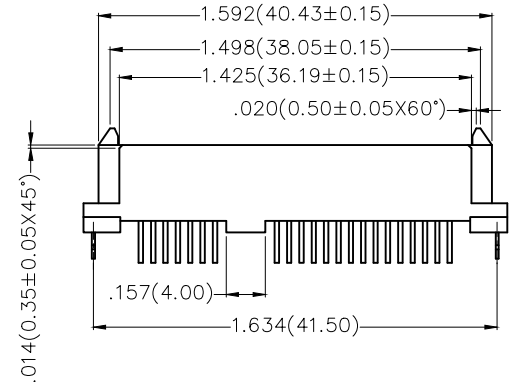
Current Rating: 1.0A AC(rms)/DC  
 Contact Resistance: 20 mΩ Max  
 Insulation Resistance: 800 MΩ MIN  
 Withstanding Voltage: 600V AC r.m.s  
 Operating Temperature: -40°C ~ +85°C

**Material and Plating**

Housing: LCP ( UL 94V-0) Black  
 Contact: Phosphor Bronze/Selective gold in Contact area, tin on tail.

PEG: Brass/Tin Plated

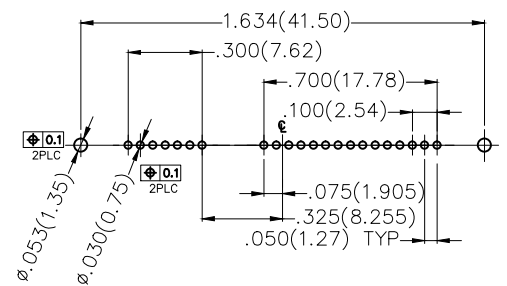
Section A-A




**Ordering Information**

FST 22 11 - F D S 3 XX 3 K6 X  
 1 2 3 4 5 6 7 8 9 10 11

1 Category FST-SATA	2 Circuits 22- 7+15Circuits	3 Distinction No. 11	4 Type F-Female	5 Assembly Layout D-DIP	6 Entry Angle S-180° Vertical
7 Plating 3-Selective gold in contact area, tin on tail	8 Thickness of Plating 00-Gold Flash 03-3μ" Custom plate available	9 Material-Resin 3-LCP	10 Color-Resin K6-Black	11 Packaging L-Tube K-Tray	



**Recommended P.C.Board Layout**  
 Tolerances: ±0.02(0.05)

THIRD ANGLE PROJECTION	GENERAL TOLERANCES (UNLESS SPECIFIED)		APPROVE BY FRANK	DATE 21/JUL/17	PART NO. FST2211-FDS3XX3K6X	ITEM NO. FST2211	 Leader Of Industry
	DESIGN UNITS Inch (metric)	X.±.012(0.30) X.±5'	CHECKED BY CHERRY	DATE 21/JUL/17	TITLE SATA Connector 7+15 Circuits Female (DIP)		
SCALE 5:1	SIZE A4	X.XX±.006(0.15) .XX±1'	DRAWN BY LXF	DATE 21/JUL/17	THIS DRAWING CONTAINS INFORMATION THAT IS PROPRIETARY TO TXGA INDUSTRIAL ELECTRONICS(S.Z)CO.,LTD AND SHOULD NOT BE USED WITHOUT WRITTEN PERMISSION		

## X-ON Electronics

Largest Supplier of Electrical and Electronic Components

*Click to view similar products for [Standard Card Edge Connectors](#) category:*

*Click to view products by [TXGA](#) manufacturer:*

Other Similar products are found below :

[CR7E-30DB-3.96E\(72\)](#) [6565204-6](#) [1437274-4](#) [EBT15622B2X](#) [1-582587-1](#) [284-0102-12100](#) [286-0052-12101A](#) [306022901000000](#) [307-012-502-202](#) [307-056-520-300](#) [A6D22DS29C2](#) [1926088-2](#) [287-0032-12101](#) [345-060-559-303](#) [392-008-559-201](#) [534671-1](#) [341-240-317](#) [345-044-500-300](#) [346-240-318](#) [387-012-523-300](#) [395-100-524-300](#) [09-07-2032](#) [10035388-802LF](#) [10115859-011LF](#) [10122859-009LF](#) [101269333204245CLF](#) [530555-1](#) [66925-516LF](#) [5145409-2](#) [73726-0005](#) [66308-1](#) [5036A30](#) [PEC-07-02-T-S-A](#) [346-014-520-801](#) [KSLX-62-BR](#) [307-048-502-202](#) [CE100F26-7-C](#) [CE100F28-3-D](#) [CE100F28-4-D](#) [CE156F18-9-C](#) [CE156F22-5-D](#) [CE156F22-9-C](#) [CT100F22-2-D](#) [CT100F22-3-D](#) [CT100F24-2-D](#) [CT100F24-3-D](#) [CT100F24-6-C](#) [CT156F22-4-D](#) [MLSS100-12-C](#) [MLSS100-16-C](#)