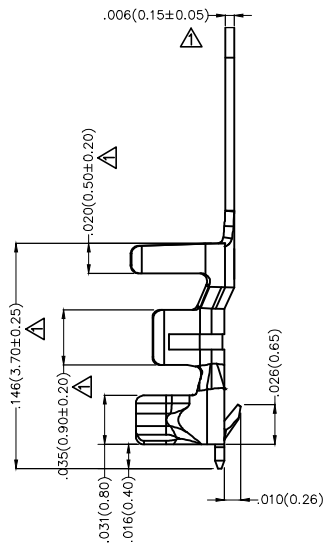
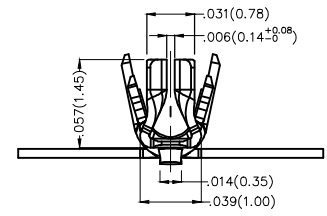
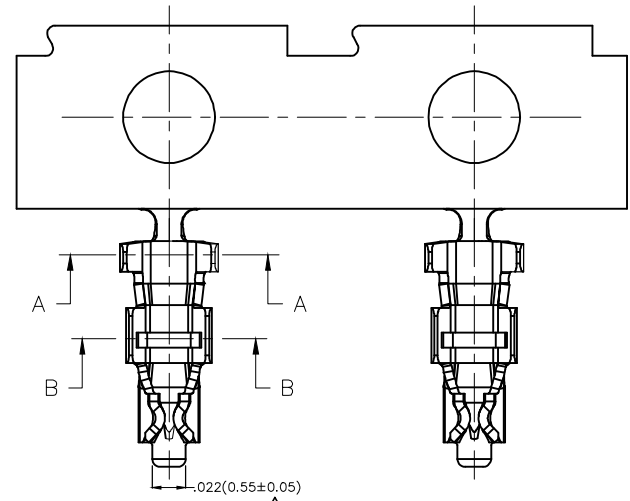
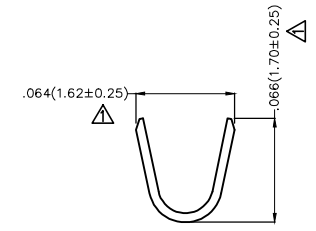


REV	LOCATIONS	DESCRIPTION	DATE	REVISER	APPD
1	△	Tolerances change	09/APR/20	KATE	CHERRY

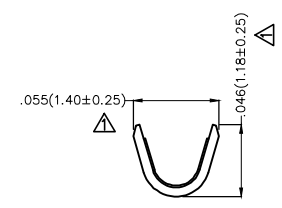


Notes:

- 1.Material:Phosphor Bronze C5191
- 2.Plating:Gold-Plated
- 3.Wire Range: 26AWG~30AWG
- 4.Insulation Nom.Dia: $\phi.026''$ ($\phi 0.65\text{mm}$)~ $\phi.035''$ ($\phi 0.9\text{mm}$)
- 5.Applicable Housing:FHG12505 Series
- 6.Minimum Order Quantity :15,000 PCS



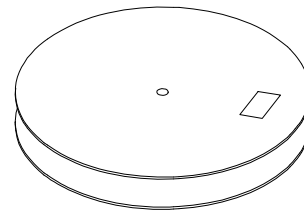
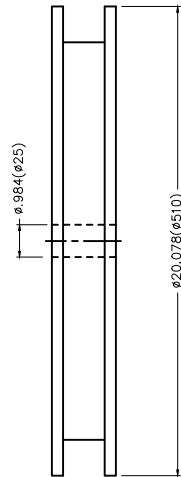
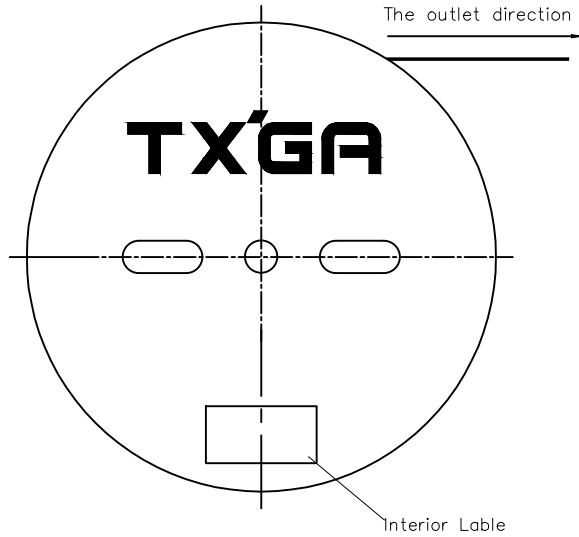
Section A-A



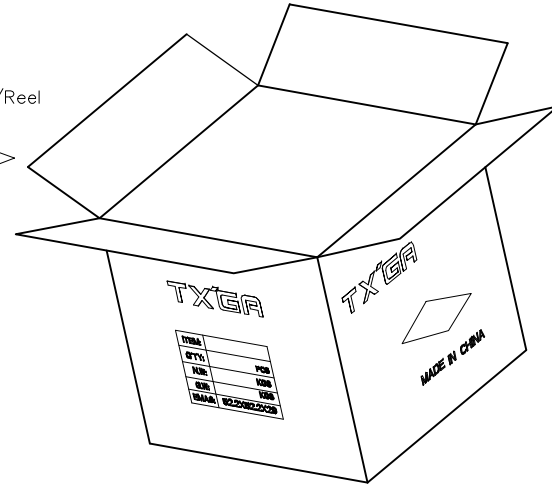
Section B-B

 THIRD ANGLE PROJECTION	GENERAL TOLERANCES (UNLESS SPECIFIED)		APPROVE BY	DATE	PART NO.	ITEM NO.	 Leader Of Industry	
	X.±.012(0.30)	X.'±5'	FRANK	25/JUN/13	FT12504-F1H	FT12504		
	DESIGN UNITS Inch (metric)	X.X±.008(0.20)	X.'±2'	CHECKED BY	DATE	TITLE		REV 1 SHEET NO. 1/2
	SCALE	X.XX±.006(0.15)	X.'±1'	JACOB	25/JUN/13	Wire to Board Pitch 1.25mm(Terminal)		
SIZE	X.XXX±.004(0.10)	.XX'±0.5'	DRAWN BY	DATE	THIS DRAWING CONTAINS INFORMATION THAT IS PROPRIETARY TO TXGA INDUSTRIAL ELECTRONICS(S.Z)CO.,LTD AND SHOULD NOT BE USED WITHOUT WRITTEN PERMISSION			
5:1	A4		CHERRY	25/JUN/13				

REV	LOCATIONS	DESCRIPTION	DATE	REVISER	APPD



15,000 Pcs/Reel



<p>THIRD ANGLE PROJECTION</p>	GENERAL TOLERANCES (UNLESS SPECIFIED)		APPROVE BY	DATE	PART NO.	ITEM NO.	<p>Leader Of Industry</p>	
	X.±.012(0.30)	X.'±5'	FRANK	25/JUN/13	FT12504-F1H	FT12504		
	DESIGN UNITS Inch (metric)	X.X±.008(0.20)	.X'±2'	CHECKED BY	DATE	TITLE		<p>REV 1</p> <p>SHEET NO. 2/2</p>
	SCALE	X.XX±.006(0.15)	.XX'±1'	JACOB	25/JUN/13	Wire to Board Pitch 1.25mm(Terminal)		
5:1	X.XXX±.004(0.10)	.XXX'±0.5'	DRAWN BY	DATE	THIS DRAWING CONTAINS INFORMATION THAT IS PROPRIETARY TO TXGA INDUSTRIAL ELECTRONICS(S.Z)CO.,LTD AND SHOULD NOT BE USED WITHOUT WRITTEN PERMISSION			
SIZE			CHERRY	25/JUN/13				
A4								

X-ON Electronics

Largest Supplier of Electrical and Electronic Components

Click to view similar products for [Terminals](#) category:

Click to view products by [TXGA](#) manufacturer:

Other Similar products are found below :

[00-054007-01074-6](#) [00-054007-70206-1](#) [00-054007-70210-8](#) [00-054007-70217-7](#) [00-054007-70228-3](#) [00-054007-70256-6](#) [00-054007-70316-7](#) [00-054007-49560-4](#) [00-054007-70209-2](#) [00-054007-70231-3](#) [00-054007-70241-2](#) [00-054007-70242-9](#) [00-054007-70246-7](#) [00-054007-70263-4](#) [00-054007-70288-7](#) [00-054007-70290-0](#) [00-054007-70300-6](#) [00-054007-70304-4](#) [01-2900-1-04412](#) [00581P0075](#) [600TS-10](#) [605601-1](#) [60598-1-CUT-TAPE](#) [60617-1-C](#) [61314-6-C](#) [61810-3](#) [626-0194](#) [63-S](#) [M55155/079C01](#) [M55155/099B03](#) [M55155/099H02](#) [M55155/109H01](#) [M55155/12XH05](#) [M55155/29-5S](#) [M55155/29XJ08](#) [M55155/30-6S](#) [M55155/30-9S](#) [M55155/30XI09](#) [M6-14RSX](#) [696683-1](#) [696861-1](#) [696999-1](#) [M86700006](#) [D18-110B-C](#) [D18-110B-M](#) [701-1936](#) [701-1955](#) [701-2003](#) [701-2007](#) [701-2013](#)