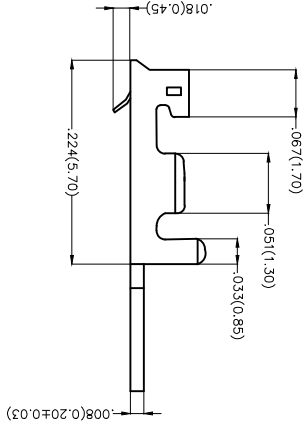
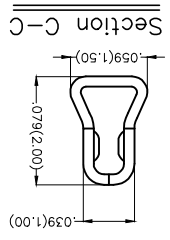
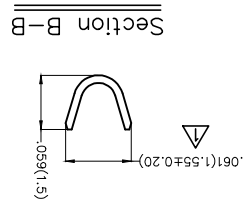
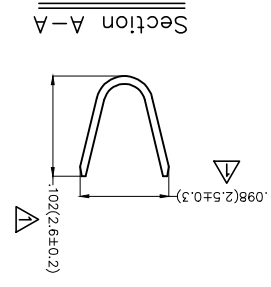
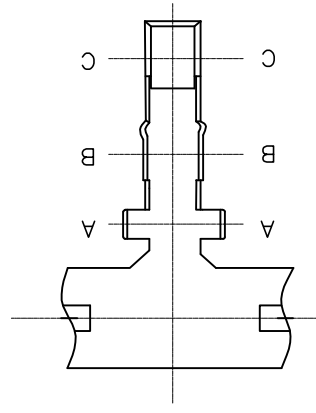


REV	LOCATIONS	DESCRIPTION	DATE	REVISER	APPD
1	▽	Dimensions change	25/DEC/18	KATE	FRANK

Electrical

Current Rating: 2.0A AC/DC
Voltage Rating: 100V AC/DC
Contact Resistance: 10mΩ Max
Withstanding Voltage: 800V AC/minute
Material: Phosphor Bronze C5191
Plating: Tin-Plated
Wire Range: 30AWG~24AWG
Insulation Nom.Dia: $\phi.035$ "($\phi.9mm$)~ $\phi.055$ "($\phi.14mm$)
Applicable Housing: FHG20001Series
Minimum Order Quantity: 11,000 PCS

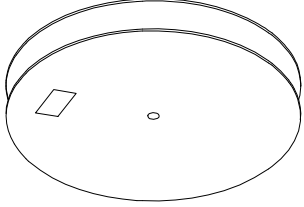
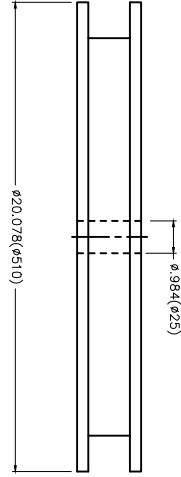
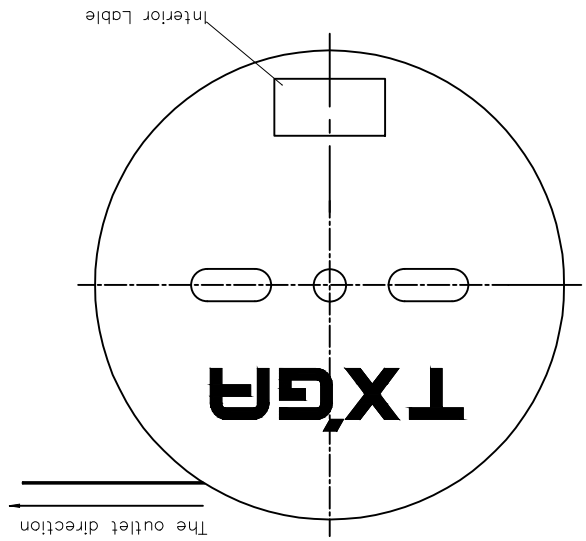


THIRD ANGLE PROJECTION		GENERAL TOLERANCES (UNLESS SPECIFIED)	APPROVE BY	DATE	PART NO.	ITEM NO.
		X.±.012(0.30)	FRANK	25/JUN/13	FT20001-F2H	FT20001
DESIGN UNITS Inch (metric)		X.X±.008(0.20)	CHECKED BY	DATE	TITLE	
SCALE 5:1		X.X±.006(0.15)	JACOB	25/JUN/13	Wire to Board	
SIZE A4		X.XX±.004(0.10)	DRAWN BY	DATE	Pitch 2.0mm(Terminal)	
		X.XX±0.5	CHERRY	25/JUN/13	REV 1	
					SHEET NO. 1/2	

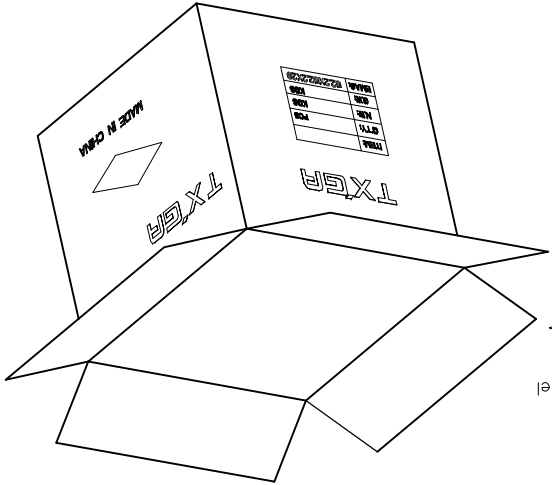
TXGA
Leader Of Industry

THIS DRAWING CONTAINS INFORMATION THAT IS PROPRIETARY TO TXGA INDUSTRIAL ELECTRONICS(Z)CO.,LTD AND SHOULD NOT BE USED WITHOUT WRITTEN PERMISSION

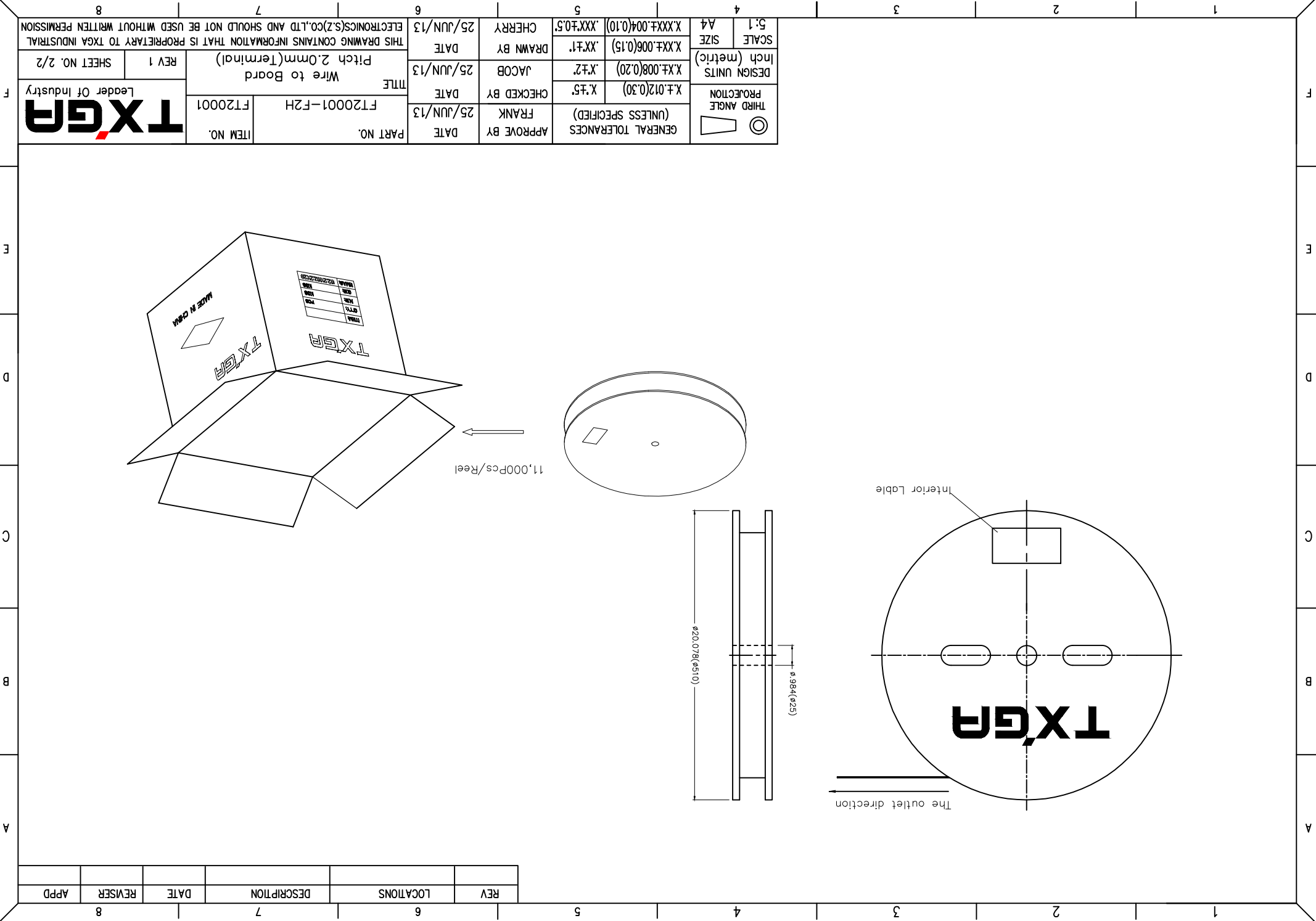
REV	LOCATIONS	DESCRIPTION	DATE	REVISER	APPD



11,000Pcs/Reel



THIRD ANGLE PROJECTION	DESIGN UNITS	X.±.012(0.30)	X.±.5	DATE	25/JUN/13	APPROVE BY	FRANK	DATE	25/JUN/13	PART NO.	FT20001-F2H	ITEM NO.	FT20001
	Inch (metric)	X.X±.008(0.20)	X.±.2	CHECKED BY	JACOB	(UNLESS SPECIFIED)		DATE	25/JUN/13	TITLE	Wire to Board	REV 1	SHEET NO. 2/2
SCALE	SIZE	X.XX±.006(0.15)	X.X±.1	DRAWN BY	CHEERRY	GENERAL TOLERANCES	(UNLESS SPECIFIED)	DATE	25/JUN/13	THIS DRAWING CONTAINS INFORMATION THAT IS PROPRIETARY TO TXGA INDUSTRIAL ELECTRONICS(Z)CO.,LTD AND SHOULD NOT BE USED WITHOUT WRITTEN PERMISSION			
5:1	A4	X.XX±.004(0.10)	X.XX±.0.5										



X-ON Electronics

Largest Supplier of Electrical and Electronic Components

Click to view similar products for [Terminals](#) category:

Click to view products by [TXGA](#) manufacturer:

Other Similar products are found below :

[HT-13-10](#) [71M-250-32-NB](#) [01-2065-1-0216](#) [00581P0075](#) [M10-10RX](#) [M10BCK](#) [60205-1](#) [604200-1](#) [60598-1-CUT-TAPE](#) [60617-1-C](#) [60873-1](#) [M14-516R/SK](#) [M14-6RSX](#) [M18-10FLX](#) [M18-8FBX](#) [M18-8R/LX](#) [M18BCK](#) [61314-6-C](#) [61-S](#) [61-SN-A](#) [62-NBM-A](#) [63-S](#) [640179-1](#) [640917-2-CUT-TAPE](#) [6501550002](#) [66107-2-C](#) [66107-4-C](#) [696683-1](#) [696834-1](#) [696861-1](#) [696931-1](#) [696999-1](#) [M8-516RK](#) [M86700006](#) [MA250DMFMX-A](#) [701-2007](#) [701-2307](#) [701-7761-03](#) [70F-110-32-PB](#) [718-N-A](#) [71M-187-20-NBL](#) [71M-250-32-NBL](#) [72F-187-20-NBL](#) [72M-250-32-NBL](#) [7310](#) [73F-250-32](#) [73F-250-32-NBL](#) [73F-250-32-NL](#) [F14-10C](#) [F-1M](#)