

REV	LOCATIONS	DESCRIPTION	DATE	REVISER	APPD
1		Update the size tolerance	29/JANE/15	KEVIN	CHERRY
2		Update the size	12/DEC/17	CHERRY	JACOB

Electrical

Material: Phosphor Bronze C5191

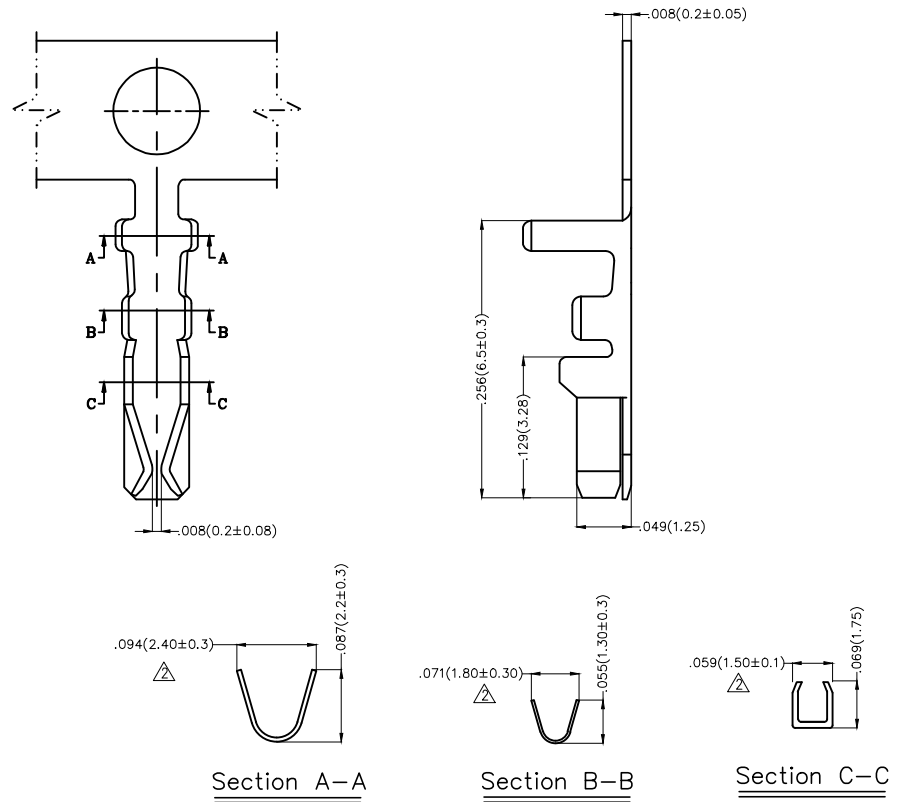
Plating: Tin-Plated

Wire Range: 30AWG~22AWG

Insulation Nom. Dia: ϕ .063" (ϕ 1.60mm Max)

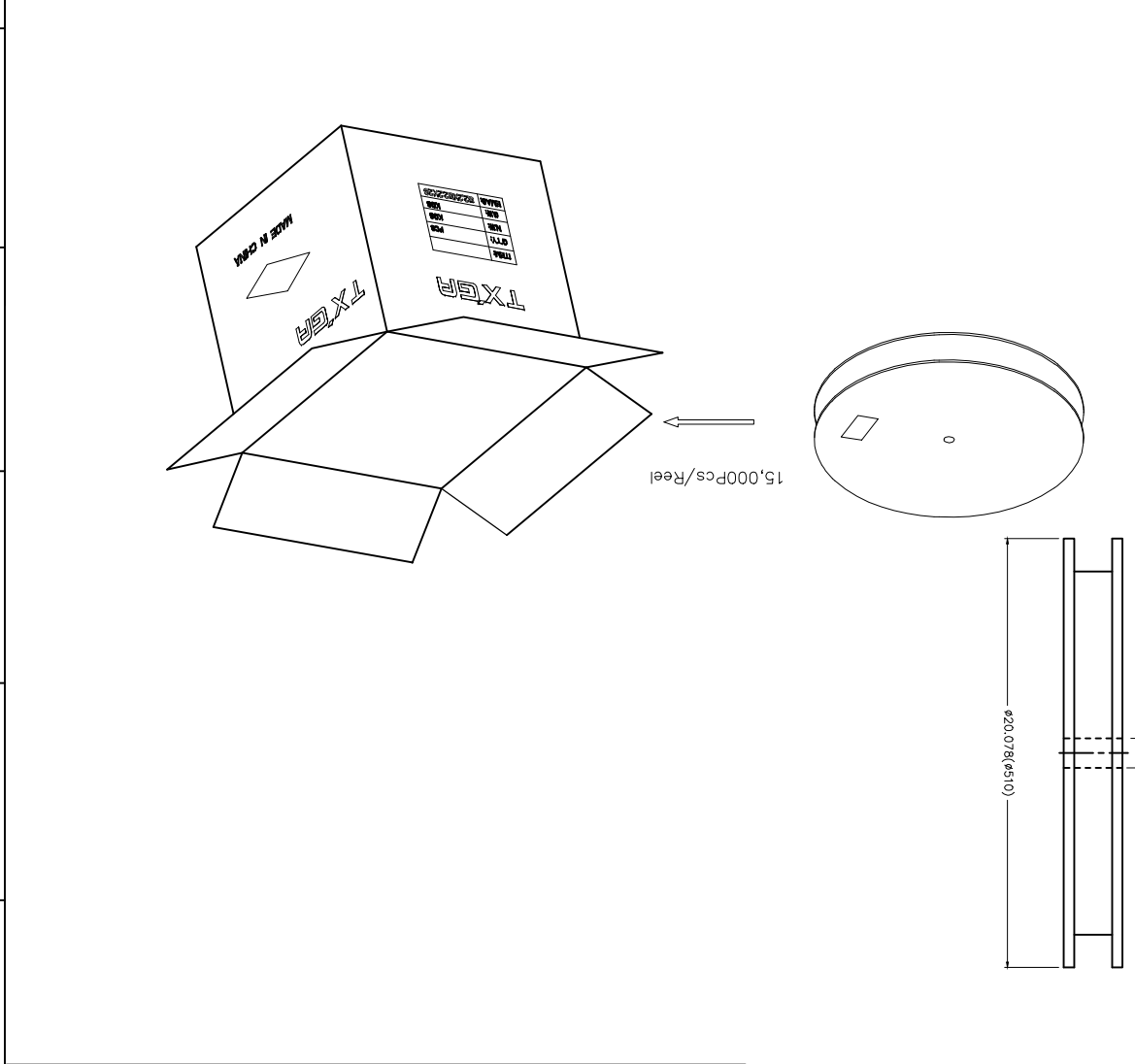
Applicable Housing: FHG20005Series

Minimum Order Quantity : 15,000 PCS

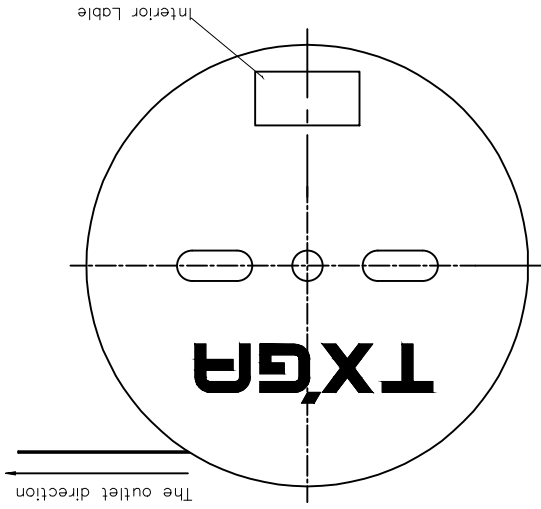


 THIRD ANGLE PROJECTION	GENERAL TOLERANCES (UNLESS SPECIFIED)		APPROVE BY FRANK	DATE 25/JUN/13	PART NO. FT20004-F2H	ITEM NO. FT20004	 Leader Of Industry	
	DESIGN UNITS Inch (metric)	X. \pm .012(0.30)	X. \pm 5'	CHECKED BY CHERRY	DATE 25/JUN/13	TITLE Wire to Board Pitch 2.0mm(Terminal)		REV 2
SCALE 5:1	SIZE A4	X.XX \pm .006(0.15)	X.XX \pm 1'	DRAWN BY JACOB	DATE 25/JUN/13	THIS DRAWING CONTAINS INFORMATION THAT IS PROPRIETARY TO TXGA INDUSTRIAL ELECTRONICS(S.Z)CO.,LTD AND SHOULD NOT BE USED WITHOUT WRITTEN PERMISSION		

SCALE		5:1		A4		X.XXX±.004(0.10)		.XXX±0.5'		JACOB		25/JUN/13		ELECTRONICS(Z)CO.,LTD AND SHOULD NOT BE USED WITHOUT WRITTEN PERMISSION	
DESIGN UNITS		Inch (metric)		X.XX±.006(0.15)		.XX±1'		DRAWN BY		DATE		25/JUN/13		THIS DRAWING CONTAINS INFORMATION THAT IS PROPRIETARY TO TXGA INDUSTRIAL	
THIRD ANGLE PROJECTION		X.X±.012(0.30)		X.X±.2'		X.XX±.008(0.20)		CHECKED BY		DATE		25/JUN/13		Wire to Board Pitch 2.0mm(Terminal)	
GENERAL TOLERANCES (UNLESS SPECIFIED)		FRANK		DATE		25/JUN/13		APPROVE BY		PART NO.		FT20004-F2H		ITEM NO.	
TXGA		Leader Of Industry		REV 2		SHEET NO. 2/2		DATE		25/JUN/13		DATE		25/JUN/13	



REV	LOCATIONS	DESCRIPTION	DATE	REVISER	APPD



X-ON Electronics

Largest Supplier of Electrical and Electronic Components

Click to view similar products for [Terminals](#) category:

Click to view products by [TXGA](#) manufacturer:

Other Similar products are found below :

[HT-13-10](#) [71M-250-32-NB](#) [01-2065-1-0216](#) [00581P0075](#) [M10-10RX](#) [M10BCK](#) [60205-1](#) [604200-1](#) [60598-1-CUT-TAPE](#) [60617-1-C](#) [60873-1](#) [M14-516R/SK](#) [M14-6RSX](#) [M18-10FLX](#) [M18-8FBX](#) [M18-8R/LX](#) [M18BCK](#) [61314-6-C](#) [61-S](#) [61-SN-A](#) [62-NBM-A](#) [63-S](#) [640179-1](#) [640917-2-CUT-TAPE](#) [6501550002](#) [66107-2-C](#) [66107-4-C](#) [696683-1](#) [696834-1](#) [696861-1](#) [696931-1](#) [696999-1](#) [M8-516RK](#) [M86700006](#) [MA250DMFMX-A](#) [701-2007](#) [701-2307](#) [701-7761-03](#) [70F-110-32-PB](#) [718-N-A](#) [71M-187-20-NBL](#) [71M-250-32-NBL](#) [72F-187-20-NBL](#) [72M-250-32-NBL](#) [7310](#) [73F-250-32](#) [73F-250-32-NBL](#) [73F-250-32-NL](#) [F14-10C](#) [F-1M](#)