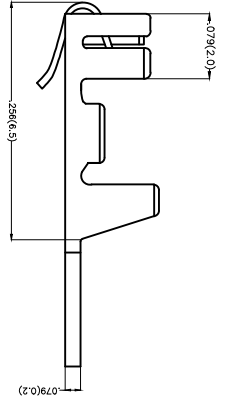
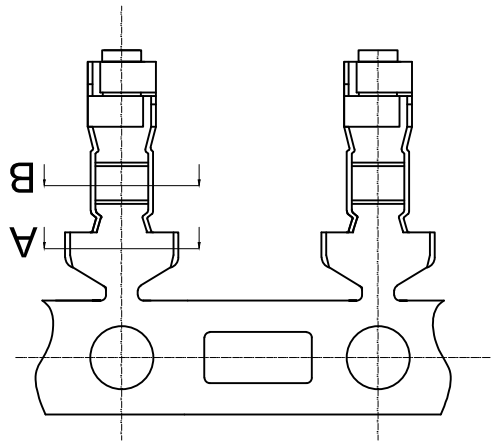
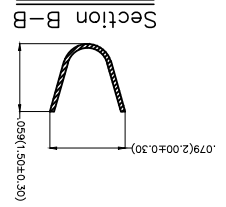
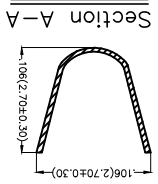
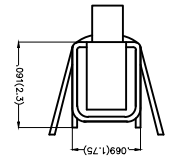


SCALE		5:1		A4		X.XX±.004(0.10)		.XXX±0.5		CHERRY		25/JUN/13		ELECTRONICS(Z)CO.,LTD AND SHOULD NOT BE USED WITHOUT WRITTEN PERMISSION	
DESIGN UNITS		Inch (metric)		X.XX±.008(0.20)		.X±.2		JACOB		25/JUN/13		DATE		THIS DRAWING CONTAINS INFORMATION THAT IS PROPRIETARY TO TXGA INDUSTRIAL	
THIRD ANGLE PROJECTION		X±.012(0.30)		X±.5		X±.5		CHECKED BY		25/JUN/13		DATE		F	
GENERAL TOLERANCES (UNLESS SPECIFIED)		FRANK		25/JUN/13		DATE		APPROVE BY		PART NO.		ITEM NO.		Leader Of Industry	
		FT25001-F2H		FT25001		TITLE		Wire to Board		Pitch 2.5 mm(Terminal)		REV 0		SHEET NO. 1/2	



Electrical
 Material: Phosphor Bronze
 Plating: Tin-Plated
 Wire Range: 30AWG~22AWG
 Applicable Housing: FHG25001Series

REV	LOCATIONS	DESCRIPTION	DATE	REVISER	APPD

REV	LOCATIONS	DESCRIPTION	DATE	REVISER	APPD

8

A

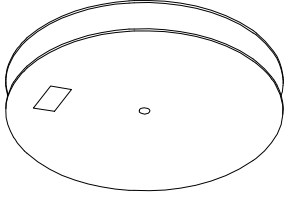
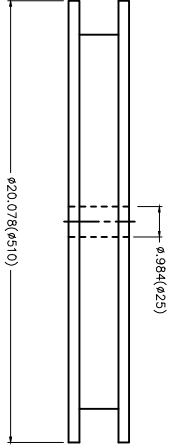
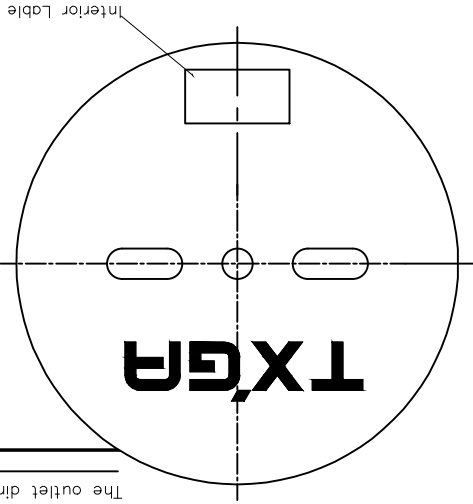
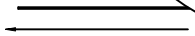
B

C

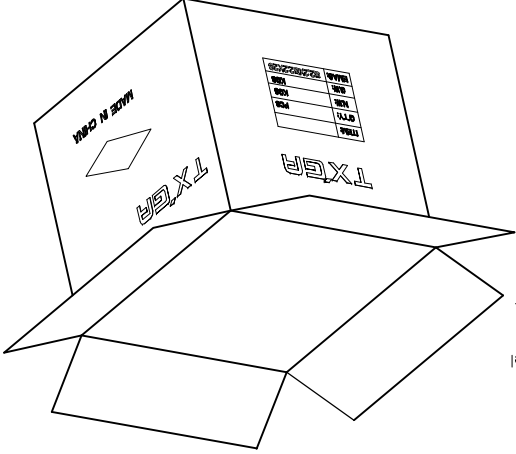
D

E

The outlet direction



8,500Pcs/Reel



APPROVE BY	FRANK	DATE	25/JUN/13	GENERAL TOLERANCES (UNLESS SPECIFIED)	THIRD ANGLE PROJECTION	DESIGN UNITS Inch (metric)	SCALE 5:1 A4		
CHECKED BY	JACOB	DATE	25/JUN/13	X.±.012(0.30) X.±.008(0.20) X.±.006(0.15) X.±.004(0.10)	DRAWN BY	CHERRY	DATE	25/JUN/13	
DATE	25/JUN/13	PART NO.	FT25001-F2H	ITEM NO.	FT25001	TITLE	Wire to Board Pitch 2.50mm(Terminal)	REV 0	SHEET NO. 2/2

TXGA
Leader Of Industry

THIS DRAWING CONTAINS INFORMATION THAT IS PROPRIETARY TO TXGA INDUSTRIAL ELECTRONICS(SZ)CO.,LTD AND SHOULD NOT BE USED WITHOUT WRITTEN PERMISSION

A

B

C

D

E

F

1

2

3

4

5

6

7

8

X-ON Electronics

Largest Supplier of Electrical and Electronic Components

Click to view similar products for [Terminals](#) category:

Click to view products by [TXGA](#) manufacturer:

Other Similar products are found below :

[HT-13-10](#) [71M-250-32-NB](#) [01-2065-1-0216](#) [00581P0075](#) [M10-10RX](#) [M10BCK](#) [60205-1](#) [604200-1](#) [60598-1-CUT-TAPE](#) [60617-1-C](#) [60873-1](#) [M14-516R/SK](#) [M14-6RSX](#) [M18-10FLX](#) [M18-8FBX](#) [M18-8R/LX](#) [M18BCK](#) [61314-6-C](#) [61-S](#) [61-SN-A](#) [62-NBM-A](#) [63-S](#) [640179-1](#) [640917-2-CUT-TAPE](#) [6501550002](#) [66107-2-C](#) [66107-4-C](#) [696683-1](#) [696834-1](#) [696861-1](#) [696931-1](#) [696999-1](#) [M8-516RK](#) [M86700006](#) [MA250DMFMX-A](#) [701-2007](#) [701-2307](#) [701-7761-03](#) [70F-110-32-PB](#) [718-N-A](#) [71M-187-20-NBL](#) [71M-250-32-NBL](#) [72F-187-20-NBL](#) [72M-250-32-NBL](#) [7310](#) [73F-250-32](#) [73F-250-32-NBL](#) [73F-250-32-NL](#) [F14-10C](#) [F-1M](#)