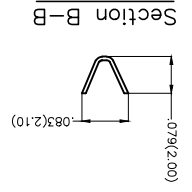
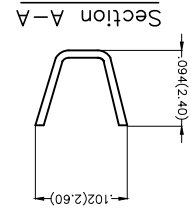
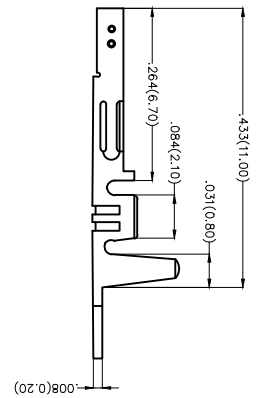
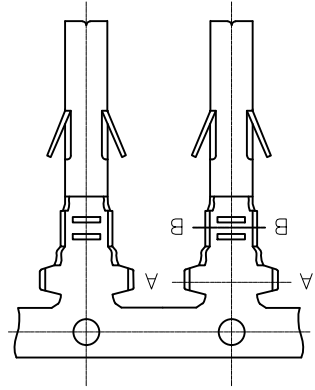


REV	LOCATIONS	DESCRIPTION	DATE	REVISER	APPD

Electrical  
 Material: Phosphor Bronze  
 Plating: Tin-Plated  
 Wire Range: 24AWG~20AWG  
 Applicable Housing: FHG30001 Series  
 Minimum Order Quantity: 12,000 PCS



THIRD ANGLE	PROJECTION	DESIGN UNITS	SCALE
		Inch (metric)	5:1
		X.±.008(0.20)	A4
		X.±.006(0.15)	SIZE
		X.±.004(0.10)	5:1

GENERAL TOLERANCES (UNLESS SPECIFIED)	APPROVE BY	DATE	PART NO.	ITEM NO.
X.±.012(0.30)	FRANK	25/JUN/13	FT30001-F2H	FT30001
X.±.5	CHECKED BY	DATE	TITLE	
X.±.2	JACOB	25/JUN/13	Wire to Board	
X.±.1	DRAWN BY	DATE	Pitch 3.0mm(Terminal)	
X.±.05	CHEERY	25/JUN/13		

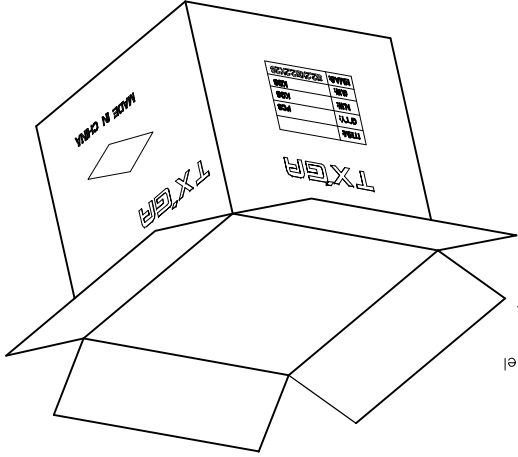
THIS DRAWING CONTAINS INFORMATION THAT IS PROPRIETARY TO TXGA INDUSTRIAL ELECTRONICS(SZ)CO.,LTD AND SHOULD NOT BE USED WITHOUT WRITTEN PERMISSION

REV 0 SHEET NO. 1/2

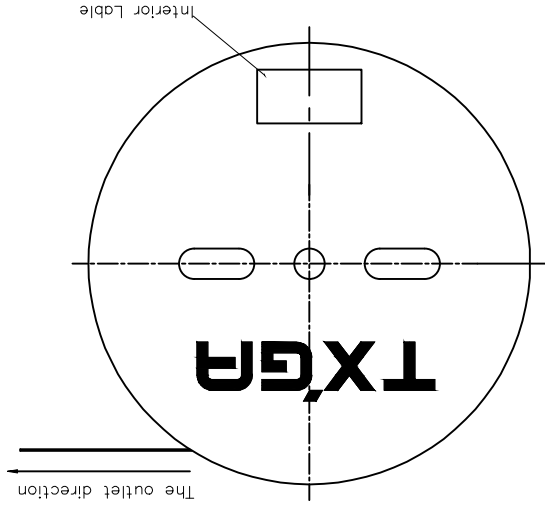
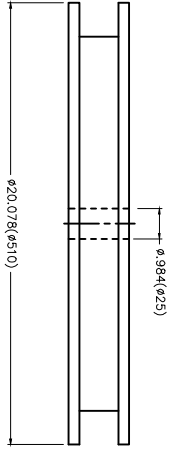
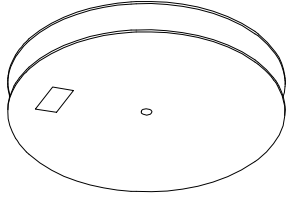
Leader Of Industry

**TXGA**

SCALE		5:1		A4		X.XX±.004(0.10)		.XXX±0.5'		CHERRY		25/JUN/13		ELECTRONICS(Z)CO.,LTD AND SHOULD NOT BE USED WITHOUT WRITTEN PERMISSION	
DESIGN UNITS		Inch (metric)		X.XX±.008(0.20)		.X±.2'		JACOB		25/JUN/13		DATE		THIS DRAWING CONTAINS INFORMATION THAT IS PROPRIETARY TO TXGA INDUSTRIAL	
THIRD ANGLE PROJECTION		X.±.012(0.30)		X.±.5'		CHECKED BY		FRANK		25/JUN/13		DATE		THIS DRAWING CONTAINS INFORMATION THAT IS PROPRIETARY TO TXGA INDUSTRIAL	
GENERAL TOLERANCES (UNLESS SPECIFIED)						APPROVE BY				PART NO.		FT30001-F2H		THIS DRAWING CONTAINS INFORMATION THAT IS PROPRIETARY TO TXGA INDUSTRIAL	
										ITEM NO.		FT30001		THIS DRAWING CONTAINS INFORMATION THAT IS PROPRIETARY TO TXGA INDUSTRIAL	
										TITLE		Wire to Board		THIS DRAWING CONTAINS INFORMATION THAT IS PROPRIETARY TO TXGA INDUSTRIAL	
										DRAWN BY		JACOB		THIS DRAWING CONTAINS INFORMATION THAT IS PROPRIETARY TO TXGA INDUSTRIAL	
										DATE		25/JUN/13		THIS DRAWING CONTAINS INFORMATION THAT IS PROPRIETARY TO TXGA INDUSTRIAL	
										PITCH		3.0mm(Terminal)		THIS DRAWING CONTAINS INFORMATION THAT IS PROPRIETARY TO TXGA INDUSTRIAL	
										REV		0		THIS DRAWING CONTAINS INFORMATION THAT IS PROPRIETARY TO TXGA INDUSTRIAL	
										SHEET NO.		2/2		THIS DRAWING CONTAINS INFORMATION THAT IS PROPRIETARY TO TXGA INDUSTRIAL	



12,000Pcs/Reel



REV	LOCATIONS	DESCRIPTION	DATE	REVISER	APPD

1 2 3 4 5 6 7 8

A B C D E F

## X-ON Electronics

Largest Supplier of Electrical and Electronic Components

*Click to view similar products for [Terminals](#) category:*

*Click to view products by [TXGA](#) manufacturer:*

Other Similar products are found below :

[HT-13-10](#) [71M-250-32-NB](#) [01-2065-1-0216](#) [00581P0075](#) [M10-10RX](#) [M10BCK](#) [60205-1](#) [604200-1](#) [60598-1-CUT-TAPE](#) [60617-1-C](#) [60873-1](#) [M14-516R/SK](#) [M14-6RSX](#) [M18-10FLX](#) [M18-8FBX](#) [M18-8R/LX](#) [M18BCK](#) [61314-6-C](#) [61-S](#) [61-SN-A](#) [62149-1](#) [62-NBM-A](#) [63-S](#) [640179-1](#) [640917-2-CUT-TAPE](#) [6501550002](#) [66107-2-C](#) [66107-4-C](#) [696683-1](#) [696834-1](#) [696861-1](#) [696931-1](#) [696999-1](#) [M8-516RK](#) [M86700006](#) [MA250DMFMX-A](#) [701-2007](#) [701-2307](#) [701-7761-03](#) [70F-110-32-PB](#) [718-N-A](#) [71M-187-20-NBL](#) [71M-250-32-NBL](#) [72F-187-20-NBL](#) [72M-250-32-NBL](#) [7310](#) [73F-250-32](#) [73F-250-32-NBL](#) [73F-250-32-NL](#) [F-1M](#)