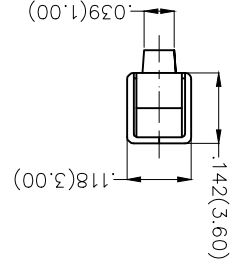
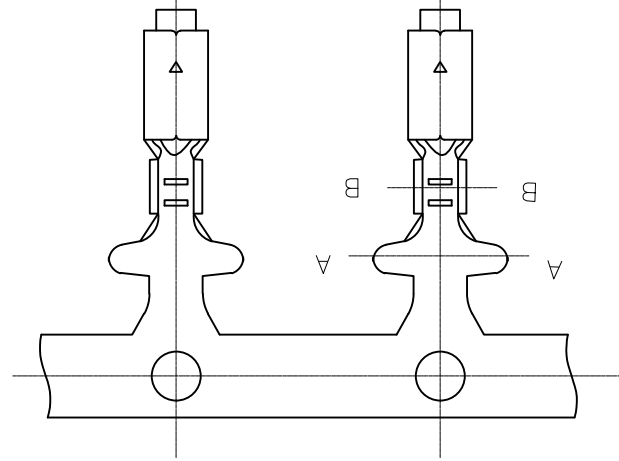
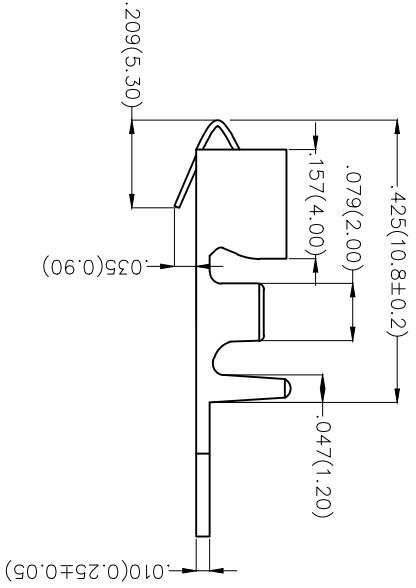
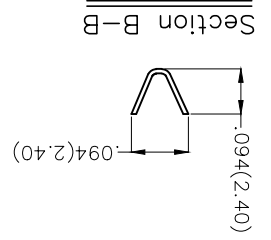
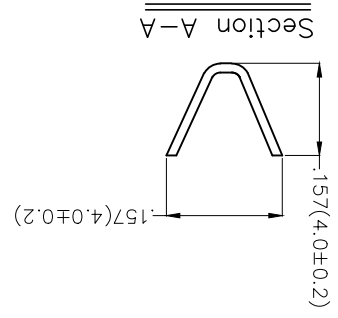


REV	LOCATIONS	DESCRIPTION	DATE	REVISER	APPD

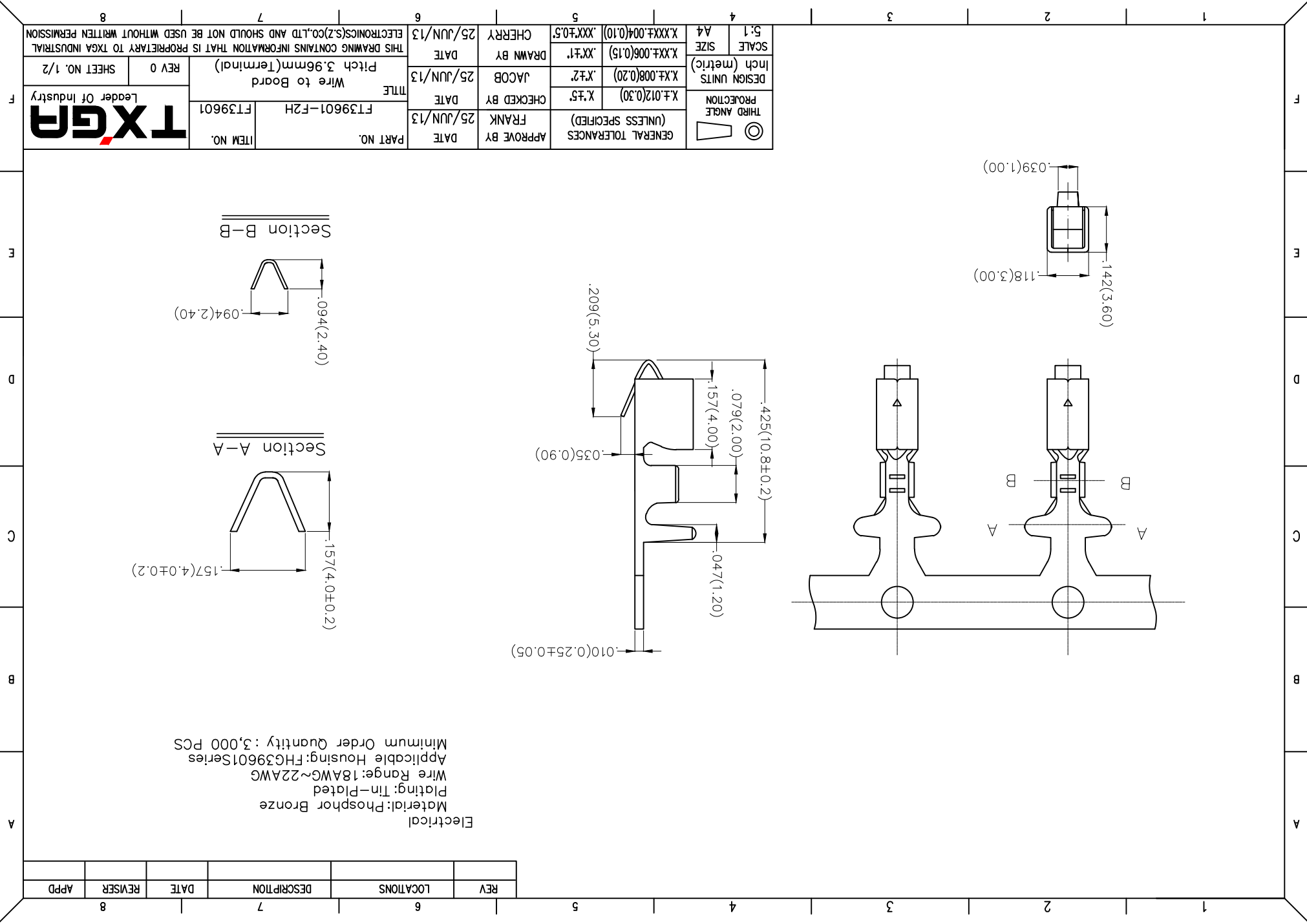
Electrical
 Material: Phosphor Bronze
 Plating: Tin-Plated
 Wire Range: 18AWG~22AWG
 Applicable Housing: FHG39601Series
 Minimum Order Quantity: 3,000 PCS



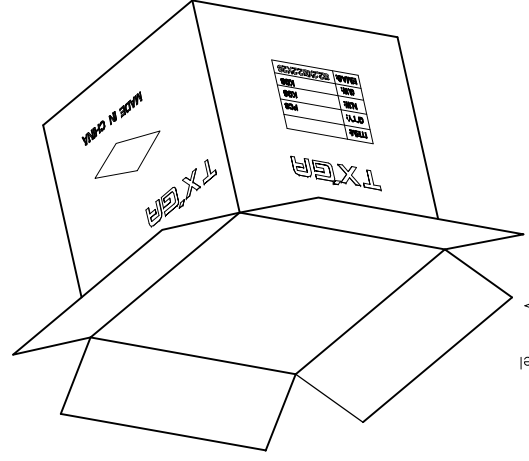
THIRD ANGLE	PROJECTION	X.±.012(0.30)
DESIGN UNITS	Inch (metric)	X.±.008(0.20)
SCALE	SIZE	X.±.006(0.15)
5:1	A4	X.XXX±.004(0.10)

GENERAL TOLERANCES	APPROVE BY	DATE	PART NO.
(UNLESS SPECIFIED)	FRANK	25/JUN/13	FT39601-F2H
	CHECKED BY	DATE	TITLE
	JACOB	25/JUN/13	Wire to Board
	DRAWN BY	DATE	Pitch 3.96mm(Terminal)
	CHEERY	25/JUN/13	REV 0

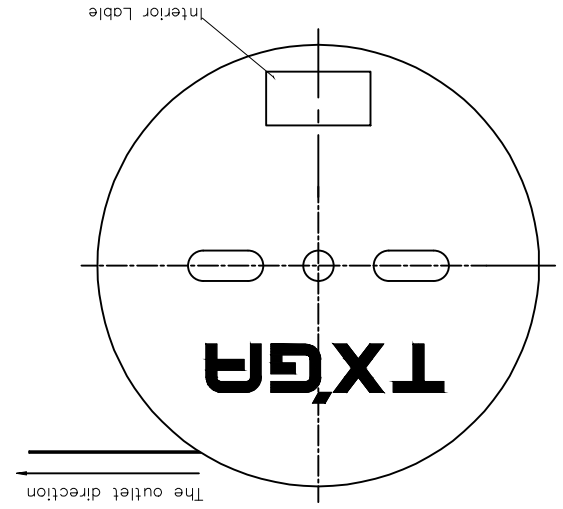
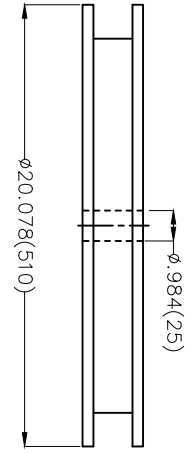
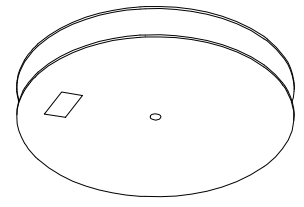
THIS DRAWING CONTAINS INFORMATION THAT IS PROPRIETARY TO TXGA INDUSTRIAL ELECTRONICS(SZ)CO.,LTD AND SHOULD NOT BE USED WITHOUT WRITTEN PERMISSION	
ITEM NO.	FT39601
Leader Of Industry	TXGA



SCALE 5:1 A4		X.XX±.004(0.10)		X.XX±.05		DRAWN BY CHERRY		DATE 25/JUN/13		THIS DRAWING CONTAINS INFORMATION THAT IS PROPRIETARY TO TXGA INDUSTRIAL ELECTRONICS(SZ)CO.,LTD AND SHOULD NOT BE USED WITHOUT WRITTEN PERMISSION	
DESIGN UNITS Inch (metric)		X.XX±.006(0.15)		.XX±.1		DRAWN BY JACOB		DATE 25/JUN/13		Pitch 3.96mm(Terminal)	
THIRD ANGLE PROJECTION		X.XX±.008(0.20)		.X±.2		CHECKED BY JACOB		DATE 25/JUN/13		TITLE Wire to Board	
GENERAL TOLERANCES (UNLESS SPECIFIED)		X.±.012(0.30)		X.±.5		FRANK		DATE 25/JUN/13		PART NO. FT39601-F2H	
						APPROVE BY		DATE 25/JUN/13		ITEM NO. FT39601	



3,000Pcs/Reel



REV	LOCATIONS	DESCRIPTION	DATE	REVISER	APPD

X-ON Electronics

Largest Supplier of Electrical and Electronic Components

Click to view similar products for [Terminals](#) category:

Click to view products by [TXGA](#) manufacturer:

Other Similar products are found below :

[HT-13-10](#) [71M-250-32-NB](#) [01-2065-1-0216](#) [00581P0075](#) [M10-10RX](#) [M10BCK](#) [60205-1](#) [604200-1](#) [60598-1-CUT-TAPE](#) [60617-1-C](#) [60873-1](#) [M14-516R/SK](#) [M14-6RSX](#) [M18-10FLX](#) [M18-8FBX](#) [M18-8R/LX](#) [M18BCK](#) [61314-6-C](#) [61-S](#) [61-SN-A](#) [62-NBM-A](#) [63-S](#) [640179-1](#) [640917-2-CUT-TAPE](#) [6501550002](#) [66107-2-C](#) [66107-4-C](#) [696683-1](#) [696834-1](#) [696861-1](#) [696931-1](#) [696999-1](#) [M8-516RK](#) [M86700006](#) [MA250DMFMX-A](#) [701-2007](#) [701-2307](#) [701-7761-03](#) [70F-110-32-PB](#) [718-N-A](#) [71M-187-20-NBL](#) [71M-250-32-NBL](#) [72F-187-20-NBL](#) [72M-250-32-NBL](#) [7310](#) [73F-250-32](#) [73F-250-32-NBL](#) [73F-250-32-NL](#) [F14-10C](#) [F-1M](#)