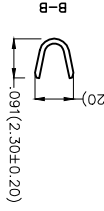
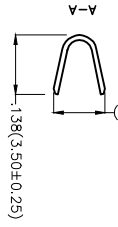
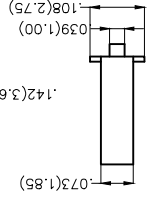
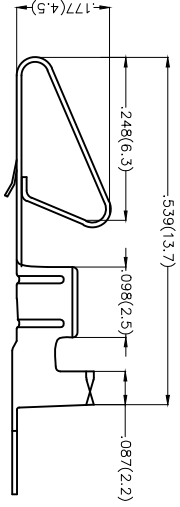
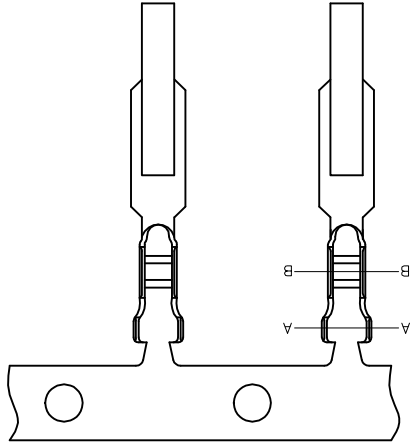


REV	LOCATIONS	DESCRIPTION	DATE	REVISER	APPD

Electrical
 Material: Phosphor Bronze
 Plating: Tin-Plated
 Wire Range: 18AWG~24AWG
 Applicable Housing: FHG39602Series
 Minimum Order Quantity: 6,000 PCS



Section A-A

Section B-B

THIRD ANGLE	PROJECTION
DESIGN UNITS	Inch (metric)
SCALE	SIZE
5:1	A4

GENERAL TOLERANCES	(UNLESS SPECIFIED)
APPROVE BY	FRANK
DATE	25/JUN/13
PART NO.	FT39603-F2H
ITEM NO.	FT39603

CHECKED BY	JACOB
DATE	25/JUN/13
TITLE	Wire to Board
WIRE TO BOARD	Pitch 3.96mm(Terminal)
REV 0	SHEET NO. 1/2

DRAWN BY	CHERRY
DATE	25/JUN/13
THIS DRAWING CONTAINS INFORMATION THAT IS PROPRIETARY TO TXGA INDUSTRIAL ELECTRONICS(SZ)CO.,LTD AND SHOULD NOT BE USED WITHOUT WRITTEN PERMISSION	



F

E

D

C

B

A

F

E

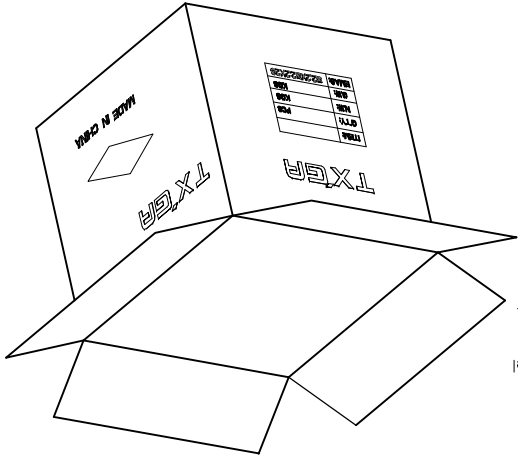
D

C

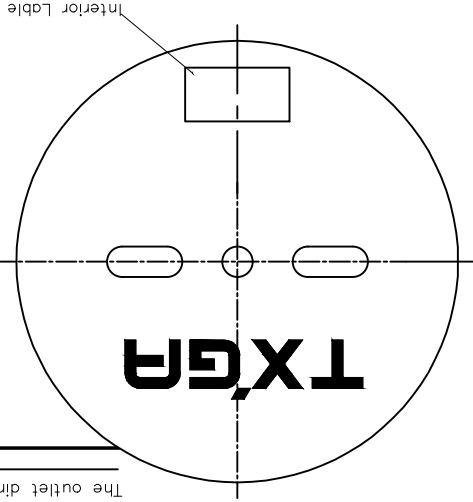
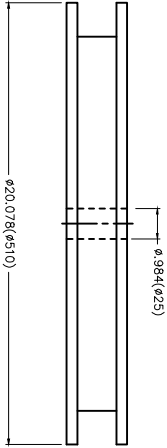
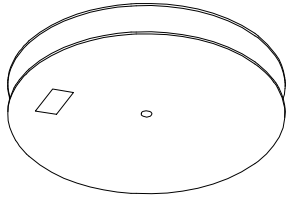
B

A

SCALE		5:1		A4		X.XXX±.004(0.10)		.XXX±0.5'	
DESIGN UNITS		Inch (metric)		X.XX±.006(0.15)		.XX±1'		DRAWN BY CHERRY	
THIRD ANGLE PROJECTION		X.X±.012(0.30)		X.X±.008(0.20)		X±.2'		DATE 25/JUN/13	
GENERAL TOLERANCES (UNLESS SPECIFIED)		FRANK		CHECKED BY JACOB		DATE 25/JUN/13		TITLE Wire to Board	
DATE 25/JUN/13		PART NO. FT39603-F2H		ITEM NO. FT39603		REV 0		SHEET NO. 2/2	
APPROVE BY		DATE		TITLE		REV 0		SHEET NO. 2/2	
FRANK		25/JUN/13		Wire to Board		REV 0		SHEET NO. 2/2	
CHECKED BY		DATE		TITLE		REV 0		SHEET NO. 2/2	
JACOB		25/JUN/13		Wire to Board		REV 0		SHEET NO. 2/2	
DRAWN BY		DATE		TITLE		REV 0		SHEET NO. 2/2	
CHERRY		25/JUN/13		Wire to Board		REV 0		SHEET NO. 2/2	
THIS DRAWING CONTAINS INFORMATION THAT IS PROPRIETARY TO TXGA INDUSTRIAL ELECTRONICS(SZ)CO.,LTD AND SHOULD NOT BE USED WITHOUT WRITTEN PERMISSION									



6,000Pcs/Reel



REV	LOCATIONS	DESCRIPTION	DATE	REVISER	APPD

X-ON Electronics

Largest Supplier of Electrical and Electronic Components

Click to view similar products for [Terminals](#) category:

Click to view products by [TXGA](#) manufacturer:

Other Similar products are found below :

[HT-13-10](#) [71M-250-32-NB](#) [01-2065-1-0216](#) [00581P0075](#) [M10-10RX](#) [M10BCK](#) [60205-1](#) [604200-1](#) [60598-1-CUT-TAPE](#) [60617-1-C](#) [60873-1](#) [M14-516R/SK](#) [M14-6RSX](#) [M18-10FLX](#) [M18-8FBX](#) [M18-8R/LX](#) [M18BCK](#) [61314-6-C](#) [61-S](#) [61-SN-A](#) [62149-1](#) [62-NBM-A](#) [63-S](#) [640179-1](#) [640917-2-CUT-TAPE](#) [6501550002](#) [66107-2-C](#) [66107-4-C](#) [696683-1](#) [696834-1](#) [696861-1](#) [696931-1](#) [696999-1](#) [M8-516RK](#) [M86700006](#) [MA250DMFMX-A](#) [701-2007](#) [701-2307](#) [701-7761-03](#) [70F-110-32-PB](#) [718-N-A](#) [71M-187-20-NBL](#) [71M-250-32-NBL](#) [72F-187-20-NBL](#) [72M-250-32-NBL](#) [7310](#) [73F-250-32](#) [73F-250-32-NBL](#) [73F-250-32-NL](#) [F-1M](#)