

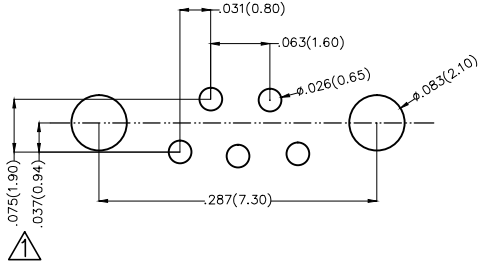
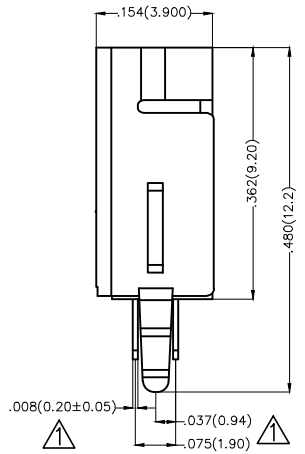
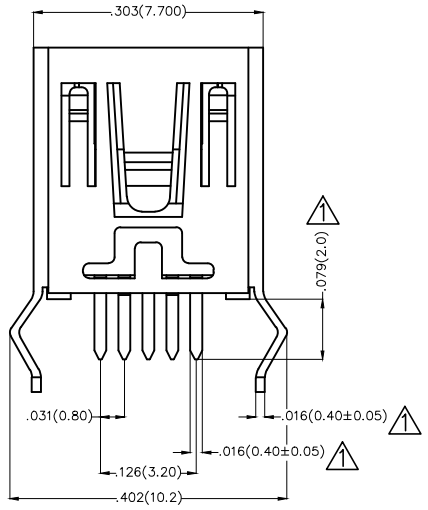
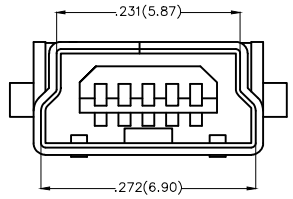
REV	LOCATIONS	DESCRIPTION	DATE	REVISER	APPD
1	▲	Add dimensions	20/DEC/18	KATE	ANDY

Electrical

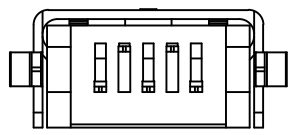
Current Rating: 1A AC(rms)/DC
Voltage Rating: 30V AC(rms)/DC
Contact Resistance: 20 mΩ Max
Insulation Resistance: 1000 MΩ MIN
Withstanding Voltage: 600V AC r.m.s
Temperature Range—Operating: -40°C ~ +85°C

Material and Plating

Housing: LCP(UL 94V-0)
Contact Pin: Phosphor Bronze
Contact Pin plating: Gold in contact area, Tin on tail.
Shell: Brass
Shell plating: Nickel plated



Recommended P.C.Board Layout



<p>THIRD ANGLE PROJECTION</p>	GENERAL TOLERANCES (UNLESS SPECIFIED)		APPROVE BY	DATE	PART NO.	ITEM NO.	<p>Leader Of Industry</p>	
	X.±.012(0.30)	X.±5°	FRANK	17JUL/13	FUS110-FDSK6K	FUS110		
	DESIGN UNITS Inch (metric)	X.X±.008(0.20)	.X'±2°	CHECKED BY	DATE	TITLE		REV 1 SHEET NO. 1/1
	SCALE	SIZE	X.XX±.006(0.15)	CHERRY	17/JUL/13	Mini USB 5Circuits 180°Vertical Female(DIP)		
5:1	A4	X.XXX±.004(0.10)	.XX'±1°	DRAWN BY	DATE	THIS DRAWING CONTAINS INFORMATION THAT IS PROPRIETARY TO TXGA INDUSTRIAL ELECTRONICS(S.Z)CO.,LTD AND SHOULD NOT BE USED WITHOUT WRITTEN PERMISSION		
		X.XXX±0.5°	JACOB	17/JUL/13				

X-ON Electronics

Largest Supplier of Electrical and Electronic Components

Click to view similar products for [USB Connectors](#) category:

Click to view products by [TXGA](#) manufacturer:

Other Similar products are found below :

[10033527-N3112MLF](#) [17-210561](#) [GMCB05B11124H1EU](#) [17-200931](#) [65-647-8-BK-BU](#) [690-010-295-484](#) [73725-1191BLF](#) [950](#) [E8144-B01021-L](#) [A-USB A-LP-SMT-C](#) [A-USB B-TOP-C](#) [MUSBA511N5](#) [MUSBB15131](#) [MUSBC111M5](#) [MUSBD11135](#) [217450-1](#) [CA 6 W LD](#)
[896-30-004-00-000000](#) [KUSBVX-BS1N-W30](#) [KUSBX-AP-KIT-SCBLK](#) [KUSBX-AS2N-W](#) [KUSBX-SMT2AP1S-W](#) [KUSBX-SMTAS1NBTR](#) [KUSBX-SMTBS1NBTR](#) [30-498-6](#) [SK-60A-2](#) [17-200261](#) [17-210051](#) [1734082-1](#) [FK-37-32SL](#) [30-1574](#) [30-470](#) [30-489](#) [30-541](#) [30-572-3](#) [30-9503](#) [M9177/2-1](#) [MAB 5 S](#) [MIKROE-1451](#) [33UBBR-04SW11R](#) [USBFTV2PEM2G](#) [USBFTVC6ZN](#) [USBFTVSCCG](#)
[KUSBX-AS2N-W30](#) [KUSBX-SLAS1N-W](#) [KUSBX-SLAS1N-W30](#) [1-1734084-2](#) [E8110-001-01](#) [MUSBC11135](#) [NK-27-32SL](#)