

REV	LOCATIONS	DESCRIPTION	DATE	REVISER	APPD

SPECIFICATIONS

Electrical

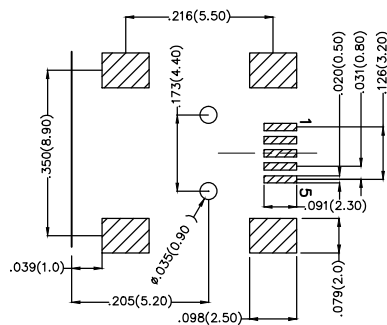
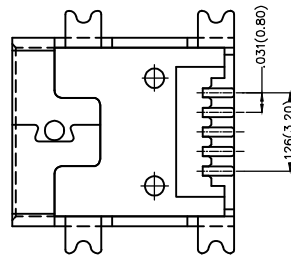
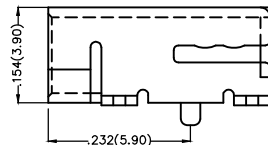
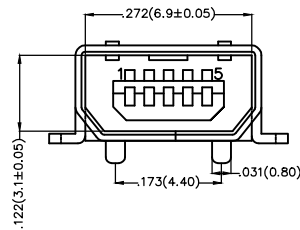
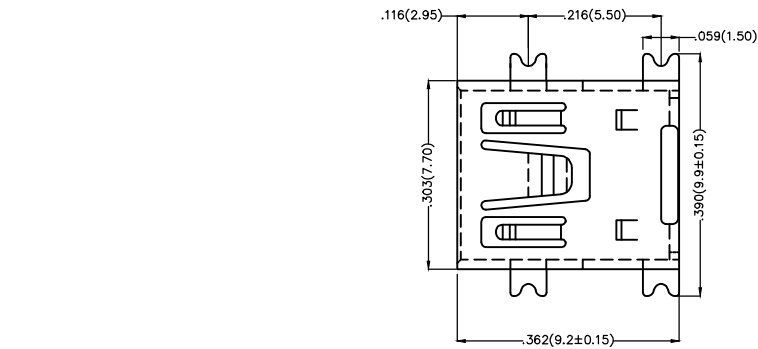
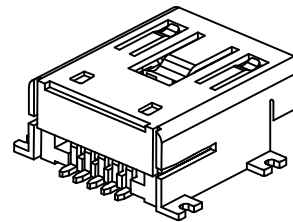
Current Rating: 1A AC(rms)/DC
Voltage Rating: 30V AC(rms)/DC
Contact Resistance: 50 mΩ Max
Insulation Resistance: 100 MΩ MIN
Withstanding Voltage: 100V AC r.m.s
Temperature Range-Operating: -40°C~+85°C

Material and Plating

Housing: LCP (UL 94V-0), Colour: Black
Contact: Phosphor Bronze/Gold Plated On Contact Area , Tin Plated On Solderails, Nickel Under Plated Over All
Shell: Copper Alloy/Nickel Plated

Pinassignment:

Pins	1	2	3	4	5
Signal name	VBUS	D-	D+	ID	GND



Recommended P.C.Board Layout

Ordering Information

FUS 1 17 — F S B K6 M
1 2 3 4 5 6 7 8

1 Series Name FUS-USB	2 Series Number 1-MINI USB	3 Distinction No. 17	4 Type F-Female
5 Assembly Layout S-SMT	6 Entry Type B-Side Entry type	7 Plastic Colour K6-Black	8 Packaging M-Reel

 THIRD ANGLE PROJECTION	GENERAL TOLERANCES (UNLESS SPECIFIED)		APPROVE BY FRANK	DATE 15/JUL/13	PART NO. FUS117-FSBK6M	ITEM NO. FUS104	 Leader Of Industry	
	DESIGN UNITS Inch (metric)	X.±.012(0.30)	X.±5'	CHECKED BY CHERRY	DATE 15/JUL/13	TITLE MINI USB AB TYPE FEMALE CONN		REV 0
SCALE 5:1	SIZE A4	X.XX±.006(0.15)	.XX±1'	DRAWN BY JACOB	DATE 15/JUL/13	THIS DRAWING CONTAINS INFORMATION THAT IS PROPRIETARY TO TXGA INDUSTRIAL ELECTRONICS(S.Z)CO.,LTD AND SHOULD NOT BE USED WITHOUT WRITTEN PERMISSION		

X-ON Electronics

Largest Supplier of Electrical and Electronic Components

Click to view similar products for [USB Connectors](#) category:

Click to view products by [TXGA](#) manufacturer:

Other Similar products are found below :

[10033527-N3112MLF](#) [17-210561](#) [GMCB05B11124H1EU](#) [17-200931](#) [65-647-8-BK-BU](#) [690-010-295-484](#) [73725-1191BLF](#) [950](#) [E8144-B01021-L](#) [A-USB A-LP-SMT-C](#) [A-USB B-TOP-C](#) [MUSBA511N5](#) [MUSBB15131](#) [MUSBC111M5](#) [MUSBD11135](#) [217450-1](#) [CA 6 W LD](#)
[896-30-004-00-000000](#) [KUSBVX-BS1N-W30](#) [KUSBX-AP-KIT-SCBLK](#) [KUSBX-AS2N-W](#) [KUSBX-SMT2AP1S-W](#) [KUSBX-SMTAS1NBTR](#) [KUSBX-SMTBS1NBTR](#) [30-498-6](#) [SK-60A-2](#) [17-200261](#) [17-210051](#) [1734082-1](#) [FK-37-32SL](#) [30-1574](#) [30-470](#) [30-489](#) [30-541](#) [30-572-3](#) [30-9503](#) [M9177/2-1](#) [MAB 5 S](#) [MIKROE-1451](#) [33UBBR-04SW11R](#) [USBFTV2PEM2G](#) [USBFTVC6ZN](#) [USBFTVSCCG](#)
[KUSBX-AS2N-W30](#) [KUSBX-SLAS1N-W](#) [KUSBX-SLAS1N-W30](#) [1-1734084-2](#) [E8110-001-01](#) [MUSBC11135](#) [NK-27-32SL](#)