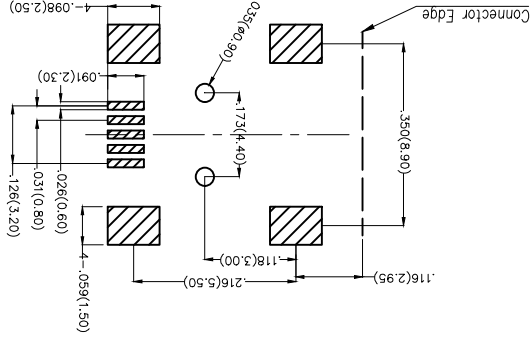
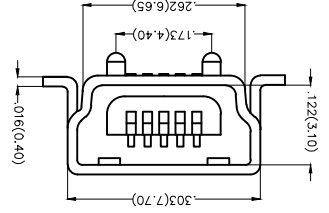
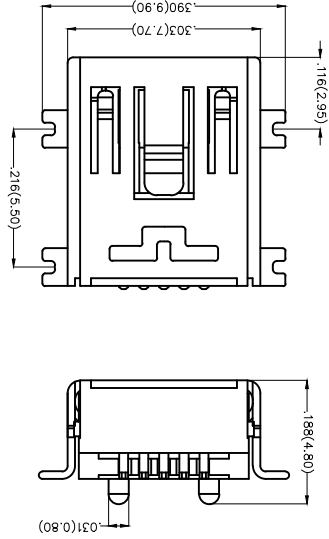
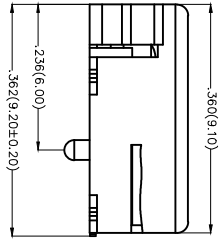
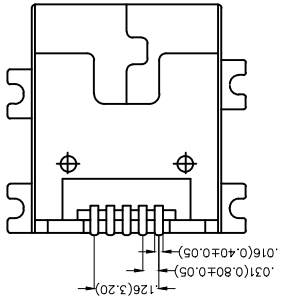


REV	LOCATIONS	DESCRIPTION	DATE	REVISER	APPD

Electrical
 Current Rating: 1A AC(rms)/DC
 Voltage Rating: 30V AC(rms)/DC
 Contact Resistance: 20 mΩ Max
 Insulation Resistance: 1000 MΩ MIN
 Withstanding Voltage: 600V AC r.m.s
 Temperature Range—Operating: -40°C~+85°C
 Material and Plating
 Housing: LCP (UL 94V-0)
 Contact Pin: Phosphor Bronze
 Plating: Selective gold in contact area, Tin on tail.



Recommended P.C. Board Layout

THIRD ANGLE PROJECTION	DESIGN UNITS Inch (metric)	SCALE 5:1 A4
------------------------	----------------------------	--------------

GENERAL TOLERANCES (UNLESS SPECIFIED)	X.±.012(0.30)	X.±.008(0.20)	X.±.006(0.15)	X.XXX±.004(0.10)	.XXX±.05
---------------------------------------	---------------	---------------	---------------	------------------	----------

APPROVE BY	DATE	CHECKED BY	DATE	DRAWN BY	DATE
FRANK	17JUL/13	CHERRY	17/JUL/13	JACOB	17/JUL/13

PART NO.	ITEM NO.	TITLE	DESCRIPTION
FUS119-FSBK6X	FUS119	Mini USB Circuits 90°Angle Female(SMT)	THIS DRAWING CONTAINS INFORMATION THAT IS PROPRIETARY TO TXGA INDUSTRIAL ELECTRONICS(SZ)CO.,LTD AND SHOULD NOT BE USED WITHOUT WRITTEN PERMISSION



1	Category	2	Series Number	3	Distinction No.	4	Type
FUS	1	19	F	S	B	K	X
5	Assembly Layout	6	Entry Angle	7	Color-Resin	8	Packaging
S-SMT	B-90° Angle	K6-Black	M-Resin	M-Reel	L-Tube	M-Reel	Packaging

Ordering Information

A B C D E F

A B C D E F

1 2 3 4 5 6 7 8

1 2 3 4 5 6 7 8

X-ON Electronics

Largest Supplier of Electrical and Electronic Components

Click to view similar products for [USB Connectors](#) category:

Click to view products by [TXGA](#) manufacturer:

Other Similar products are found below :

[10033527-N3112MLF](#) [17-210561](#) [GMCB05B11124H1EU](#) [17-200931](#) [65-647-8-BK-BU](#) [690-010-295-484](#) [73725-1191BLF](#) [950](#) [E8144-B01021-L](#) [A-USB A-LP-SMT-C](#) [A-USB B-TOP-C](#) [MUSBA511N5](#) [MUSBB15131](#) [MUSBC111M5](#) [MUSBD11135](#) [217450-1](#) [CA 6 W LD](#)
[896-30-004-00-000000](#) [KUSBVX-BS1N-W30](#) [KUSBX-AP-KIT-SCBLK](#) [KUSBX-AS2N-W](#) [KUSBX-SMT2AP1S-W](#) [KUSBX-SMTAS1NBTR](#) [KUSBX-SMTBS1NBTR](#) [30-498-6](#) [SK-60A-2](#) [17-200261](#) [17-210051](#) [1734082-1](#) [FK-37-32SL](#) [30-1574](#) [30-470](#) [30-489](#) [30-541](#) [30-572-3](#) [30-9503](#) [M9177/2-1](#) [MAB 5 S](#) [MIKROE-1451](#) [33UBBR-04SW11R](#) [USBFTV2PEM2G](#) [USBFTVC6ZN](#) [USBFTVSCCG](#)
[KUSBX-AS2N-W30](#) [KUSBX-SLAS1N-W](#) [KUSBX-SLAS1N-W30](#) [1-1734084-2](#) [E8110-001-01](#) [MUSBC11135](#) [NK-27-32SL](#)