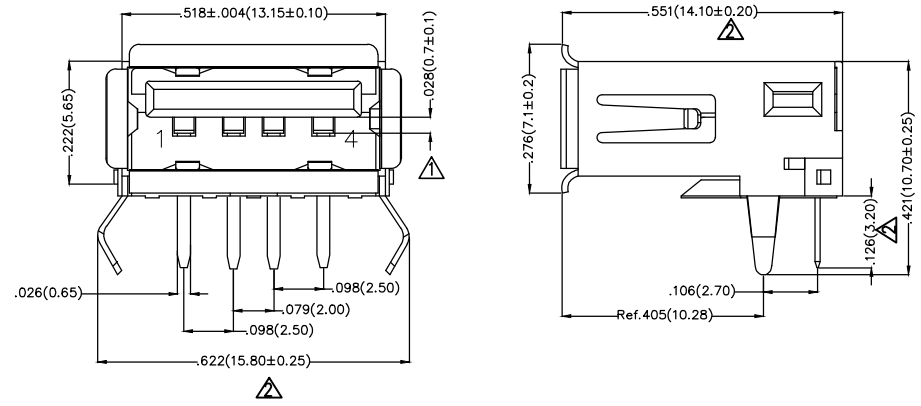


REV	LOCATIONS	DESCRIPTION	DATE	REVISER	APPD
1	△	Add dimension control	25/JUL/18	ANDY	CHERRY
2	△	Size Change	10/AUG/2020	Cherry	KATE



**Electrical**

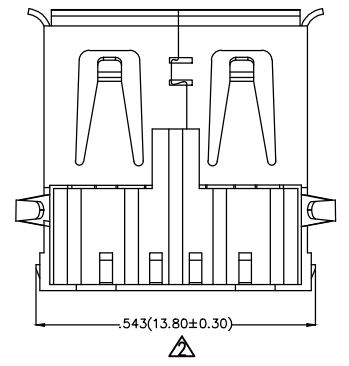
Current Rating: 1.5A AC(rms)/DC  
Voltage Rating: 30V AC(rms)/DC  
Contact Resistance: 30 mΩ Max  
Insulation Resistance: 1000 MΩ MIN  
Withstanding Voltage: 500V AC r.m.s  
Temperature Range-Operating: -40°C~+85°C

**Material and Plating**

Housing: Thermoplastic Polyesters ( UL 94V-0)  
Contact Pin: Phosphor Bronze  
Plating: Gold in contact area, Tin on tail.  
Shell: Copper Alloy/ Nickel plated

**Pinassignment:**

Pins	Signal name
PIN 1	VBUS
PIN 2	D-
PIN 3	D+
PIN 4	GND

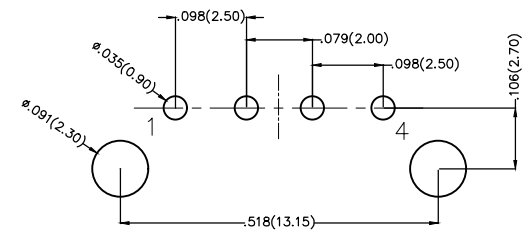


**Ordering Informaion**


FUS 2 02 - F D B XX K  
1 2 3 4 5 6 7 8

1 | Category | 2 | Series Number | 3 | Distinction No. | 4 | Type  
| FUS-USB | | 2-USB 2.0 | | 02 | | F-Female

5 | Assembly Layout | 6 | Entry Angle | 7 | Color-Resin | 8 | Packaging  
| D-DIP | | B-90° Angle | | K6-Black  
| | | | | W3-White | | K-Tray



**Recommended P.C.Board Layout**  
Tolerances: ±.002(0.05)

THIRD ANGLE PROJECTION		GENERAL TOLERANCES (UNLESS SPECIFIED)		APPROVE BY	DATE	PART NO.	ITEM NO.	 Leader Of Industry
DESIGN UNITS Inch (metric)	SCALE 5:1	SIZE A4	X.±.012(0.30)	X.±5'	FRANK	21/JUN/13	FUS202-FDBXXK	
			X.X±.008(0.20)	.X'±2'	CHECKED BY	DATE	TITLE	
			X.XX±.006(0.15)	.XX±1'	CHERRY	21/JUN/13	USB A-type 4Circuits 90°Angle Female(DIP)	
			X.XXX±.004(0.10)	.XXX±0.5'	DRAWN BY	DATE	THIS DRAWING CONTAINS INFORMATION THAT IS PROPRIETARY TO TXGA INDUSTRIAL ELECTRONICS(S.Z)CO.,LTD AND SHOULD NOT BE USED WITHOUT WRITTEN PERMISSION	
				JACOB	21/JUN/13			REV 2   SHEET NO. 1/1

## X-ON Electronics

Largest Supplier of Electrical and Electronic Components

*Click to view similar products for [USB Connectors](#) category:*

*Click to view products by [TXGA](#) manufacturer:*

Other Similar products are found below :

[950](#) [A-USB B-TOP-C](#) [MUSBA511N5](#) [MUSBC111M5](#) [MUSBD11135](#) [17-200721](#) [217450-1](#) [KMBVX-TH-5S-B30](#) [896-30-004-00-000000](#)  
[KUSBX-AS2N-W](#) [KUSBX-SMT2AP1S-W30](#) [935](#) [957](#) [30-498-6](#) [SK-60A-2](#) [1734082-1](#) [30-1574](#) [30-470](#) [30-489](#) [30-541](#) [30-572-3](#) [A-USB](#)  
[A-2P-C](#) [MIKROE-1451](#) [USBFTV2PEM2G](#) [USBFTVSCCG](#) [4689-1](#) [1-1734084-2](#) [MUSBC11135](#) [USBF21ZNSCC](#) [USBBFTV6ZC](#)  
[MUSBB151341](#) [10135326-001LF](#) [M9177/3-1](#) [TJ-105](#) [USB-A-S-F-B-VT](#) [4198](#) [690-024-633-031](#) [UB-20PMFP-LC7001](#) [USBFTVC6MRG](#)  
[UA-20BMFA-SL8001](#) [17-200011](#) [USBFTVC7ZC](#) [UB-20AFMM-LL7A01](#) [USBFTVC2MN](#) [CAP-WCCMLPB1](#) [1310-1031-01](#) [2041386-1](#)  
[2274475-3](#) [UB-20BMFA-SL8001](#) [UB-20PMFP-SC8003](#)