

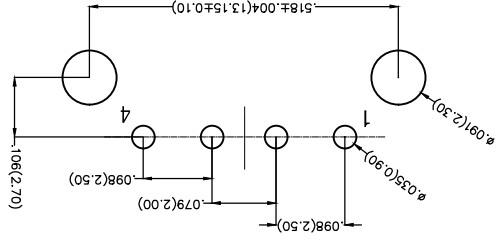
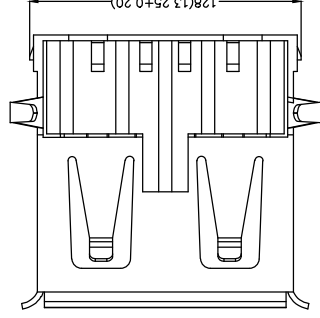
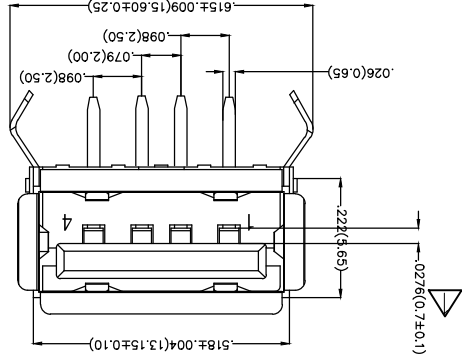
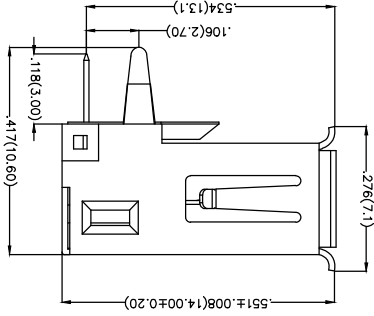
REV	LOCATIONS	DESCRIPTION	DATE	REVISER	APPD
↓		Add dimension control	25/JUL/18	ANDY	CHEERY

**Electrical**  
 Current Rating: 1.5A AC(rms)/DC  
 Voltage Rating: 30V AC(rms)/DC  
 Contact Resistance: 30 mΩ Max  
 Insulation Resistance: 1000 MΩ MIN  
 Withstanding Voltage: 500V AC r.m.s  
 Temperature Range—Operating: -40°C~+85°C  
 Material and Plating  
 Housing: Thermoplastic Polyesters ( UL 94V-0)  
 Contact Pin: Phosphor Bronze  
 Plating: Gold in contact area, Tin on tail.  
 Shell: Copper Alloy/ Nickel plated

Pin assignment:

Pins	Signal name
PIN 1	+5V
PIN 2	DATA-
PIN 3	DATA+
PIN 4	-5V

Ordering Information  
 FUS 2 02 - F D B XX K  
 1 Category 2 Series Number 3 Distinction No. 4 Type  
 5 Assembly Layout 6 Entry Angle 7 Color-Resin 8 Packaging



THIRD ANGLE PROJECTION	DESIGN UNITS	SCALE	5:1	A4
GENERAL TOLERANCES (UNLESS SPECIFIED)	X.±.012(0.30)	X.XX±.006(0.15)	X.XX±.004(0.10)	X.XX±.0.5
APPROVE BY	DATE	CHECKED BY	DATE	DRAWN BY
FRANK	21/JUN/13	CHEERY	21/JUN/13	JACOB
DATE	PART NO.	TITLE	THIS DRAWING CONTAINS INFORMATION THAT IS PROPRIETARY TO TXGA INDUSTRIAL ELECTRONICS(Z)CO.,LTD AND SHOULD NOT BE USED WITHOUT WRITTEN PERMISSION	
21/JUN/13	FUS202-FDBXXK	USB A-type Circuits 90°Angle Female(DIP)	REV 1	SHEET NO. 1/1
ITEM NO.	Leader Of Industry			
FUS202	<b>TXGA</b>			

1	Category	2	Series Number	3	Distinction No.	4	Type
5	Assembly Layout	6	Entry Angle	7	Color-Resin	8	Packaging
	D-DIP		B-90° Angle		W3-White		K-Tray

## X-ON Electronics

Largest Supplier of Electrical and Electronic Components

*Click to view similar products for [USB Connectors](#) category:*

*Click to view products by [TXGA](#) manufacturer:*

Other Similar products are found below :

[10033527-N3112MLF](#) [17-210561](#) [GMCB05B11124H1EU](#) [17-200931](#) [65-647-8-BK-BU](#) [690-010-295-484](#) [73725-1191BLF](#) [950](#) [E8144-B01021-L](#) [A-USB A-LP-SMT-C](#) [A-USB B-TOP-C](#) [MUSBA511N5](#) [MUSBB15131](#) [MUSBC111M5](#) [MUSBD11135](#) [217450-1](#) [CA 6 W LD](#)  
[896-30-004-00-000000](#) [KUSBVX-BS1N-W30](#) [KUSBX-AP-KIT-SCBLK](#) [KUSBX-AS2N-W](#) [KUSBX-SMT2AP1S-W](#) [KUSBX-SMTAS1NBTR](#) [KUSBX-SMTBS1NBTR](#) [30-498-6](#) [SK-60A-2](#) [17-200261](#) [17-210051](#) [1734082-1](#) [FK-37-32SL](#) [30-1574](#) [30-470](#) [30-489](#) [30-541](#) [30-572-3](#) [30-9503](#) [M9177/2-1](#) [MAB 5 S](#) [MIKROE-1451](#) [33UBBR-04SW11R](#) [USBFTV2PEM2G](#) [USBFTVC6ZN](#) [USBFTVSCCG](#)  
[KUSBX-AS2N-W30](#) [KUSBX-SLAS1N-W](#) [KUSBX-SLAS1N-W30](#) [1-1734084-2](#) [E8110-001-01](#) [MUSBC11135](#) [NK-27-32SL](#)