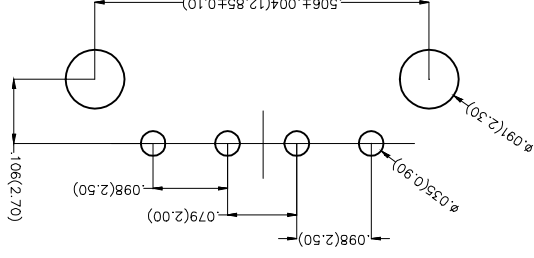
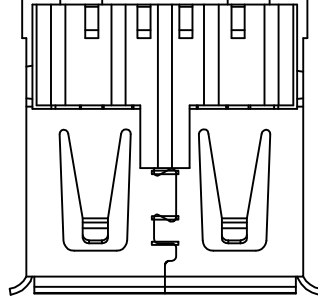
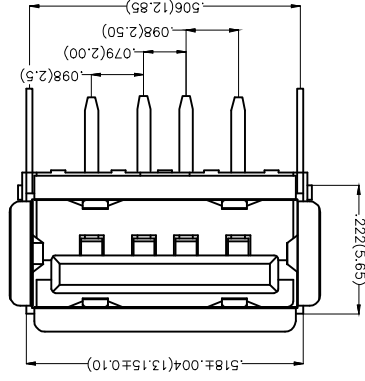
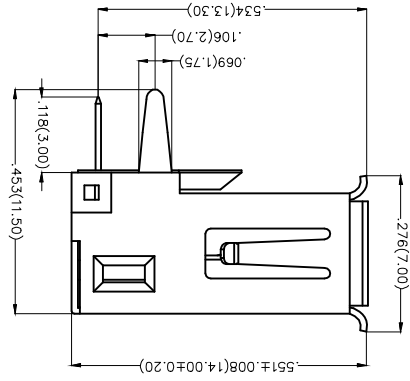


REV	LOCATIONS	DESCRIPTION	DATE	REVISER	APPD

### SPECIFICATIONS

**Electrical**  
 Current Rating: 1.0A AC(rms)/DC  
 Contact Resistance(Initial): 20 mΩ Max  
 Withstanding Voltage: 600V AC r.m.s  
 Insulation Resistance: 1000 MΩ MIN  
 Temperature Range-Operating: -40°C~+85°C  
**Material**  
 Housing: NY66 UL 94V-0  
 Contact: Phosphor Bronze/ Gold in contact area, Tin on tail.  
 Shell: Copper alloy/ Nickel Plated



### Recommended P.C.Board Layout

THIRD ANGLE PROJECTION	GENERAL TOLERANCES (UNLESS SPECIFIED)	APPROVE BY	DATE	PART NO.	ITEM NO.
	X.±.012(0.30)	FRANK	25/MAY/13	FUS230-FDBXKK	FUS230
DESIGN UNITS	X.X±.008(0.20)	CHECKED BY	DATE	TITLE	
Inch (metric)	X.X±.008(0.20)	CHERRY	25/MAY/13	USB A-Type Female	4Circuits 90°Angle Female
SCALE	X.XX±.006(0.15)	DRAWN BY	DATE		
5:1	X.XX±.004(0.10)	KEVIN	25/MAY/13		
A4	X.XX±.004(0.10)				

THIS DRAWING CONTAINS INFORMATION THAT IS PROPRIETARY TO TXGA INDUSTRIAL ELECTRONICS(Z)CO.,LTD AND SHOULD NOT BE USED WITHOUT WRITTEN PERMISSION  
 SHEET NO. 1/1  
 REV 0  
**TXGA**  
 Leader Of Industry

### Ordering Information

1	FUS	2	30	-	F	D	B	XX	K
1	Category	2	Series Number	3	Distinction No.	4	Type	5	Assembly Layout
2	FUS-USB	2	2-USB 2.0	3	30	4	F-Female	5	D-DIP
3								6	B-90° Angle
4								7	Color-Resin
5								8	W1-White
6									K-Black
7									K-Tray
8									

A

B

C

D

E

F

F

E

D

C

B

A

8

7

6

5

4

3

2

1

8

7

6

5

4

3

2

1

## X-ON Electronics

Largest Supplier of Electrical and Electronic Components

*Click to view similar products for [USB Connectors](#) category:*

*Click to view products by [TXGA](#) manufacturer:*

Other Similar products are found below :

[10033527-N3112MLF](#) [17-210561](#) [GMCB05B11124H1EU](#) [17-200931](#) [65-647-8-BK-BU](#) [690-010-295-484](#) [73725-1191BLF](#) [950](#) [E8144-B01021-L](#) [A-USB A-LP-SMT-C](#) [A-USB B-TOP-C](#) [MUSBA511N5](#) [MUSBB15131](#) [MUSBC111M5](#) [MUSBD11135](#) [217450-1](#) [CA 6 W LD](#)  
[896-30-004-00-000000](#) [KUSBVX-BS1N-W30](#) [KUSBX-AP-KIT-SCBLK](#) [KUSBX-AS2N-W](#) [KUSBX-SMT2AP1S-W](#) [KUSBX-SMTAS1NBTR](#) [KUSBX-SMTBS1NBTR](#) [30-498-6](#) [SK-60A-2](#) [17-200261](#) [17-210051](#) [1734082-1](#) [FK-37-32SL](#) [30-1574](#) [30-470](#) [30-489](#) [30-541](#) [30-572-3](#) [30-9503](#) [M9177/2-1](#) [MAB 5 S](#) [MIKROE-1451](#) [33UBBR-04SW11R](#) [USBFTV2PEM2G](#) [USBFTVC6ZN](#) [USBFTVSCCG](#)  
[KUSBX-AS2N-W30](#) [KUSBX-SLAS1N-W](#) [KUSBX-SLAS1N-W30](#) [1-1734084-2](#) [E8110-001-01](#) [MUSBC11135](#) [NK-27-32SL](#)